

Case Conveyor Chain 600 Series CC600 P Plastic - FLEXON

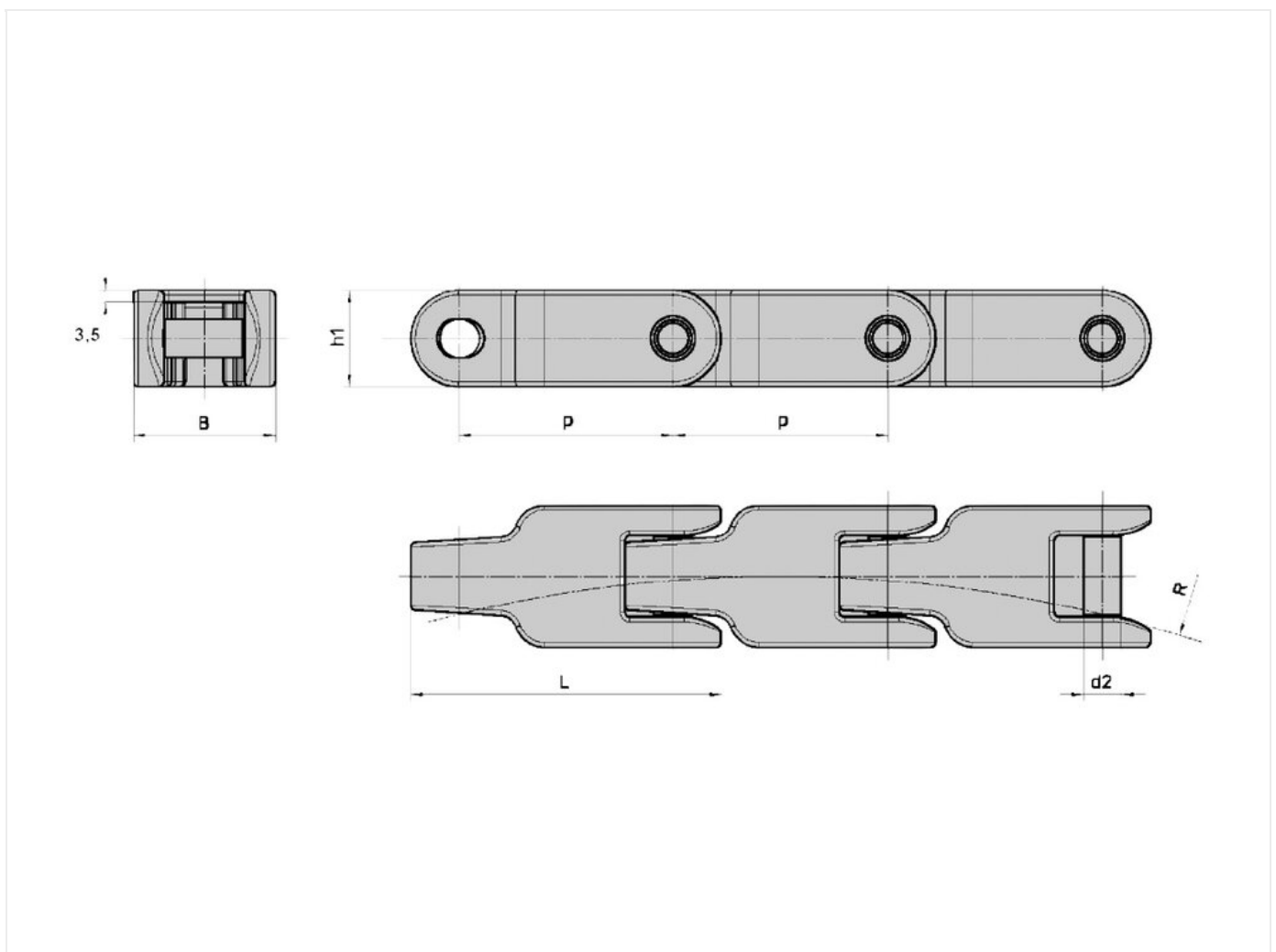
Part no.: 81016778

Packaging Unit: 3,048m

Brand: FLEXON

Model: Series CC600 P TAB

Surface: Plastic



Technical data

FLAT TOP CHAIN	600
Pin diameter d2 max. (mm)	11
Weight per meter (kg)	1,42
Chain material	POM

Pin material	Stainless steel
Average breaking load (N)	14000

Product Information

Case conveyor chains are suitable for many applications with harsh environmental conditions. They are available in plastic, steel or stainless steel. You can rely on the cast steel chain C600 to deal with the toughest traction applications and move the heaviest loads. The chain's simple yet robust cast steel design makes it an economical and highly resilient partner for the most rugged conditions and over long distances.

Highlights:

- Case conveyor chain for food industry, washing machines
- Reversible operation possible
- Special materials available on request (minimum order quantities)

Applications

- Conveyor technology

REQUEST DIRECTLY ONLINE NOW

<https://www.iwis.com/en-en/products-services/case-conveyor-chain-600-series-cc600-p-plastic-flexon~p9503>

Useful information

CALCULATION PROGRAM

InduKet: the Chain Drive Calculation Program for Engineers.

[iwis.com/chaincalc](https://www.iwis.com/chaincalc)

CHAIN CALCULATION

The right drive solution for your challenge.

chaindrive@iwis.com

SERVICES

ChainFinder, CAD data, iwis Chain Handbook and more.

[iwis.com/services](https://www.iwis.com/services)