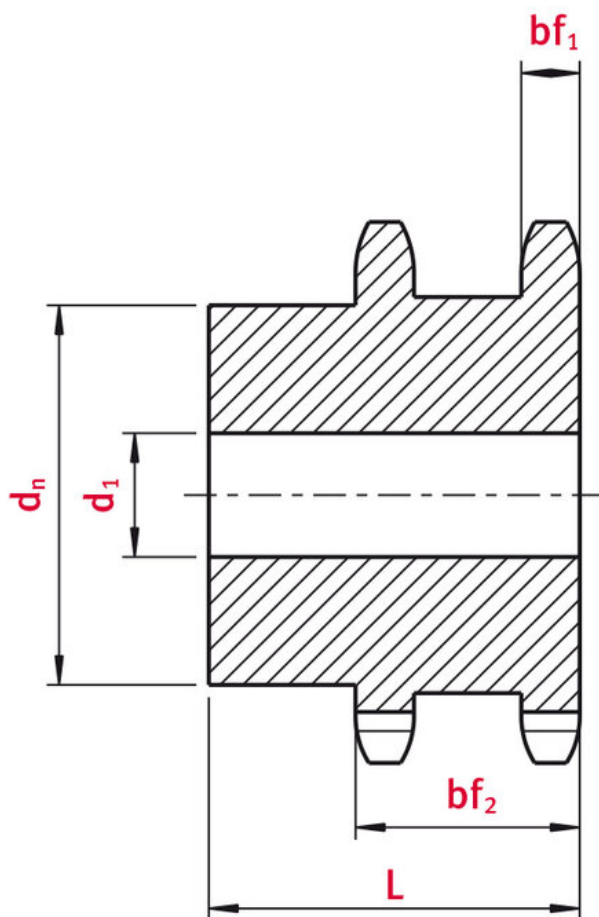


## sprocket ES2-1-48-28 accumulation chain type ES2-1-48-28

Part no.: I38ca1981bb06

Model: accumulation chain type ES2-1-48-28



### Technical data

SPROCKET	ES2-1-48-28
Teeth	17
Tooth width simplex bf1 (mm)	10,9
Total tooth width bf2 (mm)	42,4

Tip circle dk (mm)	111,5
Pilot bore d1 (mm)	20
Total length L (mm)	56
Hub	71

## Product Information

Sprockets for accumulation conveyor chains are used in conveyor systems. The sprockets are optimally matched to the accumulation conveyor chains. iwis accumulation chains have idler rollers on both sides that serve two purposes: firstly, they engage with the sprocket teeth to transmit power, and secondly, they support the chain in the profile.

**REQUEST DIRECTLY ONLINE NOW**

<https://www.iwis.com/en-en/products-services/sprocket-es2-1-48-28-accumulation-chain-type-es2-1-48-28~p8747>

## Useful information

### CALCULATION PROGRAM

InduKet: the Chain Drive Calculation Program for Engineers.

[iwis.com/chaincalc](https://www.iwis.com/chaincalc)

### CHAIN CALCULATION

The right drive solution for your challenge.

[chaindrive@iwis.com](mailto:chaindrive@iwis.com)

### SERVICES

ChainFinder, CAD data, iwis Chain Handbook and more.

[iwis.com/services](https://www.iwis.com/services)