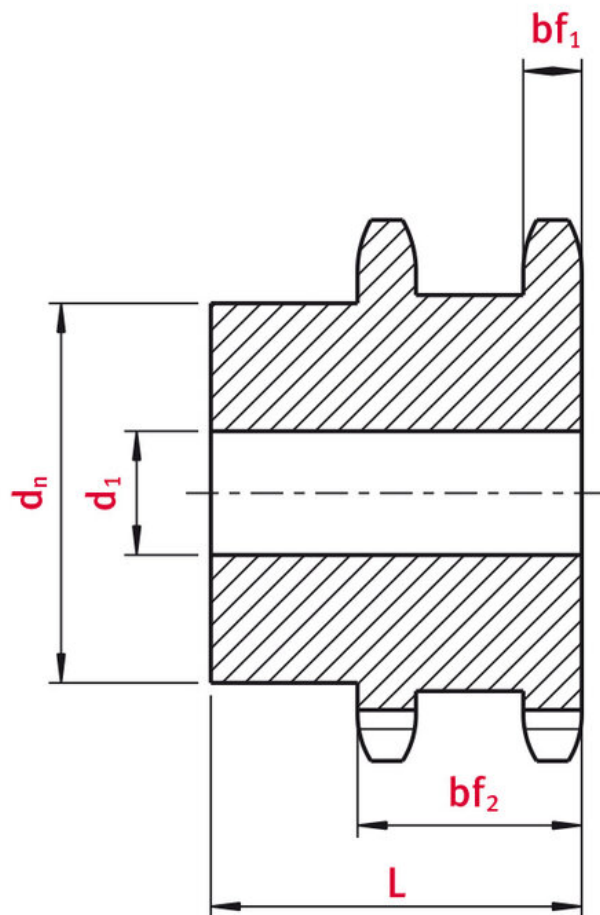


sprocket 16B-1 Duplex sprocket 17 teeth

Part no.: I45ec6c23c5f1

Model: Duplex sprocket 17 teeth



Technical data

| | |
|------------------------------|-------|
| SPROCKET | 16B-1 |
| Teeth | 17 |
| Tooth width simplex bf1 (mm) | 15,8 |
| Total tooth width bf2 (mm) | 55 |

| | |
|---------------------|-----|
| Tip circle dk (mm) | 148 |
| Pilot bore d1 (mm) | 25 |
| Total length L (mm) | 80 |
| Hub | 112 |

Product Information

Duplex sprockets for the simultaneous use of two simplex roller chains. Not suitable for double chains (duplex chains).

REQUEST DIRECTLY ONLINE NOW

<https://www.iwis.com/en-en/products-services/sprocket-16b-1-duplex-sprocket-17-teeth~p8739>

Useful information

CALCULATION PROGRAM

InduKet: the Chain Drive Calculation Program for Engineers.

[iwis.com/chaincalc](https://www.iwis.com/chaincalc)

CHAIN CALCULATION

The right drive solution for your challenge.

chaindrive@iwis.com

SERVICES

ChainFinder, CAD data, iwis Chain Handbook and more.

[iwis.com/services](https://www.iwis.com/services)