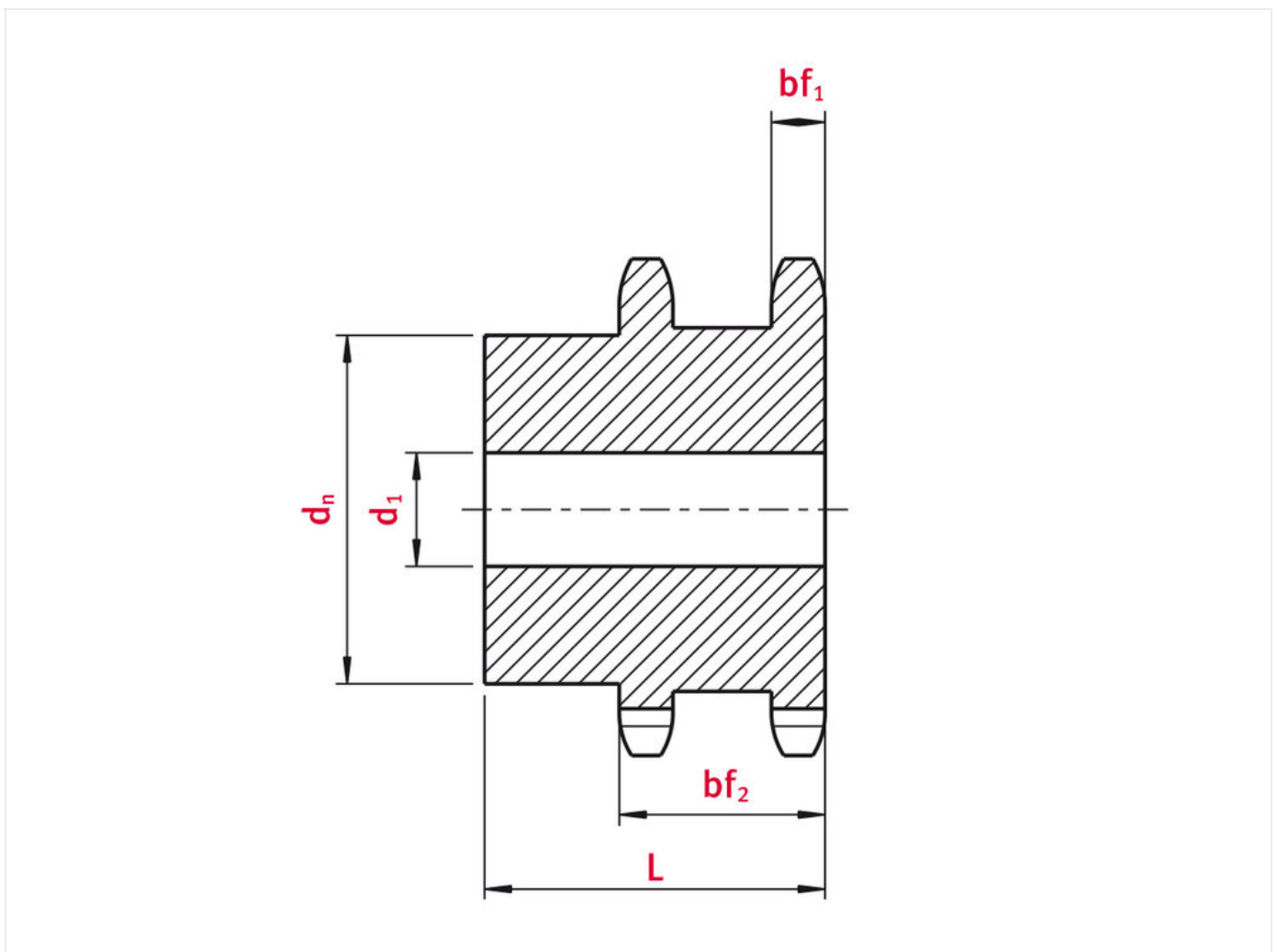


## sprocket 16B-1 Duplex sprocket 15 teeth

Part no.: Id886c79f13f6

Model: Duplex sprocket 15 teeth



### Technical data

SPROCKET	16B-1
Teeth	15
Tooth width simplex bf1 (mm)	15,8
Total tooth width bf2 (mm)	55

Tip circle dk (mm)	132
Pilot bore d1 (mm)	25
Total length L (mm)	80
Hub	96

## Product Information

Duplex sprockets for the simultaneous use of two simplex roller chains. Not suitable for double chains (duplex chains).

**REQUEST DIRECTLY ONLINE NOW**

<https://www.iwis.com/en-en/products-services/sprocket-16b-1-duplex-sprocket-15-teeth~p8738>

## Useful information

### **CALCULATION PROGRAM**

InduKet: the Chain Drive Calculation Program for Engineers.

[iwis.com/chaincalc](https://www.iwis.com/chaincalc)

### **CHAIN CALCULATION**

The right drive solution for your challenge.

[chaindrive@iwis.com](mailto:chaindrive@iwis.com)

### **SERVICES**

ChainFinder, CAD data, iwis Chain Handbook and more.

[iwis.com/services](https://www.iwis.com/services)