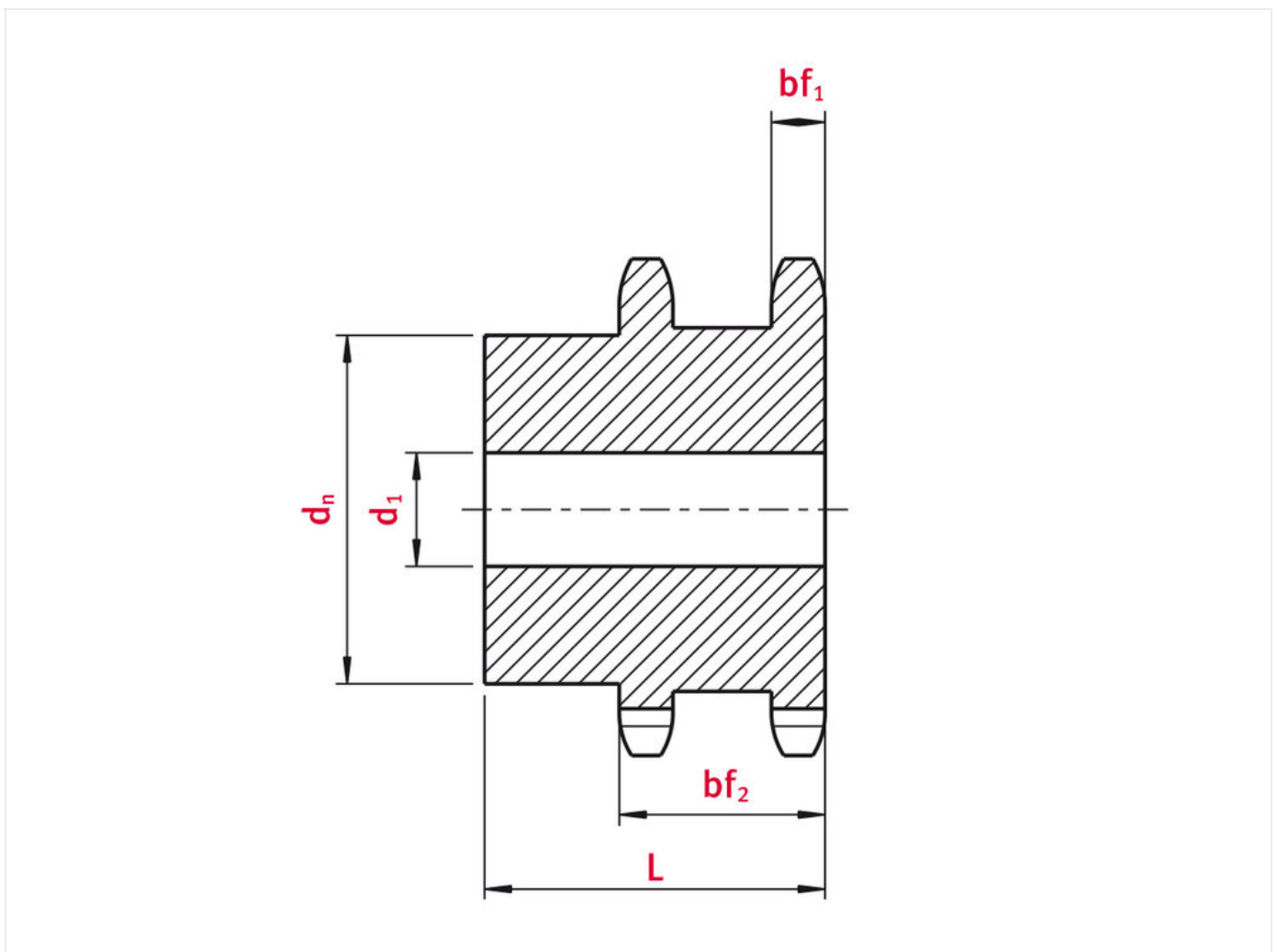


sprocket 16B-1 Duplex sprocket 13 teeth

Part no.: I792700ad7771

Model: Duplex sprocket 13 teeth



Technical data

SPROCKET	16B-1
Teeth	13
Tooth width simplex bf1 (mm)	15,8
Total tooth width bf2 (mm)	55

Tip circle dk (mm)	116
Pilot bore d1 (mm)	25
Total length L (mm)	80
Hub	80

Product Information

Duplex sprockets for the simultaneous use of two simplex roller chains. Not suitable for double chains (duplex chains).

REQUEST DIRECTLY ONLINE NOW

<https://www.iwis.com/en-en/products-services/sprocket-16b-1-duplex-sprocket-13-teeth~p8737>

Useful information

CALCULATION PROGRAM

InduKet: the Chain Drive Calculation Program for Engineers.

[iwis.com/chaincalc](https://www.iwis.com/chaincalc)

CHAIN CALCULATION

The right drive solution for your challenge.

chaindrive@iwis.com

SERVICES

ChainFinder, CAD data, iwis Chain Handbook and more.

[iwis.com/services](https://www.iwis.com/services)