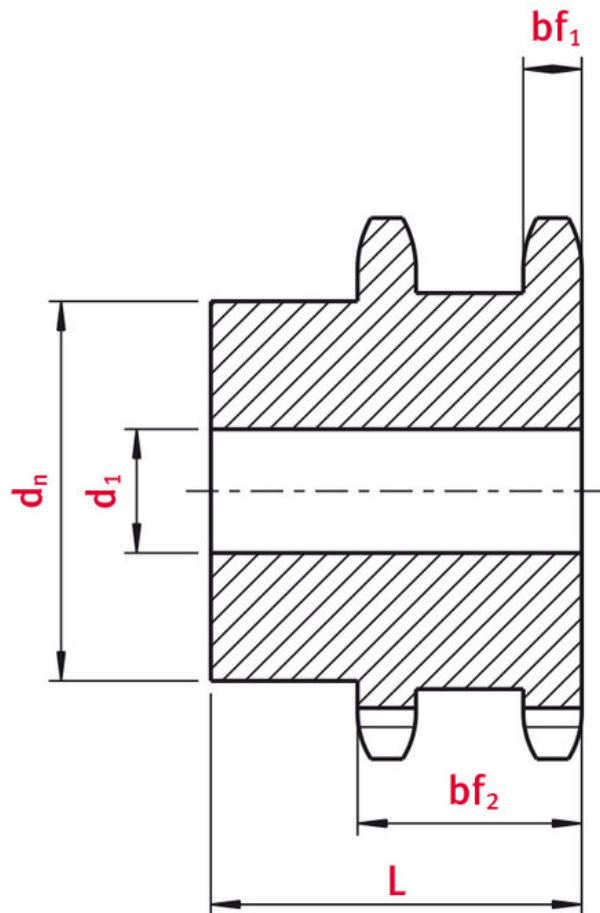


sprocket 12B-1 Duplex sprocket 19 teeth

Part no.: I3bb7cd71bfdb

Model: Duplex sprocket 19 teeth



Technical data

SPROCKET	12B-1
Teeth	19
Tooth width simplex bf1 (mm)	10,8
Total tooth width bf2 (mm)	38

Tip circle dk (mm)	123
Pilot bore d1 (mm)	20
Total length L (mm)	60
Hub	95

Product Information

Duplex sprockets for the simultaneous use of two simplex roller chains. Not suitable for double chains (duplex chains).

REQUEST DIRECTLY ONLINE NOW

<https://www.iwis.com/en-en/products-services/sprocket-12b-1-duplex-sprocket-19-teeth~p8735>

Useful information

CALCULATION PROGRAM

InduKet: the Chain Drive Calculation Program for Engineers.

[iwis.com/chaincalc](https://www.iwis.com/chaincalc)

CHAIN CALCULATION

The right drive solution for your challenge.

chaindrive@iwis.com

SERVICES

ChainFinder, CAD data, iwis Chain Handbook and more.

[iwis.com/services](https://www.iwis.com/services)