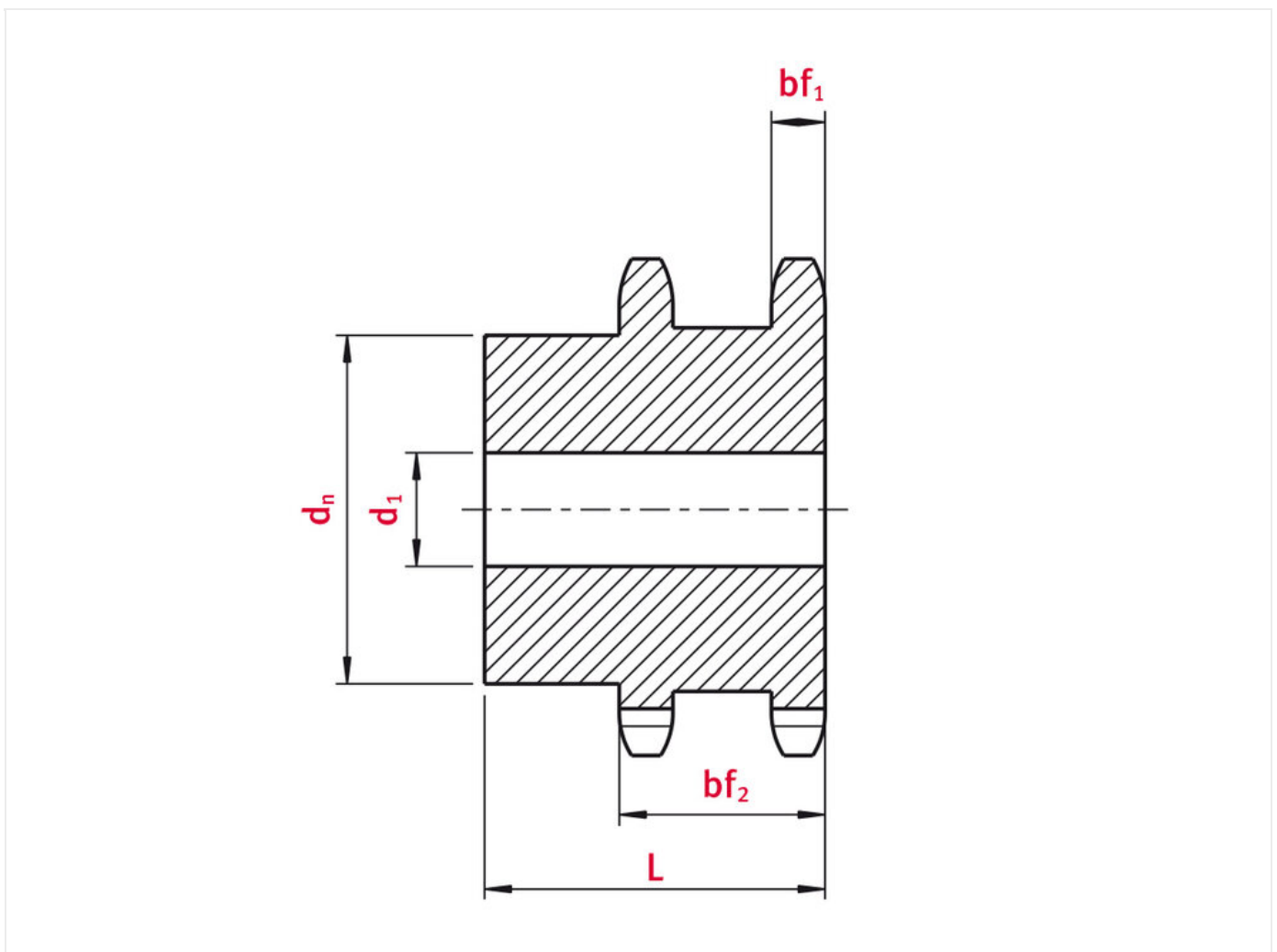


sprocket 10B-1 Duplex sprocket 15 teeth

Part no.: I7737b557840d

Model: Duplex sprocket 15 teeth



Technical data

SPROCKET	10B-1
Teeth	15
Tooth width simplex bf1 (mm)	9
Total tooth width bf2 (mm)	36

Tip circle dk (mm)	83
Pilot bore d1 (mm)	20
Total length L (mm)	53
Hub	59

Product Information

Duplex sprockets for the simultaneous use of two simplex roller chains. Not suitable for double chains (duplex chains).

REQUEST DIRECTLY ONLINE NOW

<https://www.iwis.com/en-en/products-services/sprocket-10b-1-duplex-sprocket-15-teeth~p8729>

Useful information

CALCULATION PROGRAM

InduKet: the Chain Drive Calculation Program for Engineers.

[iwis.com/chaincalc](https://www.iwis.com/chaincalc)

CHAIN CALCULATION

The right drive solution for your challenge.

chaindrive@iwis.com

SERVICES

ChainFinder, CAD data, iwis Chain Handbook and more.

[iwis.com/services](https://www.iwis.com/services)