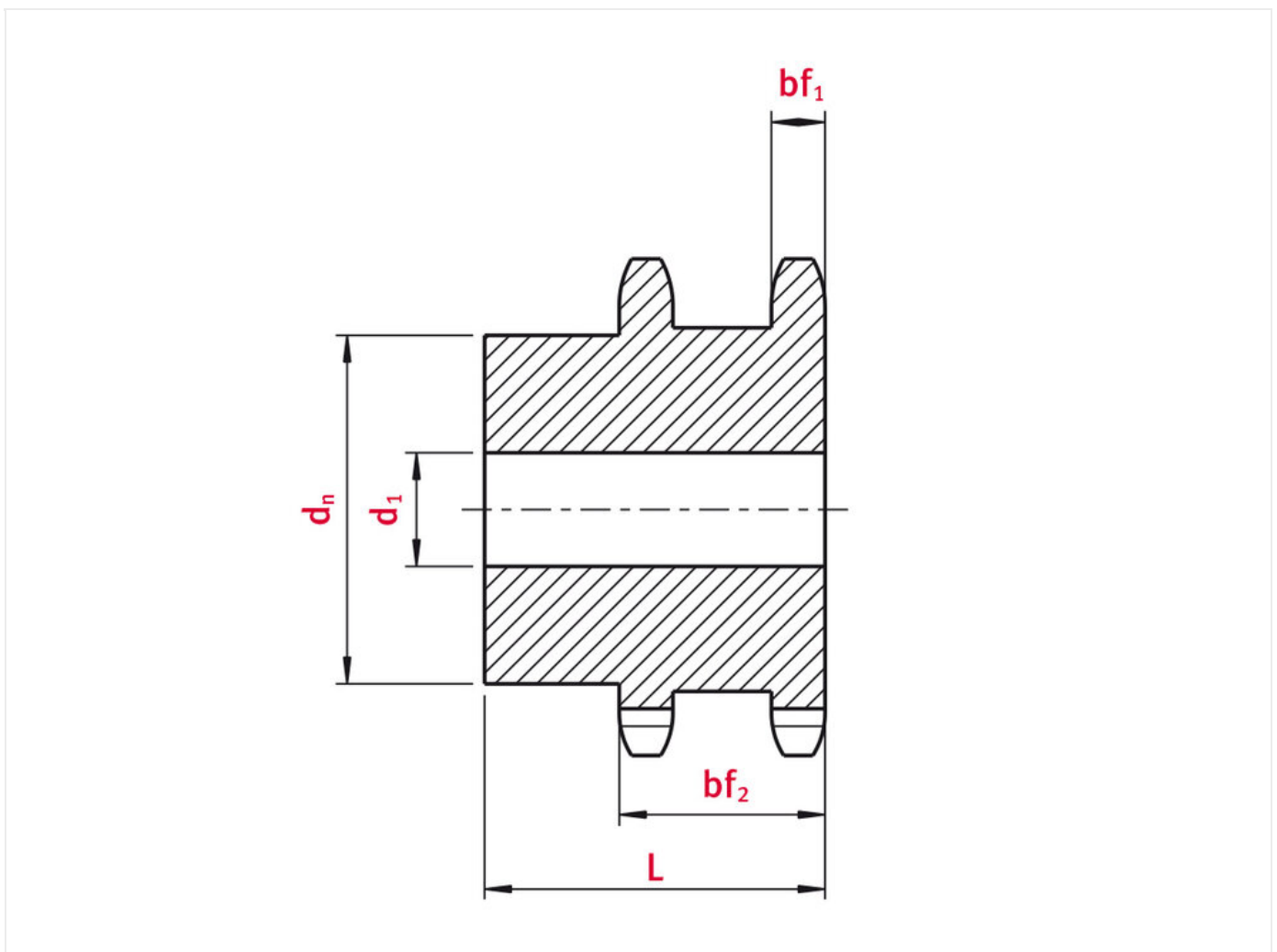


sprocket 08B-1 Duplex sprocket 19 teeth

Part no.: lb93d7befe0bb

Model: Duplex sprocket 19 teeth



Technical data

SPROCKET	08B-1
Teeth	19
Tooth width simplex bf1 (mm)	7
Total tooth width bf2 (mm)	28

Tip circle dk (mm)	81,5
Pilot bore d1 (mm)	15
Total length L (mm)	44
Hub	62

Product Information

Duplex sprockets for the simultaneous use of two simplex roller chains. Not suitable for double chains (duplex chains).

REQUEST DIRECTLY ONLINE NOW

<https://www.iwis.com/en-en/products-services/sprocket-08b-1-duplex-sprocket-19-teeth~p8726>

Useful information

CALCULATION PROGRAM

InduKet: the Chain Drive Calculation Program for Engineers.

[iwis.com/chaincalc](https://www.iwis.com/chaincalc)

CHAIN CALCULATION

The right drive solution for your challenge.

chaindrive@iwis.com

SERVICES

ChainFinder, CAD data, iwis Chain Handbook and more.

[iwis.com/services](https://www.iwis.com/services)