

Plate Top Chain 1873 Series 1873, hardened carbon steel - FLEXON

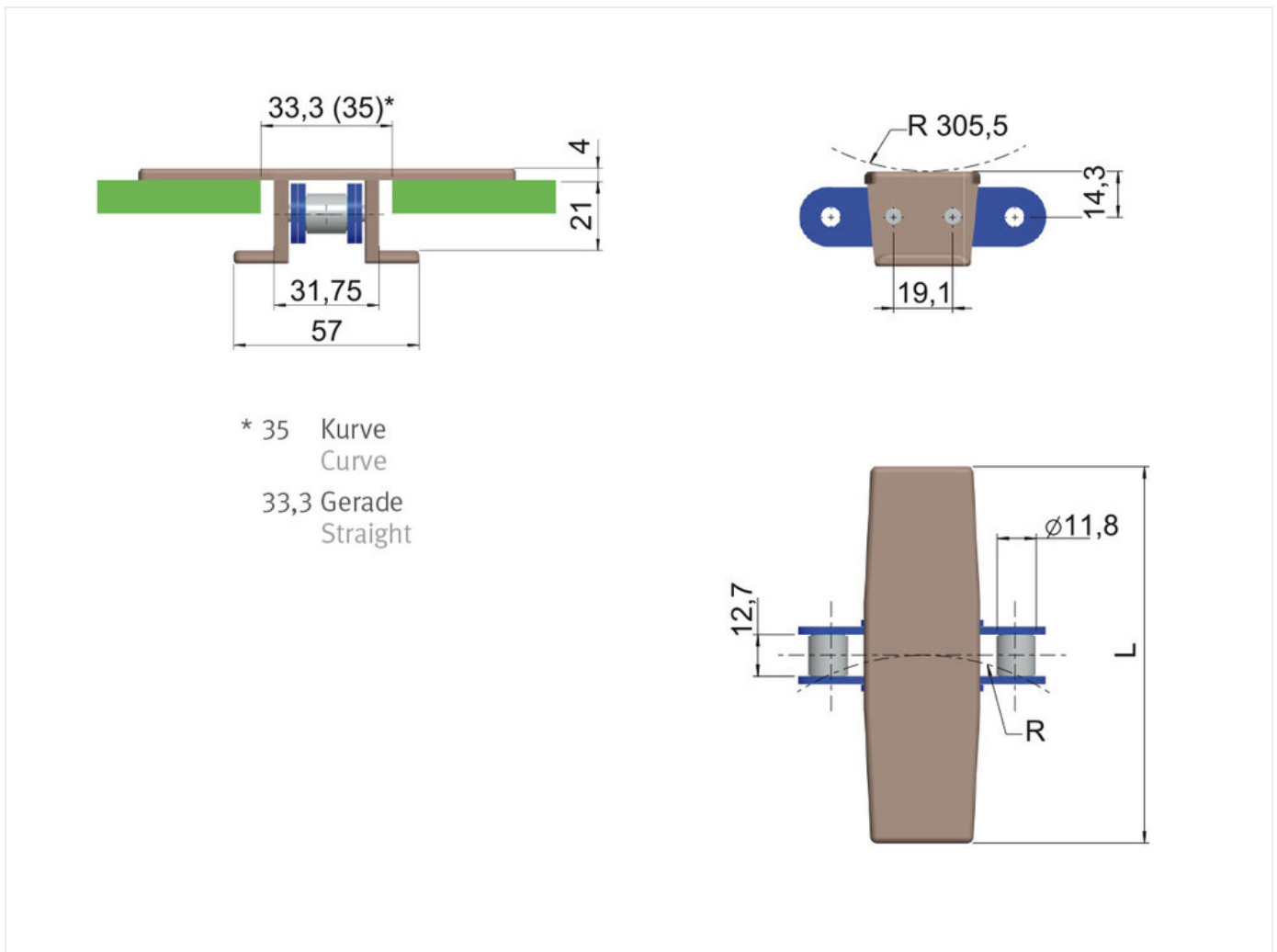
Part no.: I9106e1309185

Packaging Unit: 3,048m

Brand: FLEXON

Model: Series 1873

Surface: hardened carbon steel



Technical data

| FLAT TOP CHAIN | 1873 |
|-----------------------|------|
| Weight per meter (kg) | 2 |
| Back flex radius (mm) | 305 |
| Width L (mm) | 57,1 |

| | |
|-----------------------------|-------|
| Average breaking load (N) | 27 |
| Minimum Curve radius R (mm) | 356 |
| Snap on material | LF |
| Material base chain | C45 |
| Pitch base chain (mm) | 19,05 |

Product Information

The FLEXON range of Plate Top chains are two piece assemblies of base roller chain, in steel or stainless steel, onto which a plastic plate is mounted. The combination of the two elements creates a chain with high breaking load provided by the ELITE base chain plus the benefit of a very flat top surface.

Top plates ready assembled on carbon steel base chain.

Highlights:

- ANSI 60 side bow base chain with extended pins
- Easy to change out the snapped on top plates

Applications

- Feeding and automation technology

REQUEST DIRECTLY ONLINE NOW

<https://www.iwis.com/en-en/products-services/plate-top-chain-1873-series-1873-hardened-carbon-steel-flexon~p7372>

Useful information



CALCULATION PROGRAM

InduKet: the Chain Drive
Calculation Program for
Engineers.

iwis.com/chaincalc



CHAIN CALCULATION

The right drive solution for your
challenge.

chaindrive@iwis.com



SERVICES

ChainFinder, CAD data, iwis
Chain Handbook and more.

iwis.com/services