



Multi Flex Chain 1701 Series 1701, Plastic - FLEXON

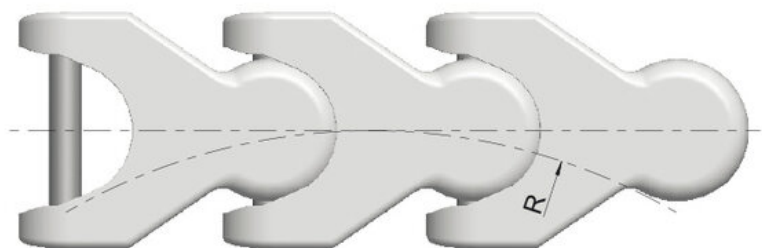
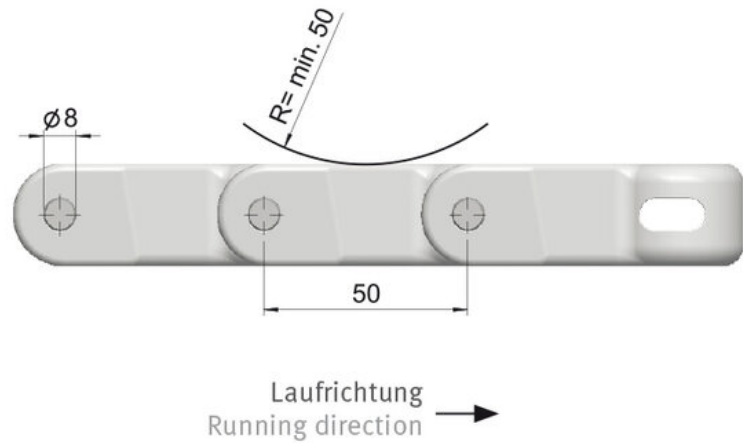
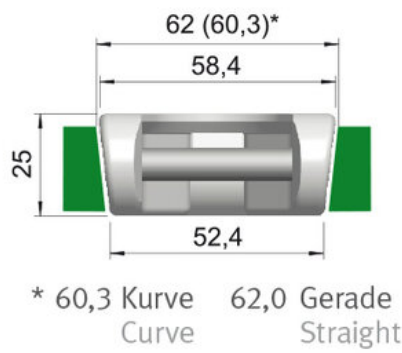
Part no.: I4daf7ac9b47c

Packaging Unit: 6,01m

Brand: FLEXON

Model: Series 1701

Surface: Plastic



Technical data

FLAT TOP CHAIN	1701
Pin diameter d2 max. (mm)	7,91
Weight per meter (kg)	1,50
Chain material	POM

Pin material	Stainless steel
Back flex radius (mm)	50
Width L (mm)	52,4
Minimum Curve radius R (mm)	150

Product Information

Highlights:

- Multi flex chains of the 1701 series can realize very small horizontal curves
- Combined with a turning disk it is possible to reduce wear and the coefficient of friction in the curve

Applications

- Feeding and automation technology
- Food processing industry
- Automotive industry

REQUEST DIRECTLY ONLINE NOW

<https://www.iwis.com/en-en/products-services/multi-flex-chain-1701-series-1701-plastic-flexon~p7368>

Useful information

CALCULATION PROGRAM

InduKet: the Chain Drive Calculation Program for Engineers.

[iwis.com/chaincalc](https://www.iwis.com/chaincalc)

CHAIN CALCULATION

The right drive solution for your challenge.

chaindrive@iwis.com

SERVICES

ChainFinder, CAD data, iwis Chain Handbook and more.

[iwis.com/services](https://www.iwis.com/services)