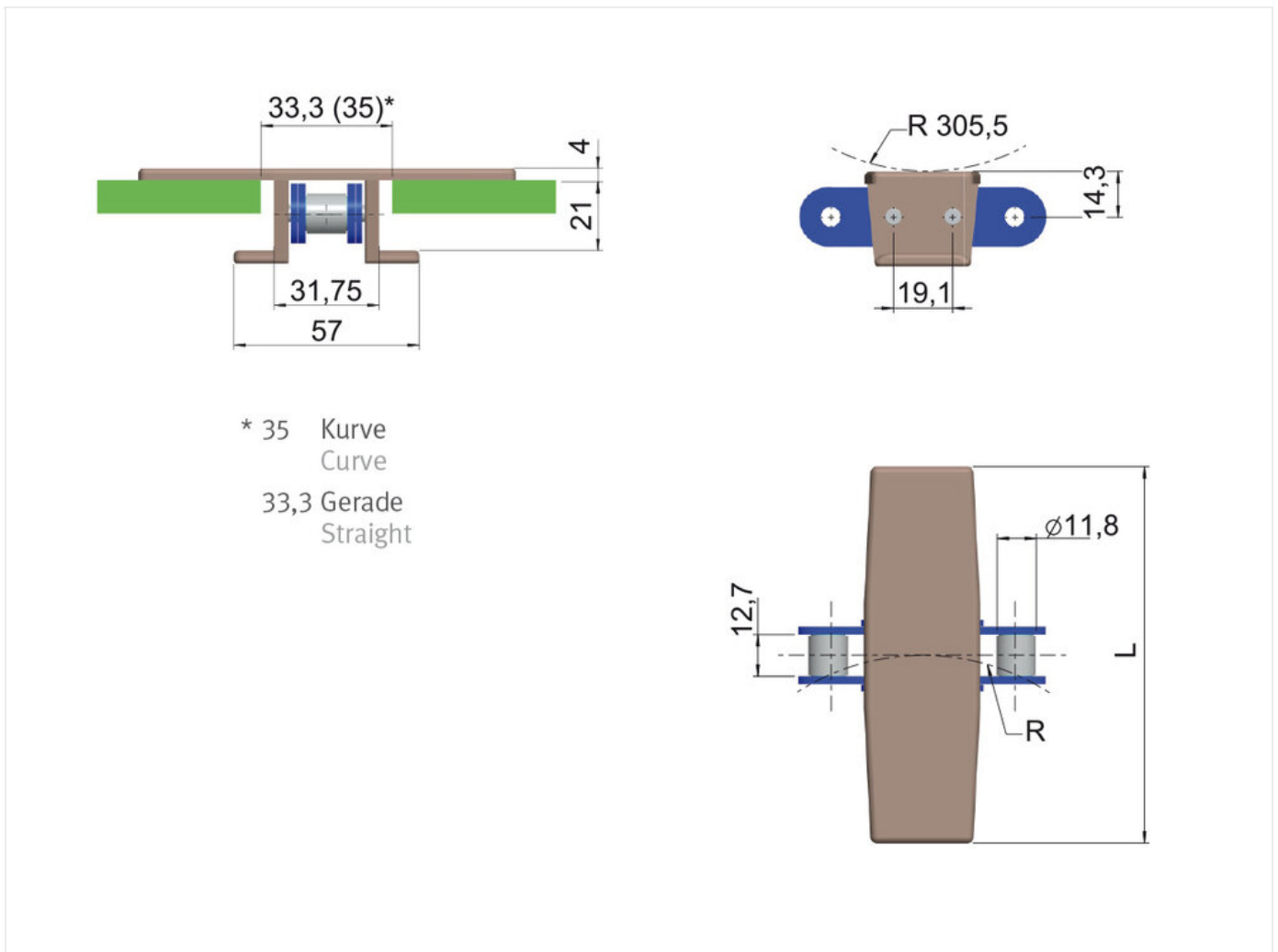


## Plate Top Chain 1873 Series 1873, hardened carbon steel - FLEXON

Part no.: 34386  
Packaging Unit: 3,048m

Brand: FLEXON  
Model: Series 1873  
Surface: hardened carbon steel



## Technical data

FLAT TOP CHAIN	1873
Weight per meter (kg)	2,26
Back flex radius (mm)	305
Width L (mm)	114,3

Average breaking load (N)	27
Minimum Curve radius R (mm)	356
Snap on material	LF
Material base chain	C45
Pitch base chain (mm)	19,05

## Product Information

The FLEXON range of Plate Top chains are two piece assemblies of base roller chain, in steel or stainless steel, onto which a plastic plate is mounted. The combination of the two elements creates a chain with high breaking load provided by the ELITE base chain plus the benefit of a very flat top surface.

Top plates ready assembled on carbon steel base chain.

Highlights:

- ANSI 60 side bow base chain with extended pins
- Easy to change out the snapped on top plates

## Applications

- Feeding and automation technology

**REQUEST DIRECTLY ONLINE NOW**

<https://www.iwis.com/en-en/products-services/plate-top-chain-1873-series-1873-hardened-carbon-steel-flexon~p7266>

## Useful information



## **CALCULATION PROGRAM**

InduKet: the Chain Drive  
Calculation Program for  
Engineers.

[iwis.com/chaincalc](http://iwis.com/chaincalc)



## **CHAIN CALCULATION**

The right drive solution for your  
challenge.

[chaindrive@iwis.com](mailto:chaindrive@iwis.com)



## **SERVICES**

ChainFinder, CAD data, iwis  
Chain Handbook and more.

[iwis.com/services](http://iwis.com/services)