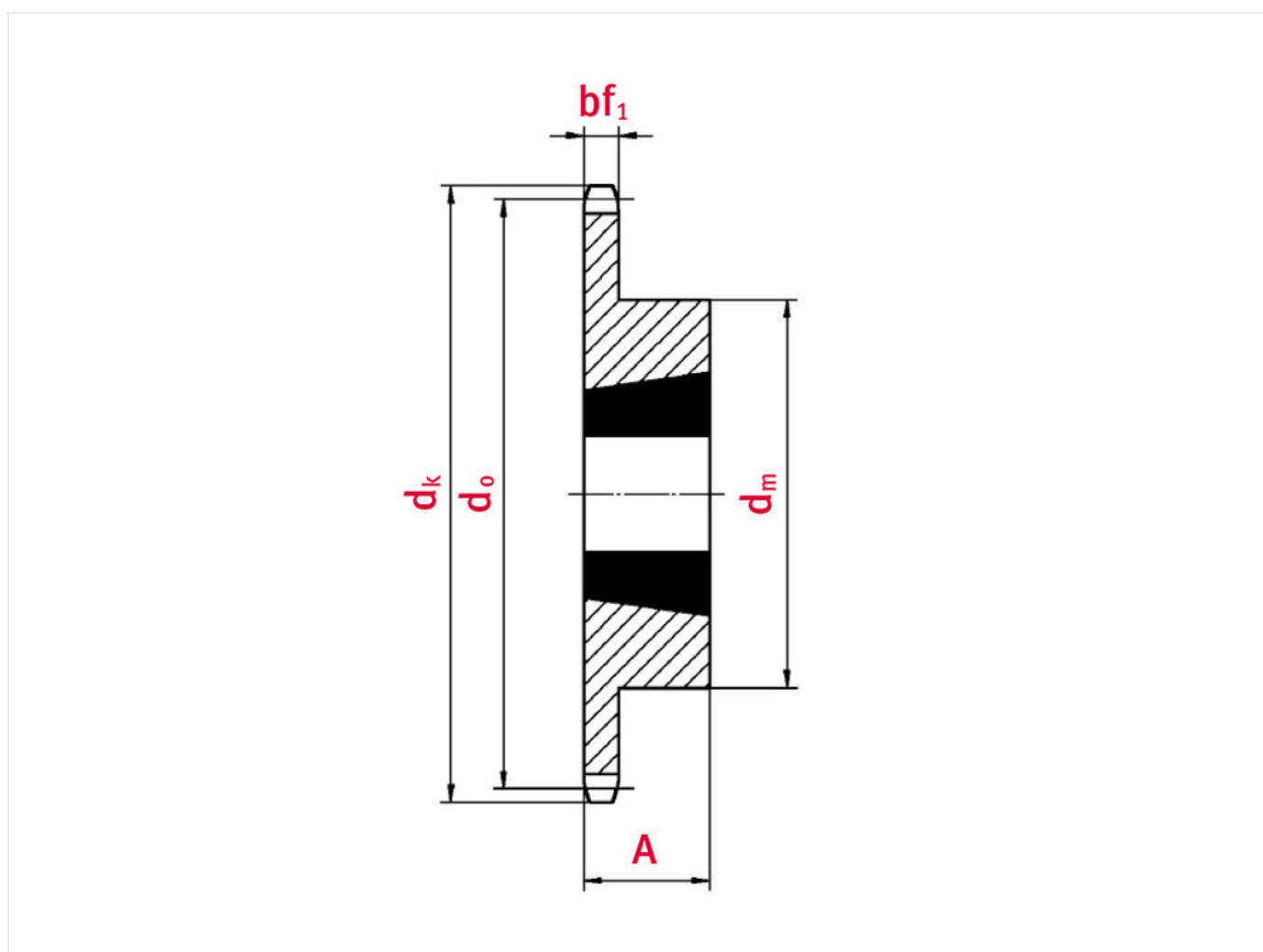


Sprocket with taper-lock bush 16B-1 30 teeth

Part no.: 81006841

Model: 30 teeth



Technical data

SPROCKET	16B
Teeth	30
Tooth width simplex bf_1 (mm)	16,2
Tip circle d_k (mm)	254,6

Total length L (mm)	51
Hub	140
Taper-lock bush (Ref.-Nr.)	2517
Sprocket type	1

Product Information

Taper-lock clamping hubs enable the precise axially-centred fixing of hubs on shafts. When used with sprockets, they offer a twofold advantage over a shaft-to-hub connection with keyways: quick fitting and better centring.

REQUEST DIRECTLY ONLINE NOW

<https://www.iwis.com/en-en/products-services/sprocket-with-taper-lock-bush-16b-1-30-teeth~p6989>

Useful information

CALCULATION PROGRAM

InduKet: the Chain Drive Calculation Program for Engineers.

[iwis.com/chaincalc](https://www.iwis.com/chaincalc)

CHAIN CALCULATION

The right drive solution for your challenge.

chaindrive@iwis.com

SERVICES

ChainFinder, CAD data, iwis Chain Handbook and more.

[iwis.com/services](https://www.iwis.com/services)