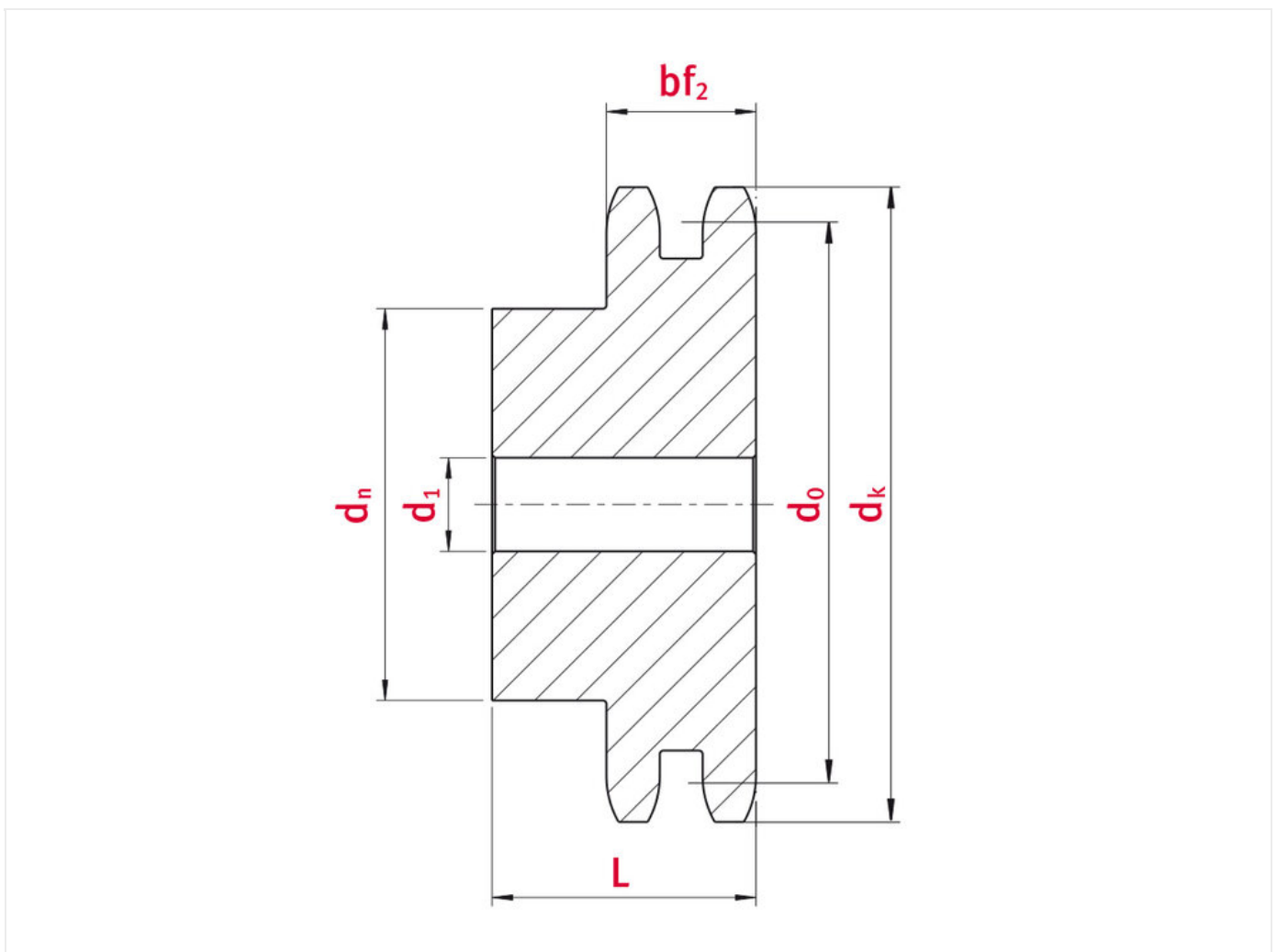




sprocket 08B-2 22 teeth

Part no.: 81006082
Packaging Unit: 1pce
Model: 22 teeth



Technical data

SPROCKET	08B
Pitch p (mm)	12,7
Width between inner plates b1 min. (mm)	7,75
Roller diameter d1 max. (mm)	8,51

Teeth	22
Tooth width duplex bf2 (mm)	21
Tip circle dk (mm)	93,8
Pilot bore d1 (mm)	16
Total length L (mm)	40
Hub	70

Product Information

iwis offers in the "plate wheels and drive components" sector an impressively wide range and broad stock of various plate wheels with pilot bores, and has full machining facilities in order to rapidly rework pilot bore plate wheels to customers demands. Furthermore, iwis provides fully finished plate wheels manufactured according to customer designs and drawings. iwis can always supply a wide range of ISO 606-compliant standard sprockets and plate wheels from stock. Our standard range covers sprockets and plate wheels in sizes 05 B-1 to 32 B-3.

Highlights:

- All sprockets are suitable for roller chains based on the requirements of ISO 606
- All sprockets with pilot bores
- The material used is unalloyed tempered steel
- Special surface treatments are available on request



REQUEST DIRECTLY ONLINE NOW

<https://www.iwis.com/en-en/products-services/sprocket-08b-2-22-teeth~p5576>

Useful information

□

CALCULATION PROGRAM

InduKet: the Chain Drive
Calculation Program for
Engineers.

iwis.com/chaincalc

□

CHAIN CALCULATION

The right drive solution for your
challenge.

chaindrive@iwis.com

□

SERVICES

ChainFinder, CAD data, iwis
Chain Handbook and more.

iwis.com/services