

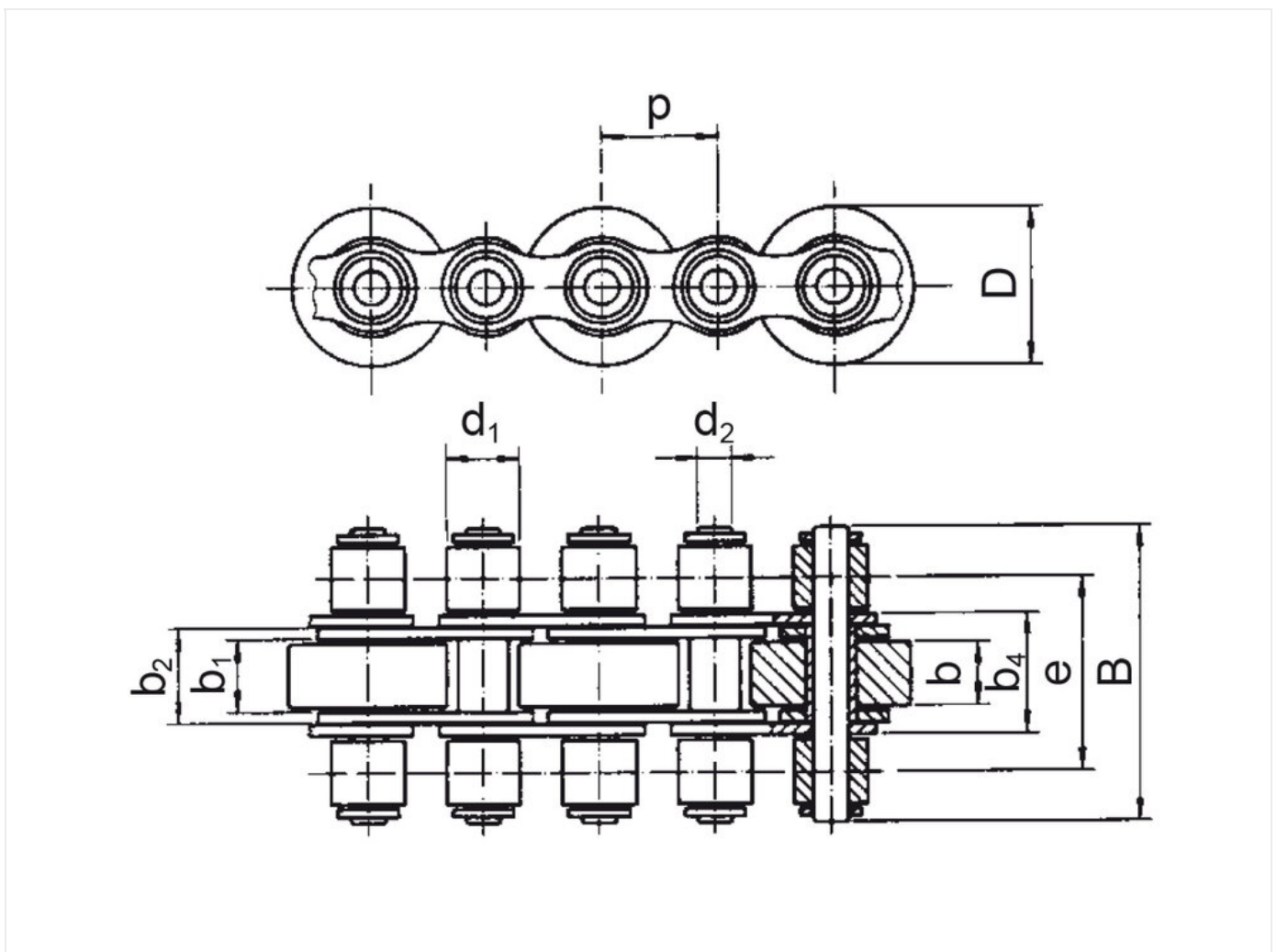
## Accumulation chain 12B MEGAlife Design M, maintenance-free - JWIS

Part no.: lf5eea5c91ca1

Brand: JWIS

Model: MEGAlife Design M

Surface: maintenance-free



### Technical data

ACCUMULATION CHAIN	12B
Pitch p (mm)	19,05
Width between inner plates b1 min. (mm)	11,75
Roller diameter d1 max. (mm)	12,07

Pin diameter d2 max. (mm)	5,72
Pin length b4 max. (mm)	48
Total width inner link b2 max. (mm)	15,62
Width over outer plates b5 max. (mm) (JWIS: b4)	19,55
Conveyer roller diameter d5 (mm) (JWIS: D)	24 / 26 / 28
Width over conveyer roller b8 (mm) (JWIS: b)	11
Weight per meter (kg)	3,1
Traverse pitch pt (mm) (JWIS: e)	31,5
Max. load per conveyer roller (N)	15

## Product Information

Accumulation chains from iwis with special redesigned joint and transport rollers made of sintered metal – a technical innovation – the first genuine maintenance-free accumulation chains with light running rollers.

Typ M: standard version with washers

Highlights:

- Special bearing design with sintered metal bushes
- Nickel-plated plates and pins, with ecofriendly, lubricant-free surfaces ensure reduced maintenance costs and less downtime for your application
- Excellent wear resistance, also under extreme environmental conditions
- Easy to dismantle
- Environmentally-friendly due to lubrication free chain surface
- Chains suitable for clean rooms

## Applications

- Warehouse technology, materials-handling industry
- Electronics industry and PCB manufacture
- Conveyor technology
- Packaging industry
- Food processing industry
- Glass, ceramic and building material industry
- Pharmaceutical industry, medical technology

**REQUEST DIRECTLY ONLINE NOW**

<https://www.iwis.com/en-en/products-services/accumulation-chain-12b-megalife-design-m-maintenance-free-jwis~p4919>

## Useful information

### **CALCULATION PROGRAM**

InduKet: the Chain Drive Calculation Program for Engineers.

[iwis.com/chaincalc](https://www.iwis.com/chaincalc)

### **CHAIN CALCULATION**

The right drive solution for your challenge.

[chaindrive@iwis.com](mailto:chaindrive@iwis.com)

### **SERVICES**

ChainFinder, CAD data, iwis Chain Handbook and more.

[iwis.com/services](https://www.iwis.com/services)