

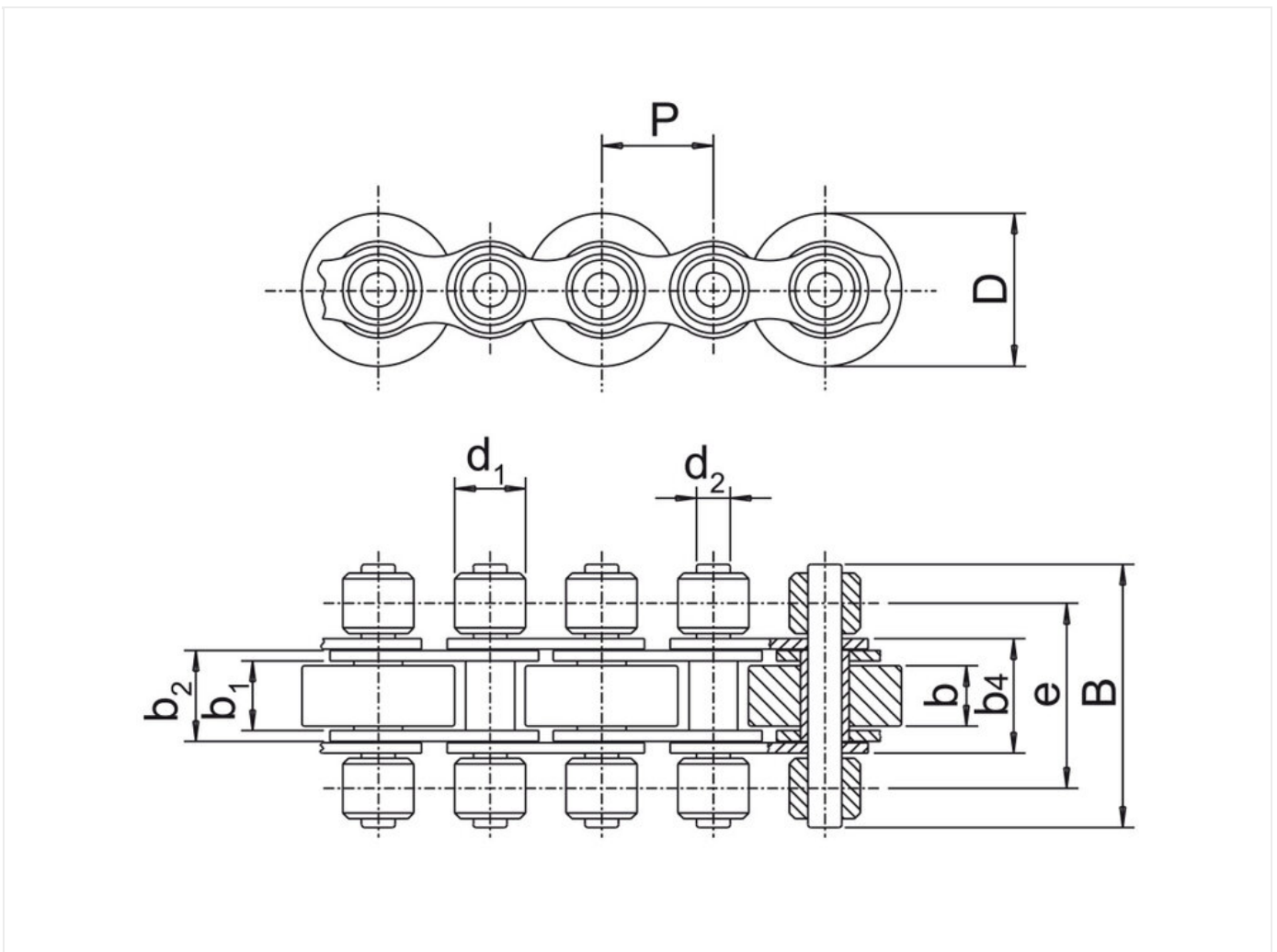
Accumulation chain 08B MEGAlife Design OS, maintenance-free - JWIS

Part no.: lcc13e2c4f0d3

Brand: JWIS

Model: MEGAlife Design OS

Surface: maintenance-free



Technical data

ACCUMULATION CHAIN	08B
Pitch p (mm)	12,7
Width between inner plates b1 min. (mm)	7,75

Roller diameter d1 max. (mm)	8,51
Pin diameter d2 max. (mm)	4,45
Pin length b4 max. (mm)	27
Total width inner link b2 max. (mm)	11,3
Width over outer plates b5 max. (mm) (JWIS: b4)	14,5
Conveyer roller diameter d5 (mm) (JWIS: D)	16 / 17 / 18
Width over conveyer roller b8 (mm) (JWIS: b)	7,55
Weight per meter (kg)	0,802
Traverse pitch pt (mm) (JWIS: e)	18,7
Max. load per conveyer roller (N)	6

Product Information

Accumulation chains from iwis with special redesigned joint and transport rollers made of sintered metal – a technical innovation – the first genuine maintenance-free accumulation chains with light running rollers.

Typ OS: standard version without washers

Highlights:

- Special bearing design with sintered metal bushes
- Nickel-plated plates and pins, with ecofriendly, lubricant-free surfaces ensure reduced maintenance costs and less downtime for your application
- Excellent wear resistance, also under extreme environmental conditions
- Easy to dismantle
- Environmentally-friendly due to lubrication free chain surface
- Chains suitable for clean rooms

Applications

- Warehouse technology, materials-handling industry
- Electronics industry and PCB manufacture
- Conveyor technology
- Packaging industry
- Food processing industry
- Glass, ceramic and building material industry
- Pharmaceutical industry, medical technology

REQUEST DIRECTLY ONLINE NOW

<https://www.iwis.com/en-en/products-services/accumulation-chain-08b-megalife-design-os-maintenance-free-jwis~p4916>

Useful information

CALCULATION PROGRAM

InduKet: the Chain Drive Calculation Program for Engineers.

[iwis.com/chaincalc](https://www.iwis.com/chaincalc)

CHAIN CALCULATION

The right drive solution for your challenge.

chaindrive@iwis.com

SERVICES

ChainFinder, CAD data, iwis Chain Handbook and more.

[iwis.com/services](https://www.iwis.com/services)