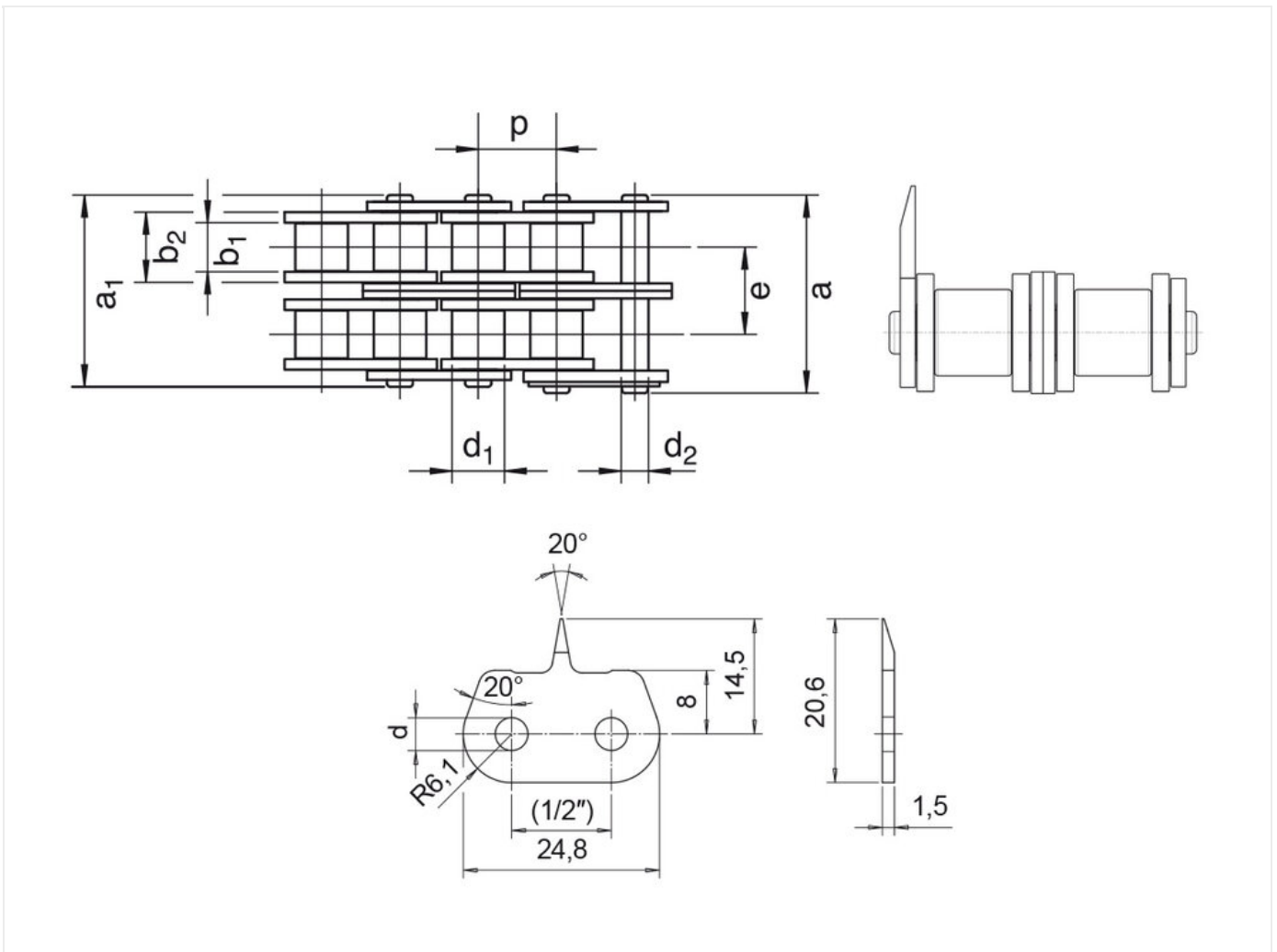


Conveyor chain 08B-2 Spike chain Design 112.06 - JWIS

Part no.: 50019757

Brand: JWIS

Model: Spike chain Design 112.06



Technical data

ROLLER CHAIN	08B
Pitch p (mm)	12,7
Width between inner plates b1 min. (mm)	7,75
Roller diameter d1 max. (mm)	8,51

Pin diameter d2 max. (mm)	4,45
Total width inner link b2 max. (mm)	11,3
Outer link pin rivet a1 max. (mm)	30,8
Outer link key groove a max. (mm)	32,4
Height inner plate h2 max. (mm) (JWIS: g)	12,2
Min. tensile strength ISO/DIN FU (kN)	40,000
Avg. tensile strength FB (kN)	31,100
Weight per meter (kg)	1,4
Bearing surface f (cm ²)	1
Traverse pitch pt (mm) (JWIS: e)	13,92

Product Information

Spike chains are Thermoform chains which are used throughout the world, offering precision, quality and a distinctive longer lifetime in all thermoformed packaging applications. iwis conveyor chains can be customized to meet the specific requirements of your application. iwis not only offers a wide range of special straight and bent attachment plates, we can also help customers develop their own special designs.

Highlights:

- Specially designed guide rollers and wear resistant extruded pins offer precise film alignment
- SL (super longlife) heat-treated, easy break pins increase wearlife and precision of operation
- Uniquely designed and specially hardened spike profiles offer the best solution for handling your Thermoform material and optimises the lifetime of the chain
- Specially designed intermediate plates reduce lateral forces within the chain, thus reducing elongation while extending wear life

Applications

- Food processing industry
- Packaging industry

REQUEST DIRECTLY ONLINE NOW

<https://www.iwis.com/en-en/products-services/conveyor-chain-08b-2-spike-chain-design-11206-jwis~p4873>

Useful information



CALCULATION PROGRAM

InduKet: the Chain Drive
Calculation Program for
Engineers.

iwis.com/chaincalc



CHAIN CALCULATION

The right drive solution for your
challenge.

chaindrive@iwis.com



SERVICES

ChainFinder, CAD data, iwis
Chain Handbook and more.

iwis.com/services