

Conveyor chain 60-2 Pallet Transporting Chain - JWIS

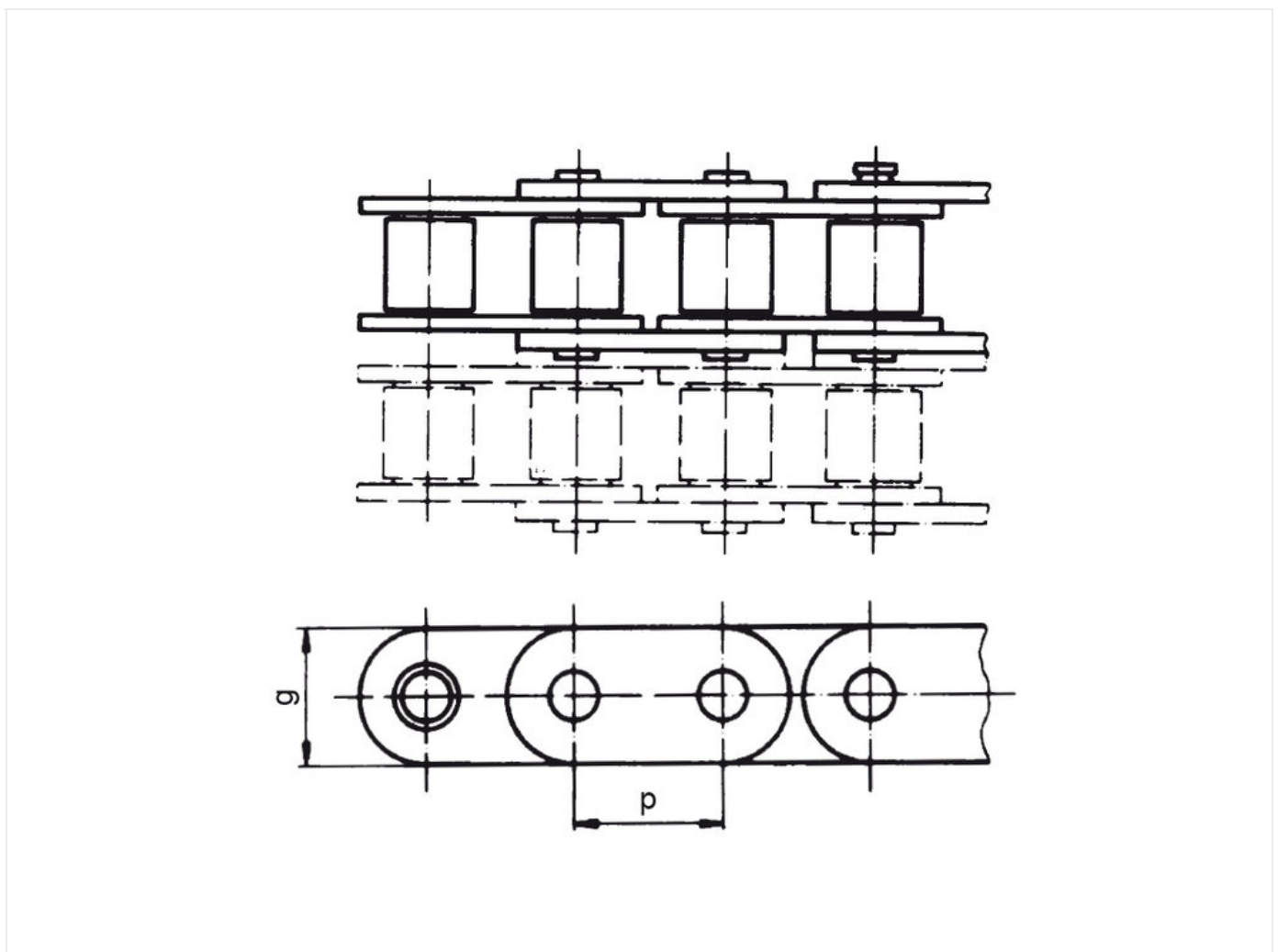
Part no.: 50000498

Brand: JWIS

Model: Pallet Transporting Chain



Produktbild folgt in Kürze



Technical data

ROLLER CHAIN	60
Pitch p (mm)	19,05
Width between inner plates b1 min. (mm)	12,70
Roller diameter d1 max. (mm)	11,91

Pin diameter d2 max. (mm)	5,96
Total width inner link b2 max. (mm)	17,75
Outer link pin rivet a1 max. (mm)	48,20
Outer link key groove a max. (mm)	50,83
Height inner plate h2 max. (mm) (JWIS: g)	18,0
Min. tensile strength ISO/DIN FU (kN)	84.000
Avg. tensile strength FB (kN)	84,000
Weight per meter (kg)	3,50
Bearing surface f (cm ²)	2,12
Traverse pitch pt (mm) (JWIS: e)	22,78

Product Information

iwis offers an extensive program of special chains for various industrial applications and requirements. The plate chain is being used wherever smooth and reliable conveying through very narrow bends is necessary.

Highlights:

- Material to be transported can be positioned throughout because of the straight side plates
- Roller chains with straight side plates for transporting a wide range of material
- Also available in MEGAlife version

Applications

- Warehouse technology, materials-handling industry
- Conveyor technology
- Glass, ceramic and building material industry
- Environmental technology, Recycling



REQUEST DIRECTLY ONLINE NOW

<https://www.iwis.com/en-en/products-services/conveyor-chain-60-2-pallet-transporting-chain-jwis~p4812>

Useful information



CALCULATION PROGRAM

InduKet: the Chain Drive
Calculation Program for
Engineers.

iwis.com/chaincalc



CHAIN CALCULATION

The right drive solution for your
challenge.

chaindrive@iwis.com



SERVICES

ChainFinder, CAD data, iwis
Chain Handbook and more.

iwis.com/services