



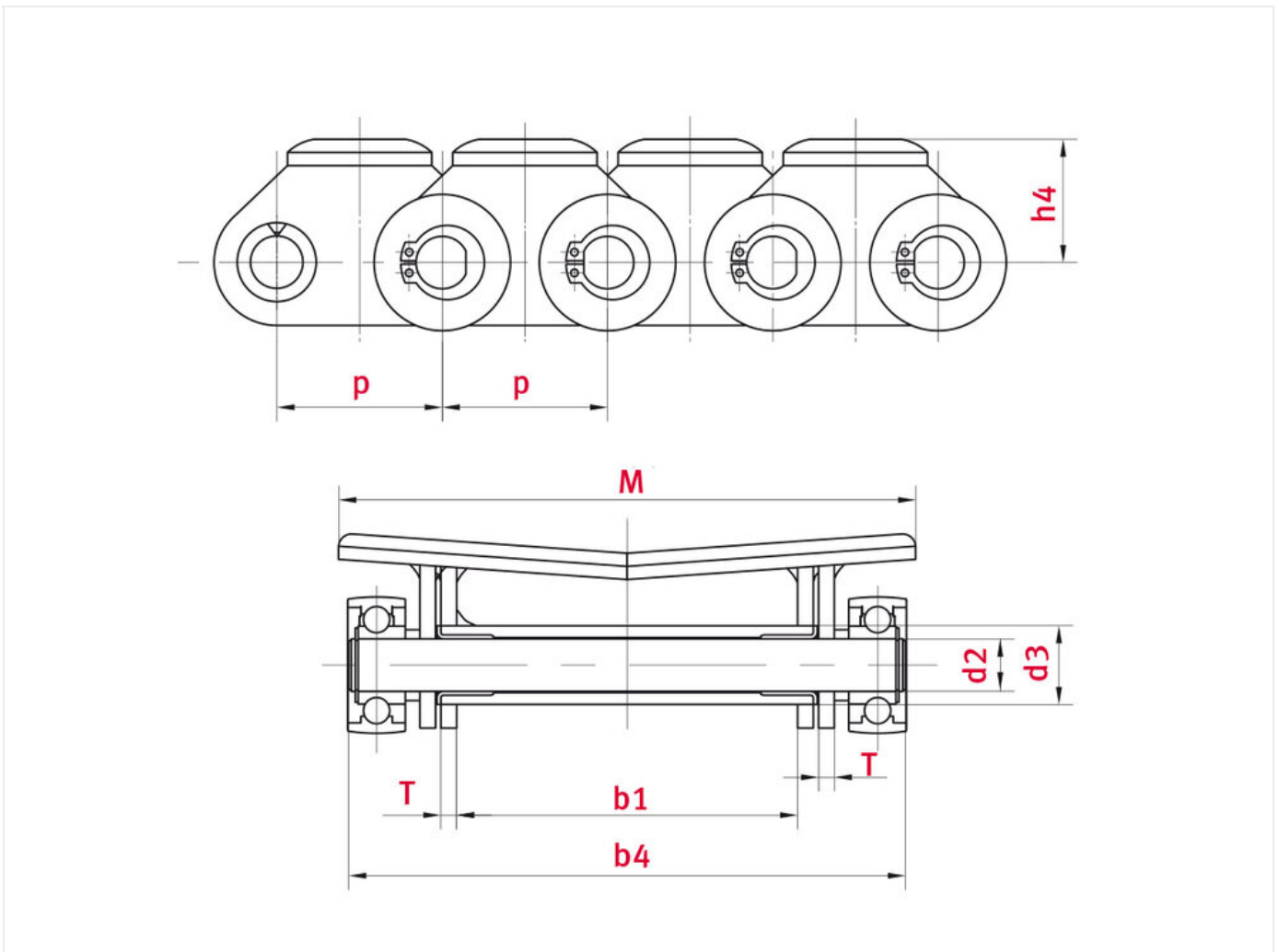
Conveyor chain RO 3c Heavy-duty cranked-link transmission chain - ELITE

Part no.: Id9735bef73c2

Packaging Unit: 5m

Brand: ELITE

Model: Heavy-duty cranked-link transmission chain



Technical data

ROLLER CHAIN	RO 3C
Pitch p (mm)	78,1
Width between inner plates $b1$ min. (mm)	36.9

Roller diameter d1 max. (mm)	31.75
Pin diameter d2 max. (mm)	16.5
Pin length b4 max. (mm)	95.3
Plate thickness Ti/To (mm)	9.5
Height inner plate h2 max. (mm) (JWIS: g)	45
Min. tensile strength ISO/DIN FU (kN)	298
Weight per meter (kg)	12
Bearing surface f (cm ²)	9.800000000000001

Product Information

Rotary chains were developed primarily for chain drive applications involving extremely heavy loads or particularly adverse operating conditions. Chains of this type are particularly resistant to violent shocks, wear and extreme operating conditions, and have consequently enjoyed increasing success in a wide range of applications in recent years. For the most part, rotary chain dimensions are standardized under ISO 3512, ANSI B 29.10 and DIN 8182. One significant advantage of rotary chains is that their links are all constructed to the same pattern, making it easier to lengthen or shorten the chains when required. They have another advantage over standard roller chains – all links are subject to the same level of wear.

ELITE rotary chains with cranked links are fitted with cotter pins. The chain plates are available in naturally hardened steel or special tempered steel, according to the expected mechanical load. Chains subjected to extremely high loads are fitted with induction-hardened pins, making them not only extremely tough, but also giving them the highest possible level of surface hardness.

Applications

- Construction machinery

REQUEST DIRECTLY ONLINE NOW

<https://www.iwis.com/en-en/products-services/conveyor-chain-ro-3c-heavy-duty-cranked-link-transmission-chain-elite~p4615>

Useful information



CALCULATION PROGRAM

InduKet: the Chain Drive
Calculation Program for
Engineers.

iwis.com/chaincalc



CHAIN CALCULATION

The right drive solution for your
challenge.

chaindrive@iwis.com



SERVICES

ChainFinder, CAD data, iwis
Chain Handbook and more.

iwis.com/services