

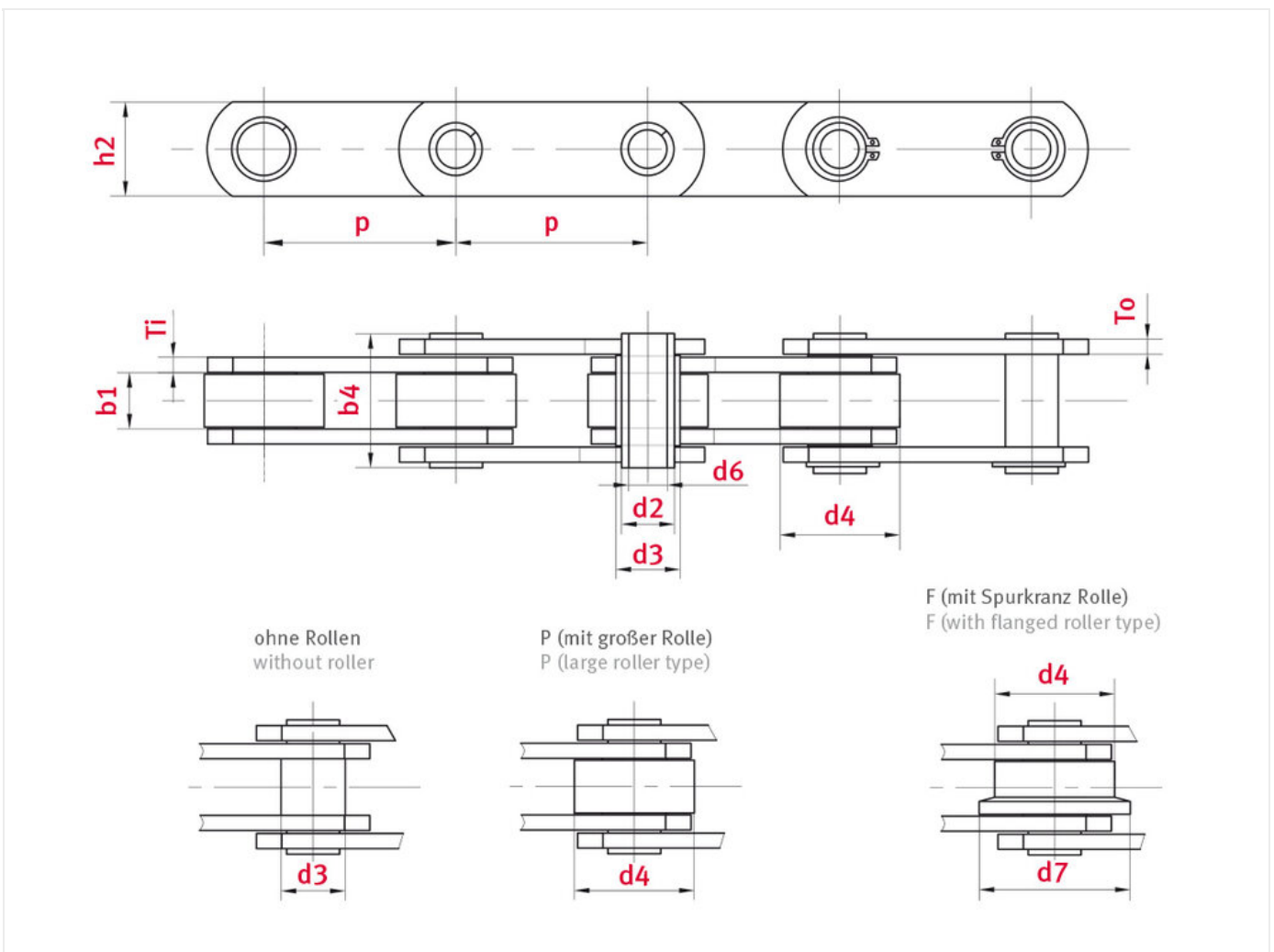


Hollow pin conveyor chain ZC40 ZC series - ELITE

Part no.: I550b1d0f3558

Brand: ELITE

Model: ZC series



Technical data

| ROLLER CHAIN | ZC40 |
|--|-------|
| Pitch p (mm) | 101,6 |
| Width between inner plates b_1 min. (mm) | 15 |
| Pin diameter d_2 max. (mm) | 14 |

Product data

| | |
|---|-------|
| Bush diameter d3 max. (mm) | 17 |
| Pin length b4 max. (mm) | 37.7 |
| Hollow pin inner diameter d6 min. (mm) | 10,2 |
| Roller diameter large roller d4 max. (mm) | 31.75 |
| Flanged roller diameter d7 (mm) | 40 |
| Plate thickness Ti/To (mm) | 4 |
| Height inner plate h2 max. (mm) (JWIS: g) | 25 |
| Min. tensile strength ISO/DIN FU (kN) | 40 |
| Bearing surface f (cm ²) | 3.2 |

Product Information

Hollow pin chains are used for a wide variety of conveying applications in industry. Since the chains are used as double strand chains, we offer the option of pair-matching. Many ELITE hollow pin chains are constructed to the dimensions of standard ISO 606.

Highlights:

- Available based on the same chains manufactured to ISO 606 or as special chains
- All ELITE chain plates are manufactured using processes such as fine blanking and ball-drifting, so a particularly high contact ratio is guaranteed.
- Solid, case hardened rollers with good wear resistance
- In general, hollow pins made of seamless precision steel tube for improved precision and wear resistance
- Many of these chains are supplied pair-matched to ensure exact parallel running, one of the main requirements that these chains must fulfil

Applications

- Wood processing industry
- Steelmaking industry
- Automotive industry
- Bulk goods transport
- Environmental technology, Recycling

REQUEST DIRECTLY ONLINE NOW

<https://www.iwis.com/en-en/products-services/hollow-pin-conveyor-chain-zc40-zc-series-elite~p4534>

Useful information

CALCULATION PROGRAM

InduKet: the Chain Drive Calculation Program for Engineers.

[iwis.com/chaincalc](https://www.iwis.com/chaincalc)

CHAIN CALCULATION

The right drive solution for your challenge.

chaindrive@iwis.com

SERVICES

ChainFinder, CAD data, iwis Chain Handbook and more.

[iwis.com/services](https://www.iwis.com/services)