

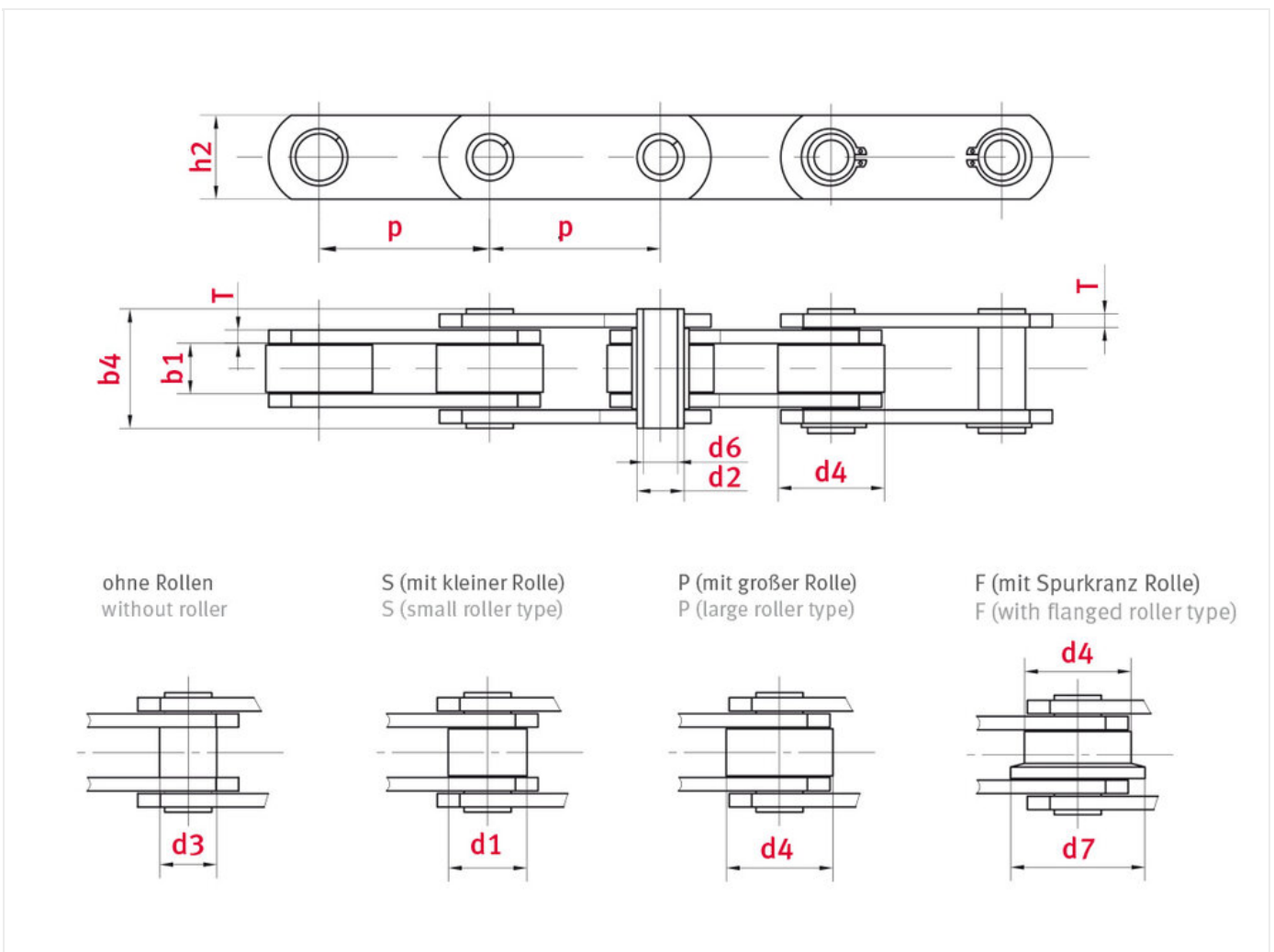


Hollow pin conveyor chain MC112 MC series - ELITE

Part no.: Id6526c312990

Brand: ELITE

Model: MC series



Technical data

ROLLER CHAIN	MC112
Pitch p (mm)	100
Width between inner plates b1 min. (mm)	32
Roller diameter d1 max. (mm)	42

Pin diameter d2 max. (mm)	22
Bush diameter d3 max. (mm)	29
Pin length b4 max. (mm)	64.5
Hollow pin inner diameter d6 min. (mm)	14,3
Roller diameter large roller d4 max. (mm)	70
Flanged roller diameter d7 (mm)	85
Plate thickness Ti/To (mm)	6
Height inner plate h2 max. (mm) (JWIS: g)	50
Min. tensile strength ISO/DIN FU (kN)	112
Bearing surface f (cm ²)	9.9

Product Information

Hollow pin chains are used for a wide variety of conveying applications in industry. Since the chains are used as double strand chains, we offer the option of pair-matching. Many ELITE hollow pin chains are constructed to the dimensions of standard ISO 606.

Highlights:

- Available based on the same chains manufactured to ISO 606 or as special chains
- All ELITE chain plates are manufactured using processes such as fine blanking and ball-drifting, so a particularly high contact ratio is guaranteed.
- Solid, case hardened rollers with good wear resistance
- In general, hollow pins made of seamless precision steel tube for improved precision and wear resistance
- Many of these chains are supplied pair-matched to ensure exact parallel running, one of the main requirements that these chains must fulfil

Applications

- Wood processing industry
- Steelmaking industry
- Automotive industry
- Bulk goods transport
- Environmental technology, Recycling

REQUEST DIRECTLY ONLINE NOW

<https://www.iwis.com/en-en/products-services/hollow-pin-conveyor-chain-mc112-mc-series-elite~p4437>

Useful information

CALCULATION PROGRAM

InduKet: the Chain Drive Calculation Program for Engineers.

[iwis.com/chaincalc](https://www.iwis.com/chaincalc)

CHAIN CALCULATION

The right drive solution for your challenge.

chaindrive@iwis.com

SERVICES

ChainFinder, CAD data, iwis Chain Handbook and more.

[iwis.com/services](https://www.iwis.com/services)