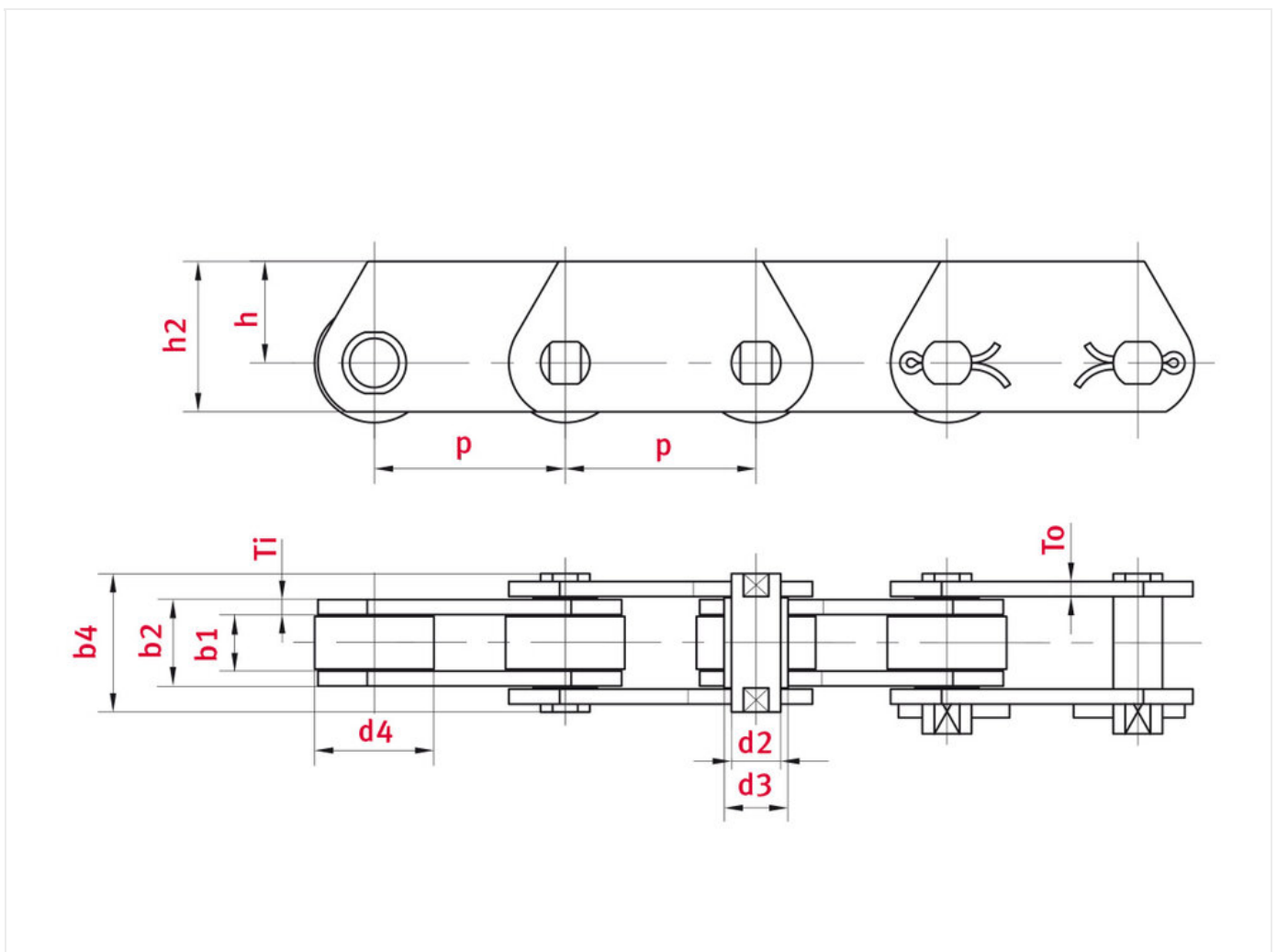




## Conveyor chain FVT315 Roller deep link chain FV series - ELITE

Part no.: I1c9e90575e7a  
Brand: ELITE  
Model: Roller deep link chain FV  
series



### Technical data

ROLLER CHAIN	FVT315
Pitch $p$ (mm)	250
Width between inner plates $b_1$ min. (mm)	65
Pin diameter $d_2$ max. (mm)	30

Bush diameter d3 max. (mm)	42
Pin length b4 max. (mm)	126.5
Roller diameter large roller d4 max. (mm)	90
Plate thickness Ti/To (mm)	10
Height inner plate h2 max. (mm) (JWIS: g)	90
Height from middle of chain to top of attachment h (mm)	55
Min. tensile strength ISO/DIN FU (kN)	315
Bearing surface f (cm <sup>2</sup> )	25.8

## Product Information

Roller deep link chains represent a special design of a normal bush conveyor chain. Here, the tabs are perforated off-center, so that the transported goods can be transported directly on the chain without further attachments.

### ELITE-Highlights

- Pins usually made of heat-treated alloy steel oder case-hardened steel
- Bushes seamless, case-hardened
- Link plates made of high-strength tempered steel
- Rollers depending on size case-hardened or induction-hardened

## Applications

- Wood processing industry
- Steelmaking industry
- Automotive industry
- Bulk goods transport
- Environmental technology, Recycling



**REQUEST DIRECTLY ONLINE NOW**

<https://www.iwis.com/en-en/products-services/conveyor-chain-fvt315-roller-deep-link-chain-fv-series-elite~p4420>

## Useful information



## **CALCULATION PROGRAM**

InduKet: the Chain Drive  
Calculation Program for  
Engineers.

[iwis.com/chaincalc](http://iwis.com/chaincalc)



## **CHAIN CALCULATION**

The right drive solution for your  
challenge.

[chaindrive@iwis.com](mailto:chaindrive@iwis.com)



## **SERVICES**

ChainFinder, CAD data, iwis  
Chain Handbook and more.

[iwis.com/services](http://iwis.com/services)