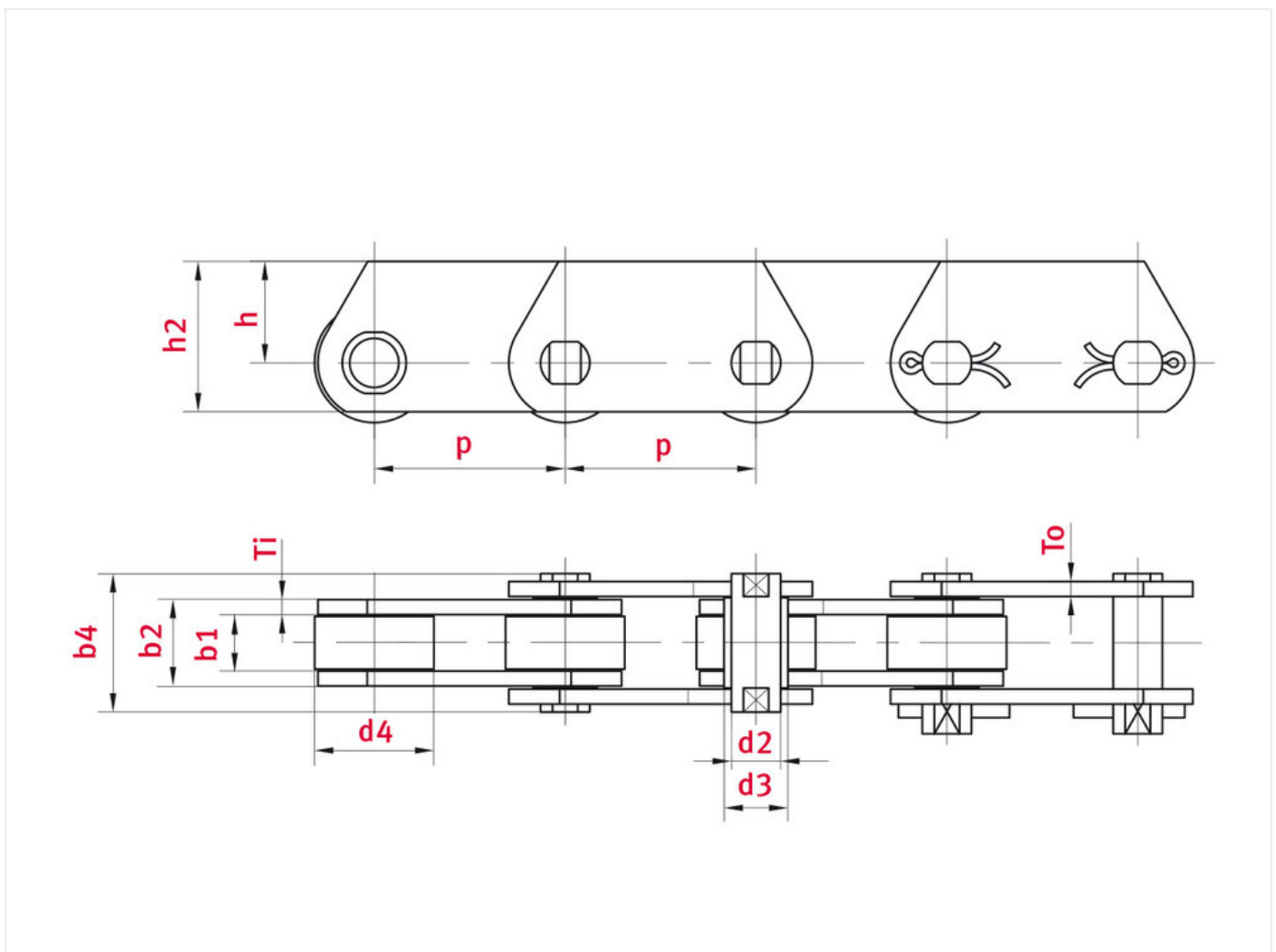




## Conveyor chain FVT180 Roller deep link chain FV series - ELITE

Part no.: lba9e7deaacad  
Brand: ELITE  
Model: Roller deep link chain FV  
series



### Technical data

ROLLER CHAIN	FVT180
Pitch p (mm)	160
Width between inner plates b1 min. (mm)	45
Pin diameter d2 max. (mm)	20

## Product data

Bush diameter d3 max. (mm)	30
Pin length b4 max. (mm)	92
Roller diameter large roller d4 max. (mm)	70
Plate thickness Ti/To (mm)	8
Height inner plate h2 max. (mm) (JWIS: g)	70
Height from middle of chain to top of attachment h (mm)	45
Min. tensile strength ISO/DIN FU (kN)	180
Bearing surface f (cm <sup>2</sup> )	12.3

## Product Information

Roller deep link chains represent a special design of a normal bush conveyor chain. Here, the tabs are perforated off-center, so that the transported goods can be transported directly on the chain without further attachments.

### ELITE-Highlights

- Pins usually made of heat-treated alloy steel oder case-hardened steel
- Bushes seamless, case-hardened
- Link plates made of high-strength tempered steel
- Rollers depending on size case-hardened or induction-hardened

## Applications

- Wood processing industry
- Steelmaking industry
- Automotive industry
- Bulk goods transport
- Environmental technology, Recycling



**REQUEST DIRECTLY ONLINE NOW**

<https://www.iwis.com/en-en/products-services/conveyor-chain-fvt180-roller-deep-link-chain-fv-series-elite~p4408>

## Useful information



## **CALCULATION PROGRAM**

InduKet: the Chain Drive  
Calculation Program for  
Engineers.

[iwis.com/chaincalc](http://iwis.com/chaincalc)



## **CHAIN CALCULATION**

The right drive solution for your  
challenge.

[chaindrive@iwis.com](mailto:chaindrive@iwis.com)



## **SERVICES**

ChainFinder, CAD data, iwis  
Chain Handbook and more.

[iwis.com/services](http://iwis.com/services)