

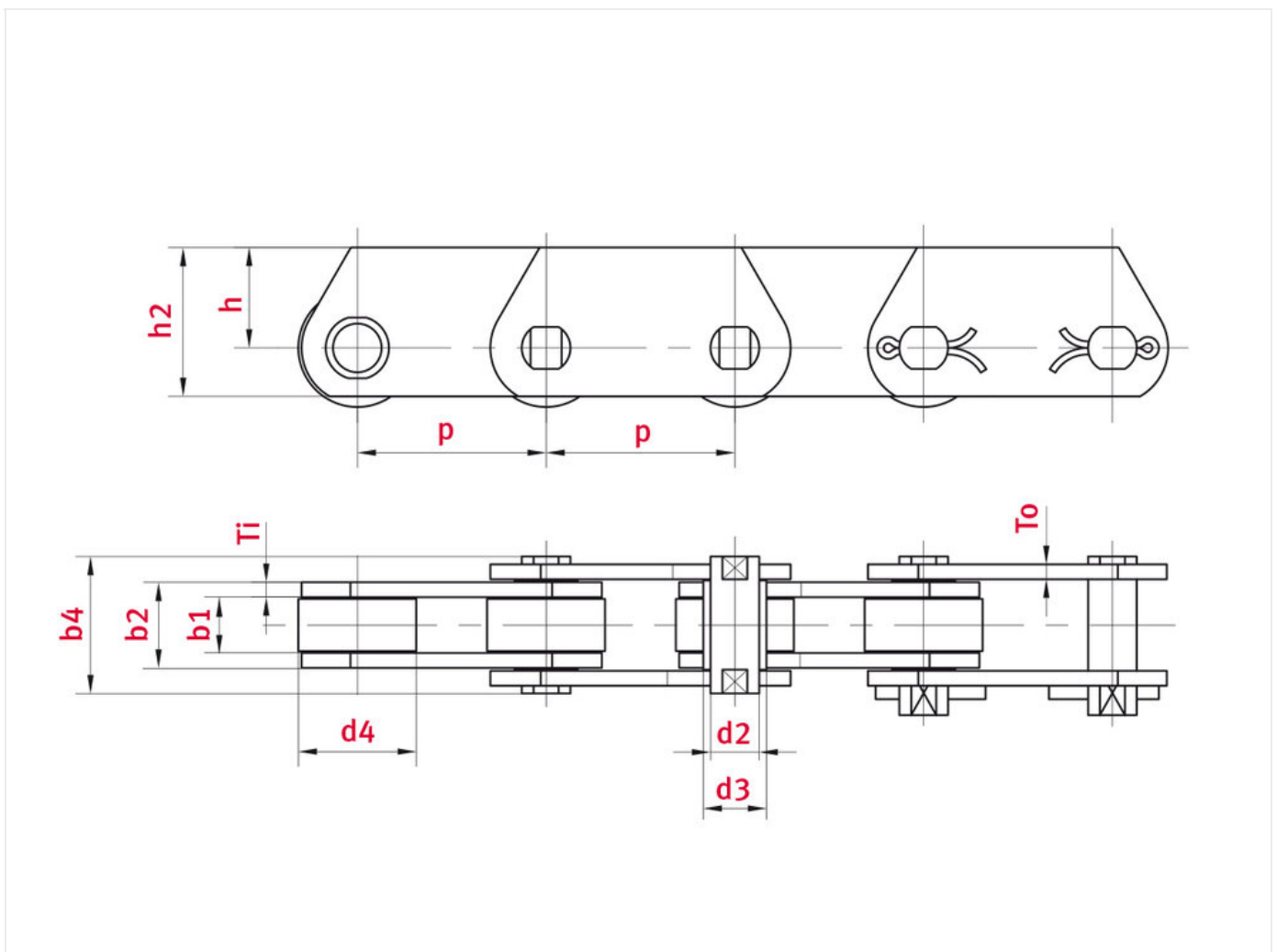


Conveyor chain MT160 Roller deep link chain MT series - ELITE

Part no.: I7d2c3d14be0e

Brand: ELITE

Model: Roller deep link chain MT series



Technical data

| ROLLER CHAIN | MT160 |
|-----------------------------------------|-------|
| Pitch p (mm) | 125 |
| Width between inner plates b1 min. (mm) | 37 |
| Pin diameter d2 max. (mm) | 18 |

Product data

| | |
|---------------------------------------------------------|-------------------|
| Bush diameter d3 max. (mm) | 25 |
| Pin length b4 max. (mm) | 85 |
| Roller diameter large roller d4 max. (mm) | 70 |
| Plate thickness Ti/To (mm) | 7 |
| Height inner plate h2 max. (mm) (JWIS: g) | 70 |
| Height from middle of chain to top of attachment h (mm) | 45 |
| Min. tensile strength ISO/DIN FU (kN) | 160 |
| Bearing surface f (cm ²) | 9.300000000000001 |

Product Information

Roller deep link chains represent a special design of a normal bush conveyor chain. Here, the tabs are perforated off-center, so that the transported goods can be transported directly on the chain without further attachments.

ELITE-Highlights

- Pins usually made of heat-treated alloy steel oder case-hardened steel
- Bushes seamless, case-hardened
- Link plates made of high-strength tempered steel
- Rollers depending on size case-hardened or induction-hardened

Applications

- Wood processing industry
- Steelmaking industry
- Automotive industry
- Bulk goods transport
- Environmental technology, Recycling



REQUEST DIRECTLY ONLINE NOW

<https://www.iwis.com/en-en/products-services/conveyor-chain-mt160-roller-deep-link-chain-mt-series-elite~p4352>

Useful information



CALCULATION PROGRAM

InduKet: the Chain Drive
Calculation Program for
Engineers.

iwis.com/chaincalc



CHAIN CALCULATION

The right drive solution for your
challenge.

chaindrive@iwis.com



SERVICES

ChainFinder, CAD data, iwis
Chain Handbook and more.

iwis.com/services