

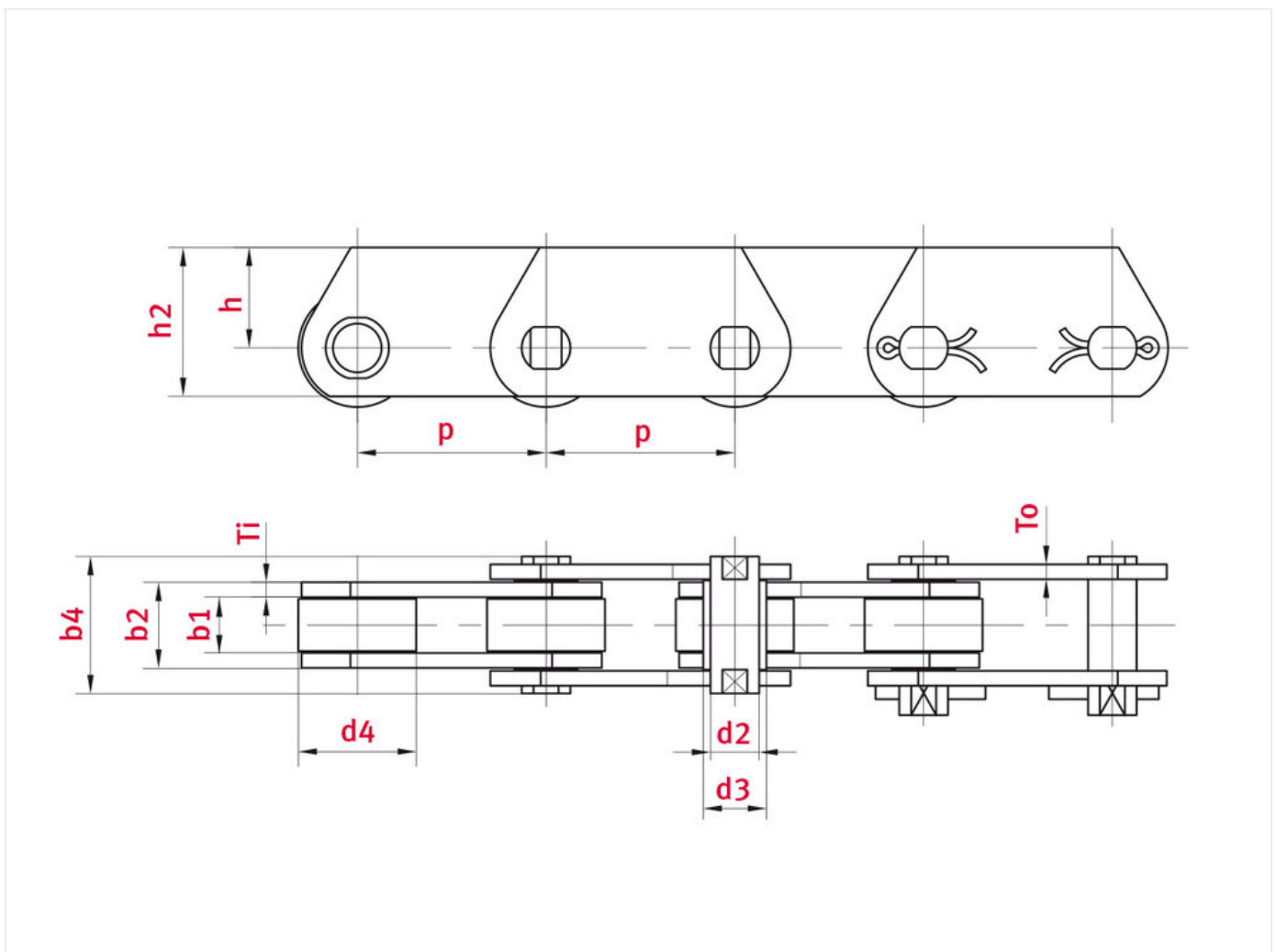


## Conveyor chain MT160 Roller deep link chain MT series - ELITE

Part no.: lbf4465d3fac5

Brand: ELITE

Model: Roller deep link chain MT series



### Technical data

ROLLER CHAIN	MT160
Pitch p (mm)	100
Width between inner plates b1 min. (mm)	37
Pin diameter d2 max. (mm)	18

## Product data

Bush diameter d3 max. (mm)	25
Pin length b4 max. (mm)	85
Roller diameter large roller d4 max. (mm)	70
Plate thickness Ti/To (mm)	7
Height inner plate h2 max. (mm) (JWIS: g)	70
Height from middle of chain to top of attachment h (mm)	45
Min. tensile strength ISO/DIN FU (kN)	160
Bearing surface f (cm <sup>2</sup> )	9.300000000000001

## Product Information

Roller deep link chains represent a special design of a normal bush conveyor chain. Here, the tabs are perforated off-center, so that the transported goods can be transported directly on the chain without further attachments.

### ELITE-Highlights

- Pins usually made of heat-treated alloy steel oder case-hardened steel
- Bushes seamless, case-hardened
- Link plates made of high-strength tempered steel
- Rollers depending on size case-hardened or induction-hardened

## Applications

- Wood processing industry
- Steelmaking industry
- Automotive industry
- Bulk goods transport
- Environmental technology, Recycling



**REQUEST DIRECTLY ONLINE NOW**

<https://www.iwis.com/en-en/products-services/conveyor-chain-mt160-roller-deep-link-chain-mt-series-elite~p4351>

## Useful information



## **CALCULATION PROGRAM**

InduKet: the Chain Drive  
Calculation Program for  
Engineers.

[\*\*iwis.com/chaincalc\*\*](http://iwis.com/chaincalc)



## **CHAIN CALCULATION**

The right drive solution for your  
challenge.

[\*\*chaindrive@iwis.com\*\*](mailto:chaindrive@iwis.com)



## **SERVICES**

ChainFinder, CAD data, iwis  
Chain Handbook and more.

[\*\*iwis.com/services\*\*](http://iwis.com/services)