

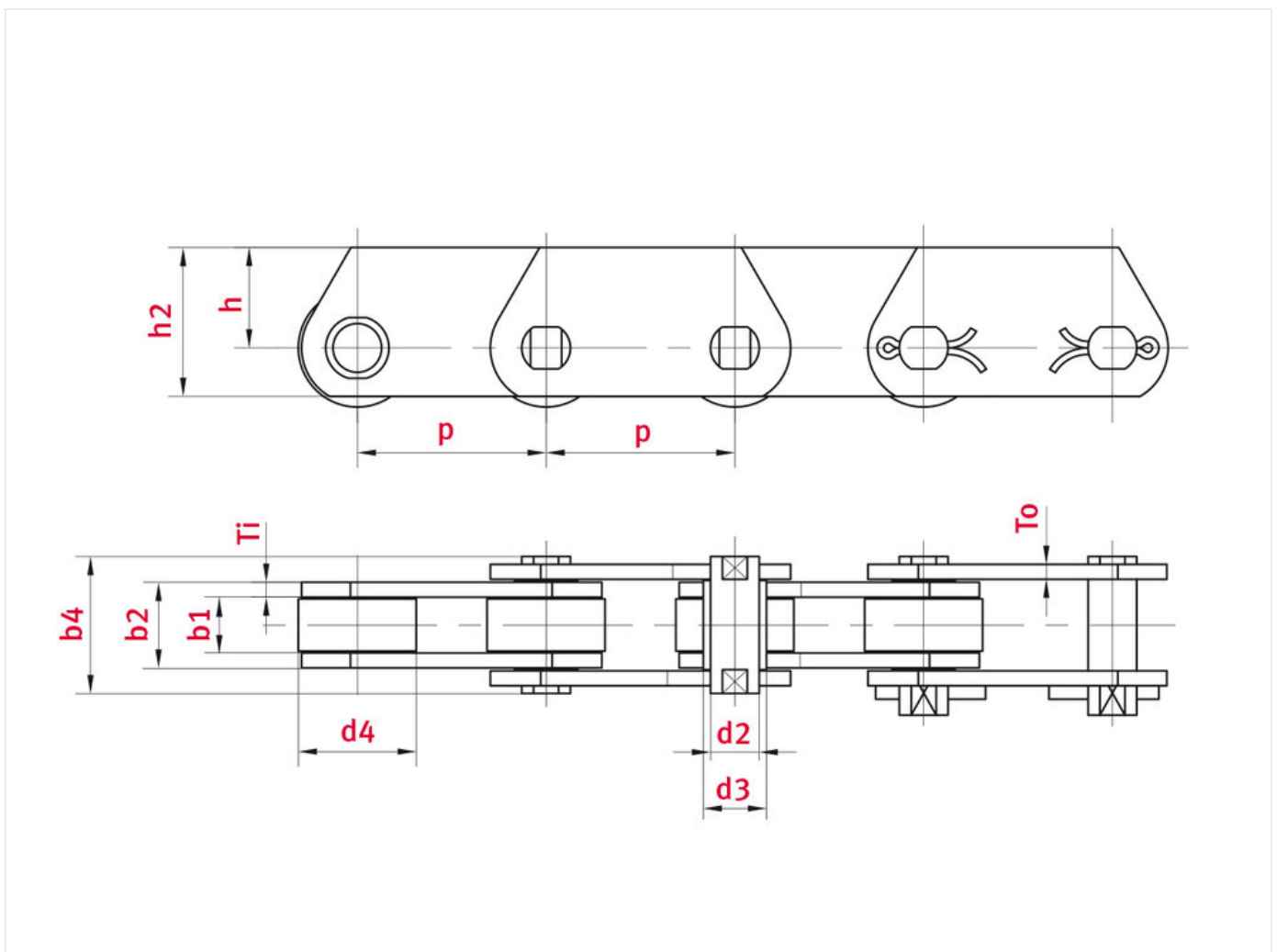


Conveyor chain MT56 Roller deep link chain MT series - ELITE

Part no.: Id6791386b3c1

Brand: ELITE

Model: Roller deep link chain MT series



Technical data

ROLLER CHAIN	MT56
Pitch p (mm)	100
Width between inner plates b1 min. (mm)	24
Pin diameter d2 max. (mm)	10

Product data

Bush diameter d3 max. (mm)	15
Pin length b4 max. (mm)	52
Roller diameter large roller d4 max. (mm)	45
Plate thickness Ti/To (mm)	4
Height inner plate h2 max. (mm) (JWIS: g)	42
Height from middle of chain to top of attachment h (mm)	30
Min. tensile strength ISO/DIN FU (kN)	56
Bearing surface f (cm ²)	3.3

Product Information

Roller deep link chains represent a special design of a normal bush conveyor chain. Here, the tabs are perforated off-center, so that the transported goods can be transported directly on the chain without further attachments.

ELITE-Highlights

- Pins usually made of heat-treated alloy steel oder case-hardened steel
- Bushes seamless, case-hardened
- Link plates made of high-strength tempered steel
- Rollers depending on size case-hardened or induction-hardened

Applications

- Wood processing industry
- Steelmaking industry
- Automotive industry
- Bulk goods transport
- Environmental technology, Recycling



REQUEST DIRECTLY ONLINE NOW

<https://www.iwis.com/en-en/products-services/conveyor-chain-mt56-roller-deep-link-chain-mt-series-elite~p4335>

Useful information



CALCULATION PROGRAM

InduKet: the Chain Drive
Calculation Program for
Engineers.

iwis.com/chaincalc



CHAIN CALCULATION

The right drive solution for your
challenge.

chaindrive@iwis.com



SERVICES

ChainFinder, CAD data, iwis
Chain Handbook and more.

iwis.com/services