

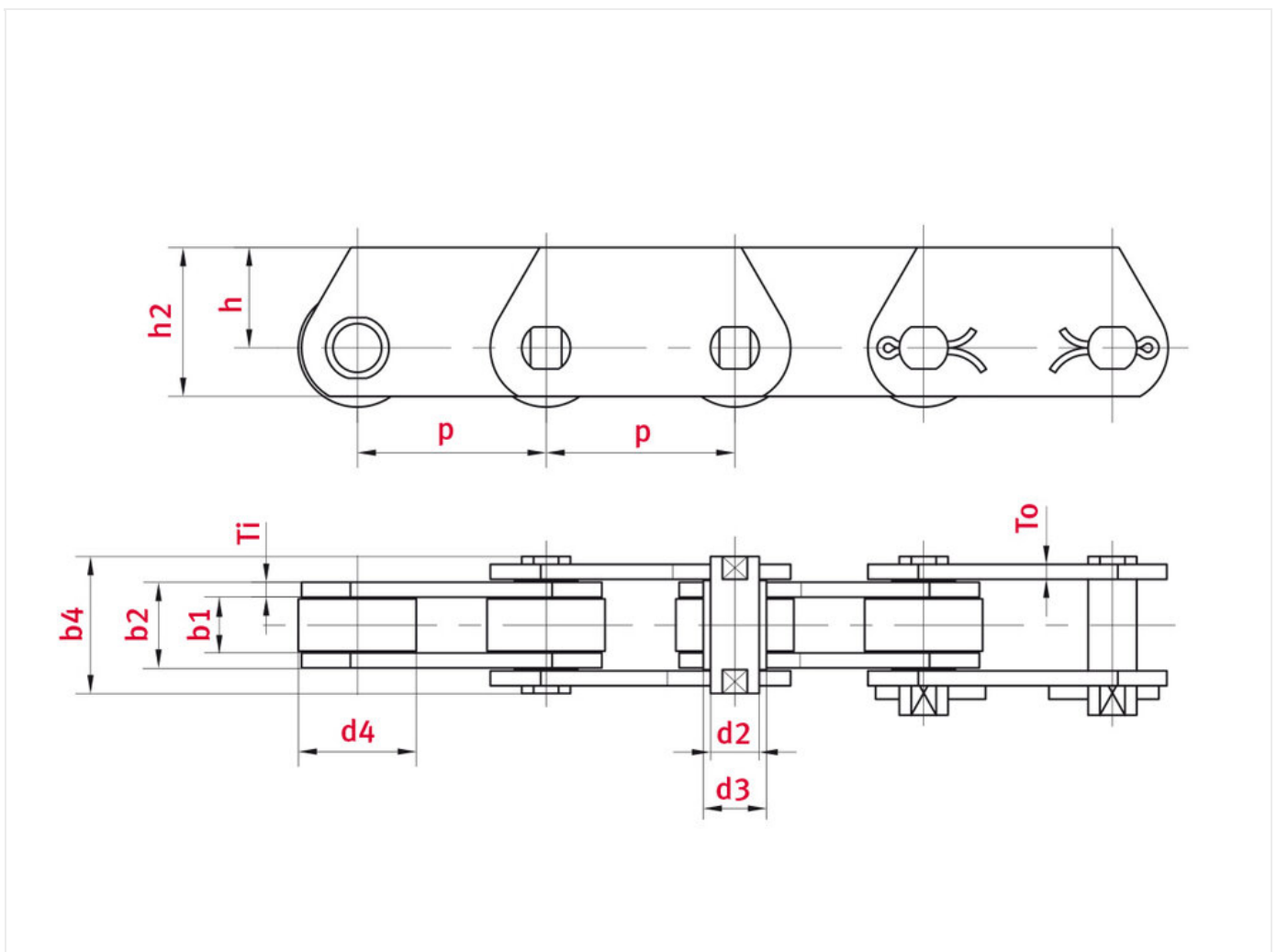


Conveyor chain MT56 Roller deep link chain MT series - ELITE

Part no.: lb540b191ed24

Brand: ELITE

Model: Roller deep link chain MT series



Technical data

ROLLER CHAIN	MT56
Pitch p (mm)	63
Width between inner plates b_1 min. (mm)	24
Pin diameter d_2 max. (mm)	10

Product data

Bush diameter d3 max. (mm)	15
Pin length b4 max. (mm)	52
Roller diameter large roller d4 max. (mm)	45
Plate thickness Ti/To (mm)	4
Height inner plate h2 max. (mm) (JWIS: g)	42
Height from middle of chain to top of attachment h (mm)	30
Min. tensile strength ISO/DIN FU (kN)	56
Bearing surface f (cm ²)	3.3

Product Information

Roller deep link chains represent a special design of a normal bush conveyor chain. Here, the tabs are perforated off-center, so that the transported goods can be transported directly on the chain without further attachments.

ELITE-Highlights

- Pins usually made of heat-treated alloy steel oder case-hardened steel
- Bushes seamless, case-hardened
- Link plates made of high-strength tempered steel
- Rollers depending on size case-hardened or induction-hardened

Applications

- Wood processing industry
- Steelmaking industry
- Automotive industry
- Bulk goods transport
- Environmental technology, Recycling



REQUEST DIRECTLY ONLINE NOW

<https://www.iwis.com/en-en/products-services/conveyor-chain-mt56-roller-deep-link-chain-mt-series-elite~p4333>

Useful information



CALCULATION PROGRAM

InduKet: the Chain Drive
Calculation Program for
Engineers.

iwis.com/chaincalc



CHAIN CALCULATION

The right drive solution for your
challenge.

chaindrive@iwis.com



SERVICES

ChainFinder, CAD data, iwis
Chain Handbook and more.

iwis.com/services