

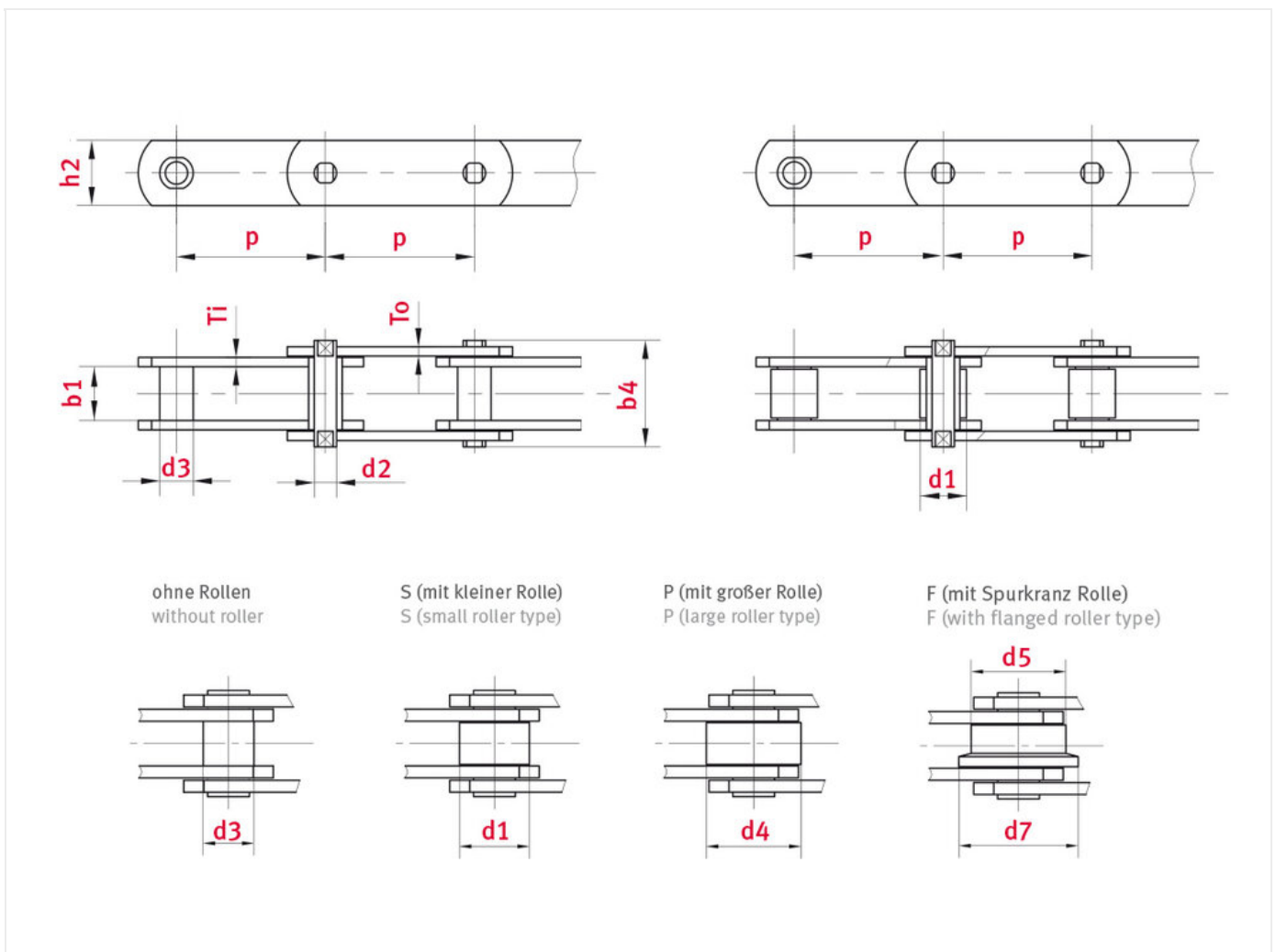


## Conveyor chain FV112 Bush conveyor chain FV series - ELITE

Part no.: I2ef35d13e022

Brand: ELITE

Model: Bush conveyor chain FV series



### Technical data

ROLLER CHAIN	FV112
Pitch $p$ (mm)	100
Width between inner plates $b_1$ min. (mm)	30
Roller diameter $d_1$ max. (mm)	32

Pin diameter d2 max. (mm)	16
Bush diameter d3 max. (mm)	22
Pin length b4 max. (mm)	66
Roller diameter large roller d4 max. (mm)	55
Flanged roller diameter d7 (mm)	87
Plate thickness Ti/To (mm)	6
Height inner plate h2 max. (mm) (JWIS: g)	40
Min. tensile strength ISO/DIN FU (kN)	112
Bearing surface f (cm <sup>2</sup> )	6.8

## Product Information

In the context of the ELITE conveyor chain range, iwis supplies a wide variety of chains according to standards DIN 8165 and DIN 8167, as well as models manufactured according to British Standard with dimensions in inches, and highly diverse special versions. Bush conveyor chains are often used for conveying tasks involving long transport distances at relatively low speeds.

### ELITE highlights

- Pins usually made of heat-treated alloy steel, induction-hardened or tempered
- Bushes made from seamless precision steel tube, case-hardened
- Link plates made of high-strength tempered steel
- Rollers (where present) made of case-hardened steel, case-hardened

## Applications

- Wood processing industry
- Steelmaking industry
- Automotive industry
- Bulk goods transport
- Environmental technology, Recycling



**REQUEST DIRECTLY ONLINE NOW**

<https://www.iwis.com/en-en/products-services/conveyor-chain-fv112-bush-conveyor-chain-fv-series-elite~p4285>

## Useful information



### **CALCULATION PROGRAM**

InduKet: the Chain Drive  
Calculation Program for  
Engineers.

[iwis.com/chaincalc](http://iwis.com/chaincalc)



### **CHAIN CALCULATION**

The right drive solution for your  
challenge.

[chaindrive@iwis.com](mailto:chaindrive@iwis.com)



### **SERVICES**

ChainFinder, CAD data, iwis  
Chain Handbook and more.

[iwis.com/services](http://iwis.com/services)