



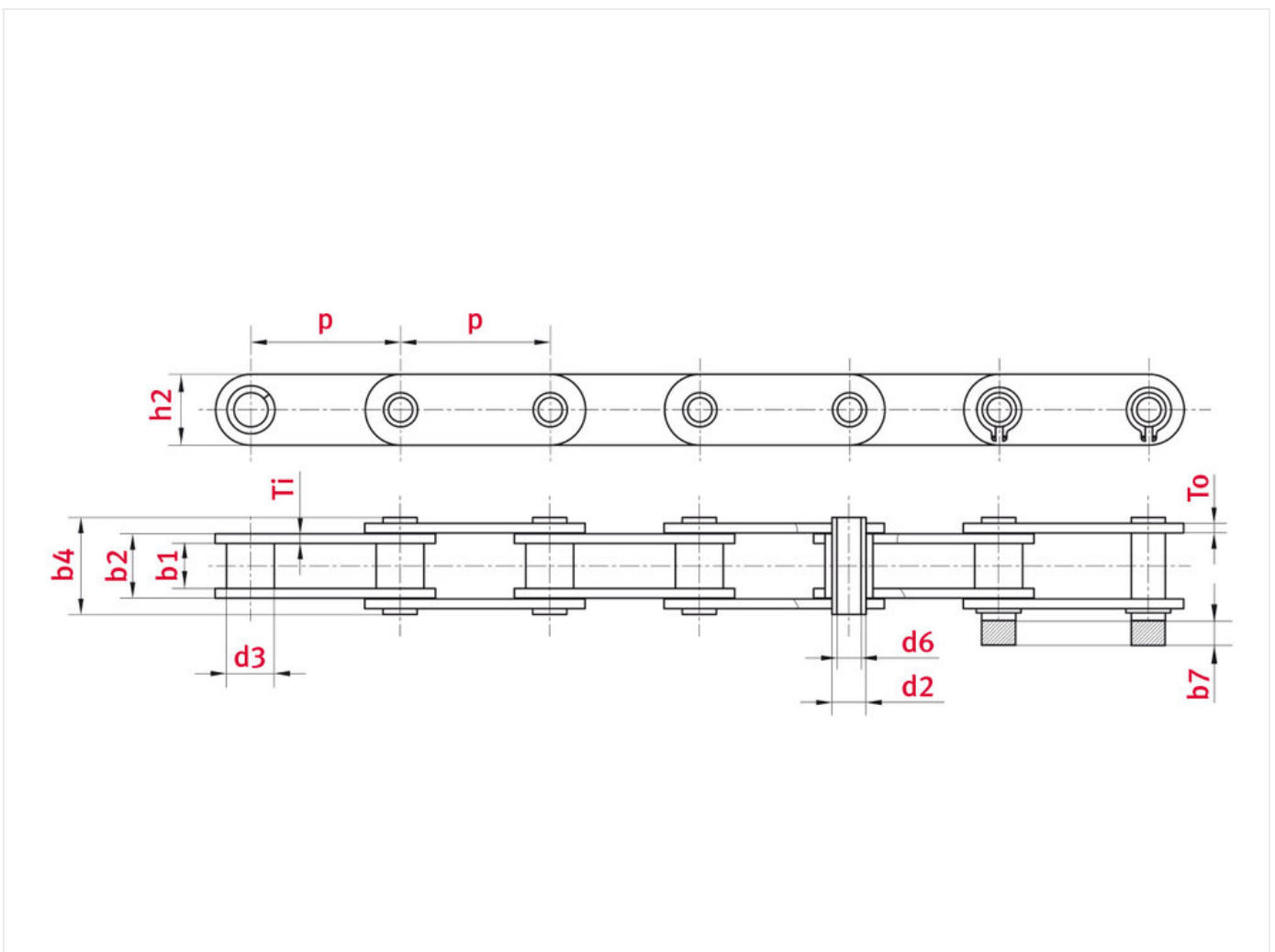
## Hollow pin chain C2040HP-1 Double pitch - ELITE

Part no.: I2d71693da8fc

Packaging Unit: 5m

Brand: ELITE

Model: Double pitch



### Technical data

ROLLER CHAIN	2040
Pitch $p$ (mm)	25,4
Width between inner plates $b_1$ min. (mm)	7,85
Pin diameter $d_2$ max. (mm)	5,63

Bush diameter d3 max. (mm)	7,95
Pin length b4 max. (mm)	17,8
Hollow pin inner diameter d6 min. (mm)	4
Max. add. length of connecting link b7 max. (mm)	3,9
Plate thickness Ti/To (mm)	1,5
Height inner plate h2 max. (mm) (JWIS: g)	12
Min. tensile strength ISO/DIN FU (kN)	11
Weight per meter (kg)	0,46
Bearing surface f (cm <sup>2</sup> )	0,63

## Product Information

Hollow pin roller chains feature links of similar design to those in ISO roller chains; as they also consist of pin, bush and small roller, most hollow pin chains of this type also fit the same sprockets as the corresponding standard specification chains.

### ELITE highlights

- Available based on the same chains manufactured to ISO 1275 or as special chains
- Solid, case hardened rollers with good wear resistance
- In general, hollow pins made of seamless precision steel tube for improved precision and wear resistance
- Many of these chains are supplied pair-matched to ensure exact parallel running, one of the main requirements that these chains must fulfil

## Applications

- Conveyor technology
- Food processing industry
- Measurement and testing technology
- Feeding and automation technology



**REQUEST DIRECTLY ONLINE NOW**

<https://www.iwis.com/en-en/products-services/hollow-pin-chain-c2040hp-1-double-pitch-elite~p3985>

## Useful information



### **CALCULATION PROGRAM**

InduKet: the Chain Drive  
Calculation Program for  
Engineers.

[iwis.com/chaincalc](http://iwis.com/chaincalc)



### **CHAIN CALCULATION**

The right drive solution for your  
challenge.

[chaindrive@iwis.com](mailto:chaindrive@iwis.com)



### **SERVICES**

ChainFinder, CAD data, iwis  
Chain Handbook and more.

[iwis.com/services](http://iwis.com/services)