



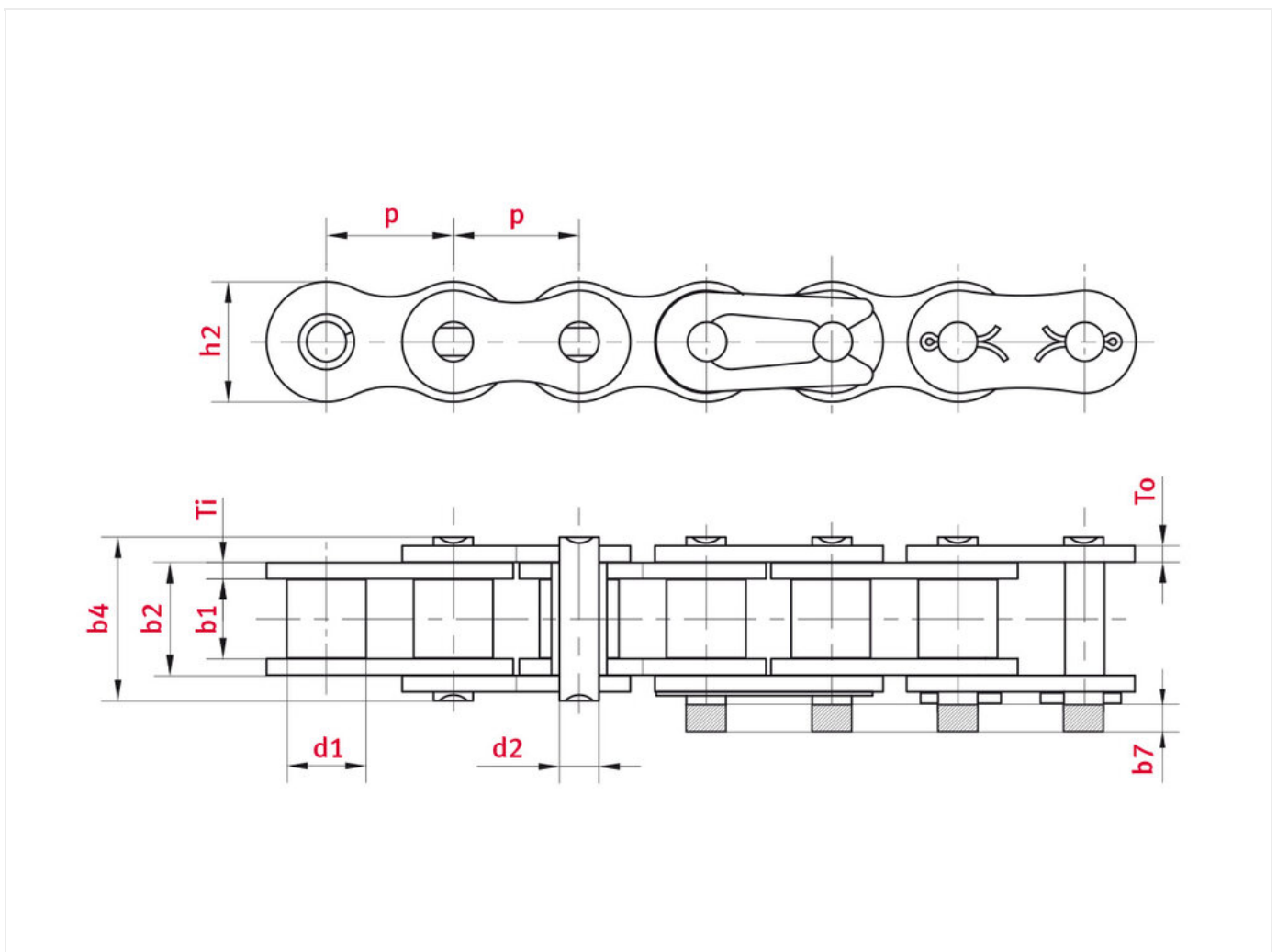
Roller chain 20B-1, zinc-plated - ELITE

Part no.: I5e347bb9a2fb

Packaging Unit: 5m

Brand: ELITE

Surface: zinc-plated



Technical data

ROLLER CHAIN	20B
Pitch p (mm)	31,75
Width between inner plates b1 min. (mm)	19,56
Roller diameter d1 max. (mm)	19,05

Pin diameter d2 max. (mm)	10,19
Pin length b4 max. (mm)	43,2
Max. add. length of connecting link b7 max. (mm)	6,1
Plate thickness Ti/To (mm)	4,50/3,50
Height inner plate h2 max. (mm) (JWIS: g)	26,42
Min. tensile strength ISO/DIN FU (kN)	82,6
Weight per meter (kg)	3,7
Bearing surface f (cm ²)	2,96

Product Information

Zinc-plated chains are used primarily in outdoor applications where there is no protection against adverse weather conditions. Zinc protects the chain against rusting in two different ways. Firstly, the zinc forms an unbroken layer around chain components to prevent water, salt and oxygen from coming into direct contact with the steel link plate; secondly, zinc acts as a “sacrificial anode” in the event of damage to the chain and protects important load-bearing components against corrosion.

Product highlights

- The dimensions of all zinc-plated and nickel-plated ELITE-chains comply with the requirements of ISO 606 and the chains are interchangeable with standard chains
- Zinc-plated and nickel-plated chains are prestretched to 30 % of breaking load
- All chain plates are tapered and zinc or nickel plated
- Chains are fitted with seamless rollers; zinc or nickel plating available
- Pins offer a high level of corrosion protection and wear resistance
- The load capacity of zinc- or nickel-plated ELITE chains is similar to that of comparable standard chains
- Both chain types are generally supplied lightly oiled

Applications

- Packaging industry
- Solar and energy technology
- Wood processing industry
- Environmental technology, Recycling

REQUEST DIRECTLY ONLINE NOW

<https://www.iwis.com/en-en/products-services/roller-chain-20b-1-zinc-plated-elite~p3950>

Useful information

CALCULATION PROGRAM

InduKet: the Chain Drive Calculation Program for Engineers.

[iwis.com/chaincalc](https://www.iwis.com/chaincalc)

CHAIN CALCULATION

The right drive solution for your challenge.

chaindrive@iwis.com

SERVICES

ChainFinder, CAD data, iwis Chain Handbook and more.

[iwis.com/services](https://www.iwis.com/services)