

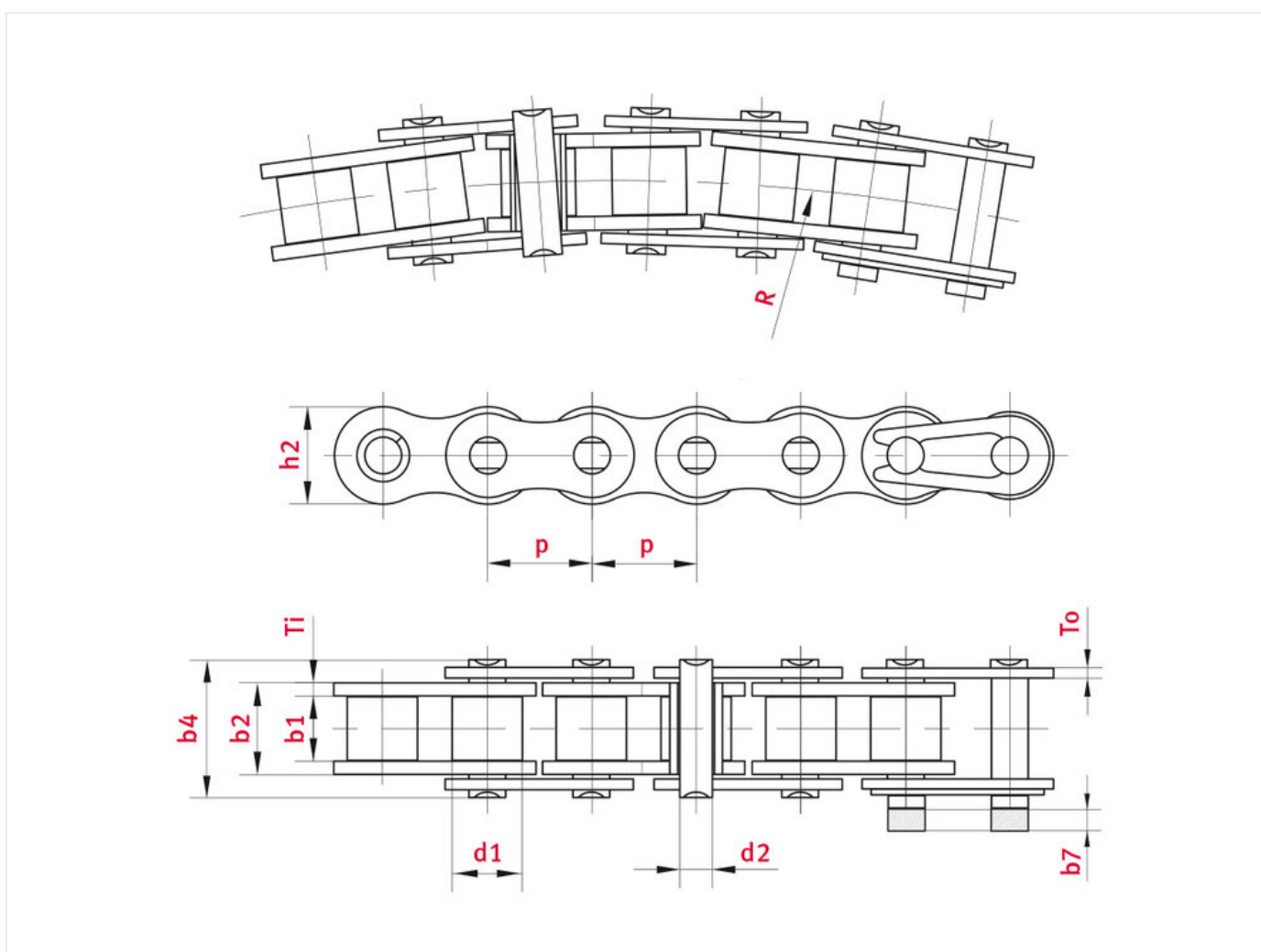


Side bow chain 60-1 - ELITE

Part no.: I6cf2ae85ac86

Packaging Unit: 5m

Brand: ELITE



Technical data

ROLLER CHAIN	60
Pitch p (mm)	19,05
Width between inner plates b1 min. (mm)	12,57
Roller diameter d1 max. (mm)	11,91

Pin diameter d2 max. (mm)	5,08
Pin length b4 max. (mm)	25,6
Max. add. length of connecting link b7 max. (mm)	2,1
Plate thickness Ti/To (mm)	2,4
Height inner plate h2 max. (mm) (JWIS: g)	18,1
Min. tensile strength ISO/DIN FU (kN)	24
Weight per meter (kg)	1,54
Bearing surface f (cm ²)	2,11
Side bow radius R min. (mm)	500

Product Information

Side bow chains are generally used as conveyor or drag chains in applications which require a curved track. The chains run around a variety of curves with different radii. A reduced pin diameter enables these chains to negotiate bends, but conical pins or biconical bushes are also possible.

ELITE roller chains have a high wear resistance and significantly higher fatigue strength than the standard requires. The right choice for industrial applications: robust and reliable. All ELITE transmission roller chains are highly pre-tensioned and treated with our special additive chain oil eliDUR+, a high-tech initial lubricant. Non-drip eliDUR+ offers not only the added advantage of improved running characteristics, but also provides better corrosion protection.

Highlights:

- Production on the basis of ISO 606
- Compatible with standard sprockets
- Available with special lubrication, special coatings, or in stainless steel versions on request
- As the usual applications for these chains allow initial lubrication with low-viscosity oil, only a light film of oil remains on the surface
- ELITE side bow chains can be used as basic chains for our FLEXON flat top chain range

Applications

- Warehouse technology, materials-handling industry
- Conveyor technology
- Electronics industry and PCB manufacture
- Feeding and automation technology
- Textile and clothing industry

REQUEST DIRECTLY ONLINE NOW

<https://www.iwis.com/en-en/products-services/side-bow-chain-60-1-elite~p3903>

Useful information

CALCULATION PROGRAM

InduKet: the Chain Drive Calculation Program for Engineers.

[iwis.com/chaincalc](https://www.iwis.com/chaincalc)

CHAIN CALCULATION

The right drive solution for your challenge.

chaindrive@iwis.com

SERVICES

ChainFinder, CAD data, iwis Chain Handbook and more.

[iwis.com/services](https://www.iwis.com/services)