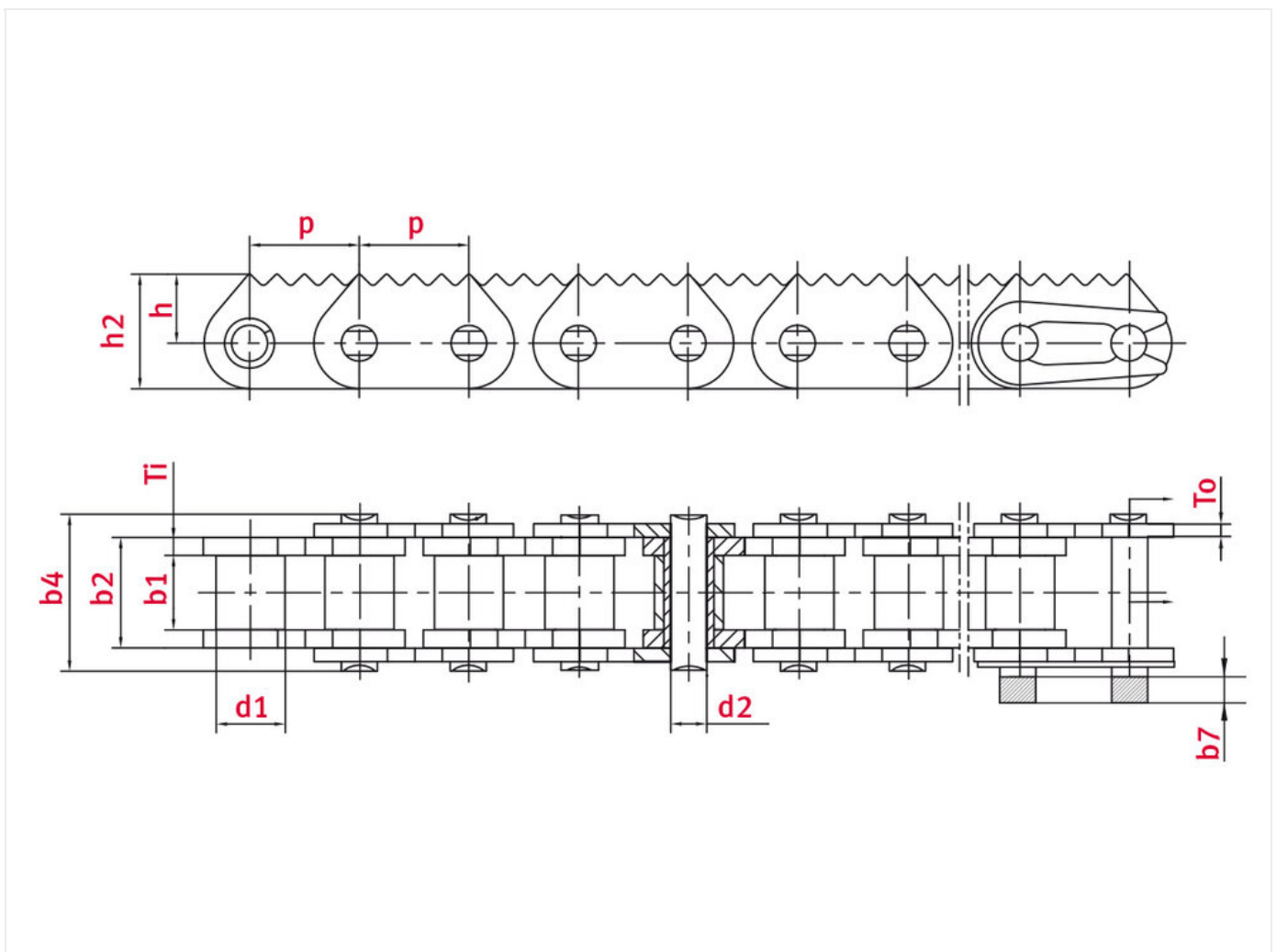


## Roller chain with sawtooth plates 16B-1 ZL5 - ELITE

Part no.: 81013456  
Packaging Unit: 5m

Brand: ELITE  
Model: ZL5



### Technical data

ROLLER CHAIN	16B
Pitch p (mm)	25,4
Width between inner plates b1 min. (mm)	17,02
Roller diameter d1 max. (mm)	15,88

Pin diameter d2 max. (mm)	8,28
Pin length b4 max. (mm)	36,1
Max. add. length of connecting link b7 max. (mm)	5,4
Total width inner link b2 max. (mm)	25,45
Plate thickness Ti/To (mm)	4,15/3,10
Height inner plate h2 max. (mm) (JWIS: g)	26,5
Height from middle of chain to top of attachment h (mm)	16
Min. tensile strength ISO/DIN FU (kN)	60
Weight per meter (kg)	2,95
Bearing surface f (cm <sup>2</sup> )	2,11

## Product Information

ELITE roller chains with sawtooth plates are extremely wearresistant and designed for optimum fatigue strength. They are used mainly in the wood processing industry for transporting raw timber and sawn planks.

### ELITE highlights

- Our chains are based on the minimum requirements set out in standard ISO 606
- The steel alloys used are case-hardened and tempered
- Heat treatment of all chain parts is optimized to suit size and application
- All roller chains are prestretched to > 40 % of breaking load as standard
- The high quality assurance standard fulfils the requirements of ISO 9001
- Plates are shot-blasted for maximum fatigue strength
- Seamless, cold-extruded, shot-blasted rollers with extremely regular wall thickness
- ELITE pins are smooth and have an extra hard surface for increased wear resistance

## Applications

- Wood processing industry
- Mechanical engineering and systems construction

**REQUEST DIRECTLY ONLINE NOW**

<https://www.iwis.com/en-en/products-services/roller-chain-with-sawtooth-plates-16b-1-zl5-elite~p3504>

## Useful information



### **CALCULATION PROGRAM**

InduKet: the Chain Drive  
Calculation Program for  
Engineers.

[iwis.com/chaincalc](http://iwis.com/chaincalc)



### **CHAIN CALCULATION**

The right drive solution for your  
challenge.

[chaindrive@iwis.com](mailto:chaindrive@iwis.com)



### **SERVICES**

ChainFinder, CAD data, iwis  
Chain Handbook and more.

[iwis.com/services](http://iwis.com/services)