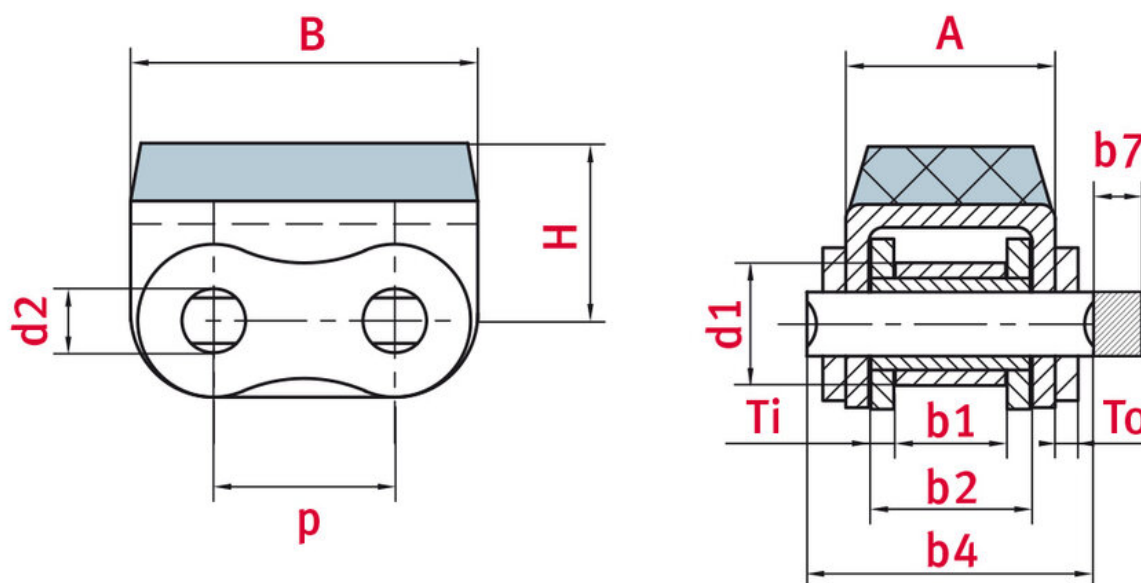




## Elastomer profile chain 20B-1 Profile 1 - ELITE

Part no.: 81014184  
Packaging Unit: 5m

Brand: ELITE  
Model: Profile 1



### Technical data

| ROLLER CHAIN                              | 20B   |
|---|-------|
| Pitch $p$ (mm)                            | 31,75 |
| Width between inner plates $b1$ min. (mm) | 19,56 |
| Roller diameter $d1$ max. (mm)            | 19,05 |

|  |           |
|--|-----------|
| Pin diameter d2 max. (mm)                        | 10,19     |
| Pin length b4 max. (mm)                          | 48,5      |
| Max. add. length of connecting link b7 max. (mm) | 6,1       |
| Total width inner link b2 max. (mm)              | 29,01     |
| Plate thickness Ti/To (mm)                       | 4,5 / 3,5 |
| Min. tensile strength ISO/DIN FU (kN)            | 95        |
| Weight per meter (kg)                            | 6,19      |
| Bearing surface f (cm <sup>2</sup> )             | 2,96      |
| Attachment dimensions A (mm)                     | 36,3      |
| Attachment dimensions B (mm)                     | 58        |
| Attachment dimensions H (mm)                     | 27        |

## Product Information

Roller chains with elastomer profiles are ideal for applications where fragile goods require gentle conveyor handling. ELITE chains are used for transporting goods that should not be scratched, such as coated or thin sheet metal, planed timber planks or pipes. The material iwis uses for the ELITE product range is nitrile butadiene rubber (NBR) with a hardness of 80 Shore A. NBR offers the optimum combination of cohesive friction, abrasion resistance and durability. Other profile types are possible for special applications and can be supplied on request.

### ELITE highlights

- All ELITE chain plates are tapered and shot-blasted; production processes such as fine blanking and ball-drifting ensure a particularly high contact ratio
- Seamless, cold-extruded, shot-blasted rollers with extremely regular wall thickness
- The standard rubber profile is nitrile butadiene rubber (NBR) with a hardness of 80 Shore A.
- NBR combines the best characteristics of cohesive friction, abrasion resistance and durability.
- Chains with natural rubber or polyurethane profiles are available on request.
- Operating temperature range: -30 °C to +100 °C (at changed hardness and friction values)

## Applications

- Conveyor technology
- Warehouse technology, materials-handling industry
- Assembly and industrial handling systems
- Wood processing industry

**REQUEST DIRECTLY ONLINE NOW**

<https://www.iwis.com/en-en/products-services/elastomer-profile-chain-20b-1-profile-1-elite~p3491>

## Useful information

### **CALCULATION PROGRAM**

InduKet: the Chain Drive Calculation Program for Engineers.

[iwis.com/chaincalc](https://www.iwis.com/chaincalc)

### **CHAIN CALCULATION**

The right drive solution for your challenge.

[chaindrive@iwis.com](mailto:chaindrive@iwis.com)

### **SERVICES**

ChainFinder, CAD data, iwis Chain Handbook and more.

[iwis.com/services](https://www.iwis.com/services)