



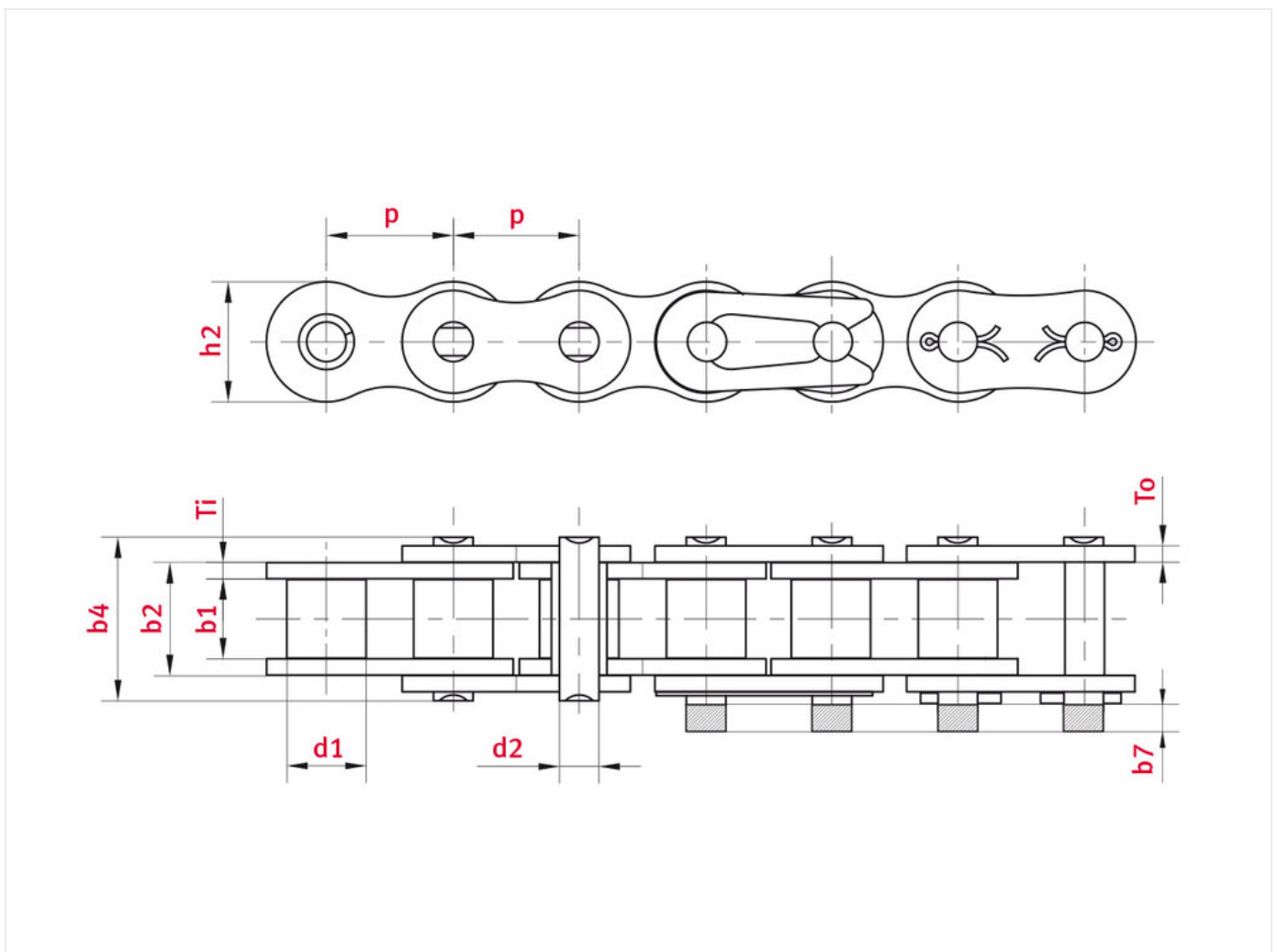
## Roller chain 08B-1, nickel-plated - ELITE

Part no.: 81013307

Packaging Unit: 5m

Brand: ELITE

Surface: nickel-plated



## Technical data

ROLLER CHAIN	08B
Pitch p (mm)	12,7
Width between inner plates b1 min. (mm)	7,75
Roller diameter d1 max. (mm)	8,51

Pin diameter d2 max. (mm)	4,45
Pin length b4 max. (mm)	17
Max. add. length of connecting link b7 max. (mm)	3,9
Total width inner link b2 max. (mm)	11,3
Plate thickness Ti/To (mm)	1,60/1,60
Height inner plate h2 max. (mm) (JWIS: g)	11,81
Min. tensile strength ISO/DIN FU (kN)	17,8
Weight per meter (kg)	0,69
Bearing surface f (cm <sup>2</sup> )	0,5

## Product Information

Nickel-plated chains are used mainly in the food and packaging industry; the characteristic properties of nickel make it a particularly suitable coating metal for numerous applications. It is impervious not only to water and air, but also to a variety of acids and alkalis.

### Product highlights

- The dimensions of all zinc-plated and nickel-plated ELITE-chains comply with the requirements of ISO 606 and the chains are interchangeable with standard chains
- Zinc-plated and nickel-plated chains are prestretched to 30 % of breaking load
- All chain plates are tapered and zinc or nickel plated
- Chains are fitted with seamless rollers; zinc or nickel plating available
- Pins offer a high level of corrosion protection and wear resistance
- The load capacity of zinc- or nickel-plated ELITE chains is similar to that of comparable standard chains
- Both chain types are generally supplied lightly oiled

## Applications

- Food processing industry
- Packaging industry
- Solar and energy technology

**REQUEST DIRECTLY ONLINE NOW**

<https://www.iwis.com/en-en/products-services/roller-chain-08b-1-nickel-plated-elite~p3446>

## Useful information



### **CALCULATION PROGRAM**

InduKet: the Chain Drive  
Calculation Program for  
Engineers.

[iwis.com/chaincalc](http://iwis.com/chaincalc)



### **CHAIN CALCULATION**

The right drive solution for your  
challenge.

[chaindrive@iwis.com](mailto:chaindrive@iwis.com)



### **SERVICES**

ChainFinder, CAD data, iwis  
Chain Handbook and more.

[iwis.com/services](http://iwis.com/services)