

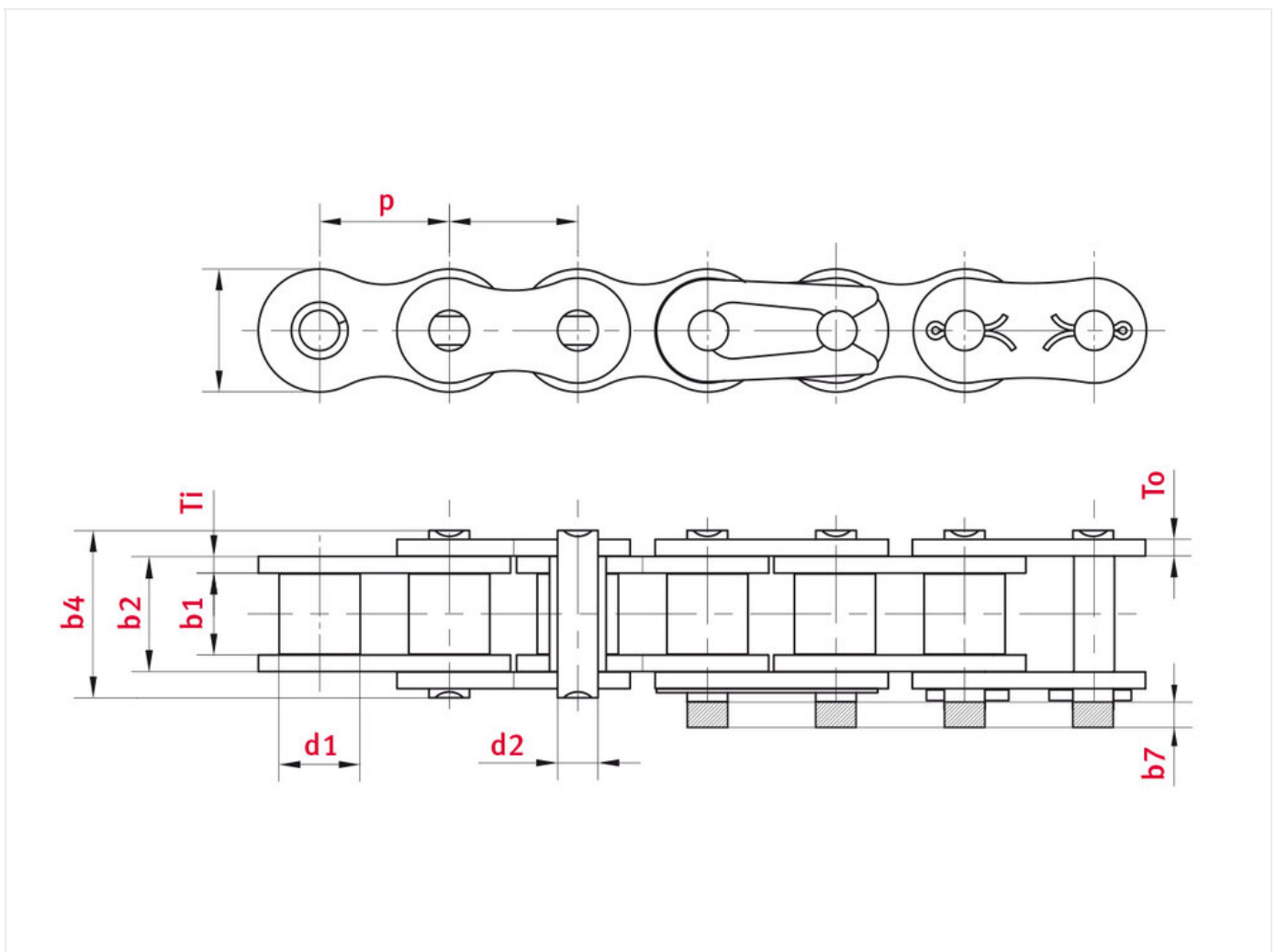


Roller chain 428-1 - ELITE

Part no.: 81013330

Packaging Unit: 5m

Brand: ELITE



Technical data

ROLLER CHAIN	428
Pitch p (mm)	12,7
Width between inner plates b1 min. (mm)	7,75
Roller diameter d1 max. (mm)	8,51

Pin diameter d2 max. (mm)	4,45
Pin length b4 max. (mm)	18,5
Max. add. length of connecting link b7 max. (mm)	1,8
Total width inner link b2 max. (mm)	12
Plate thickness Ti/To (mm)	2
Height inner plate h2 max. (mm) (JWIS: g)	11,8
Min. tensile strength ISO/DIN FU (kN)	23
Weight per meter (kg)	0,79
Bearing surface f (cm ²)	0,53

Product Information

These chains were the result of various specific customer requests, such as a demand for increased load capacity without additional space or chains designed to fit in a restricted installation space. Some versions were originally derived from bicycle or motorcycle chains. Their specifications are as diverse as their applications.

ELITE roller chains have a high wear resistance and significantly higher fatigue strength than the standard requires. The right choice for industrial applications: robust and reliable. All ELITE transmission roller chains are highly pre-tensioned and treated with our special additive chain oil eliDUR+, a high-tech initial lubricant. Non-drip eliDUR+ offers not only the added advantage of improved running characteristics, but also provides better corrosion protection.

Highlights

- Works standard chains are supplied with initial lubrication
- All chains are pre-stretched with 30 – 50% of breaking strength
- Length tolerances: 0.15% of nominal length
- Higher breaking strengths
- Seamless, cold-extruded, shot-blasted rollers with extremely regular wall thickness

Applications

- Warehouse technology, materials-handling industry
- Conveyor technology
- Assembly and industrial handling systems
- Wood processing industry
- Mechanical engineering and systems construction
- Glass, ceramic and building material industry
- Environmental technology, Recycling

REQUEST DIRECTLY ONLINE NOW

<https://www.iwis.com/en-en/products-services/roller-chain-428-1-elite~p3364>

Useful information

CALCULATION PROGRAM

InduKet: the Chain Drive Calculation Program for Engineers.

[iwis.com/chaincalc](https://www.iwis.com/chaincalc)

CHAIN CALCULATION

The right drive solution for your challenge.

chaindrive@iwis.com

SERVICES

ChainFinder, CAD data, iwis Chain Handbook and more.

[iwis.com/services](https://www.iwis.com/services)