

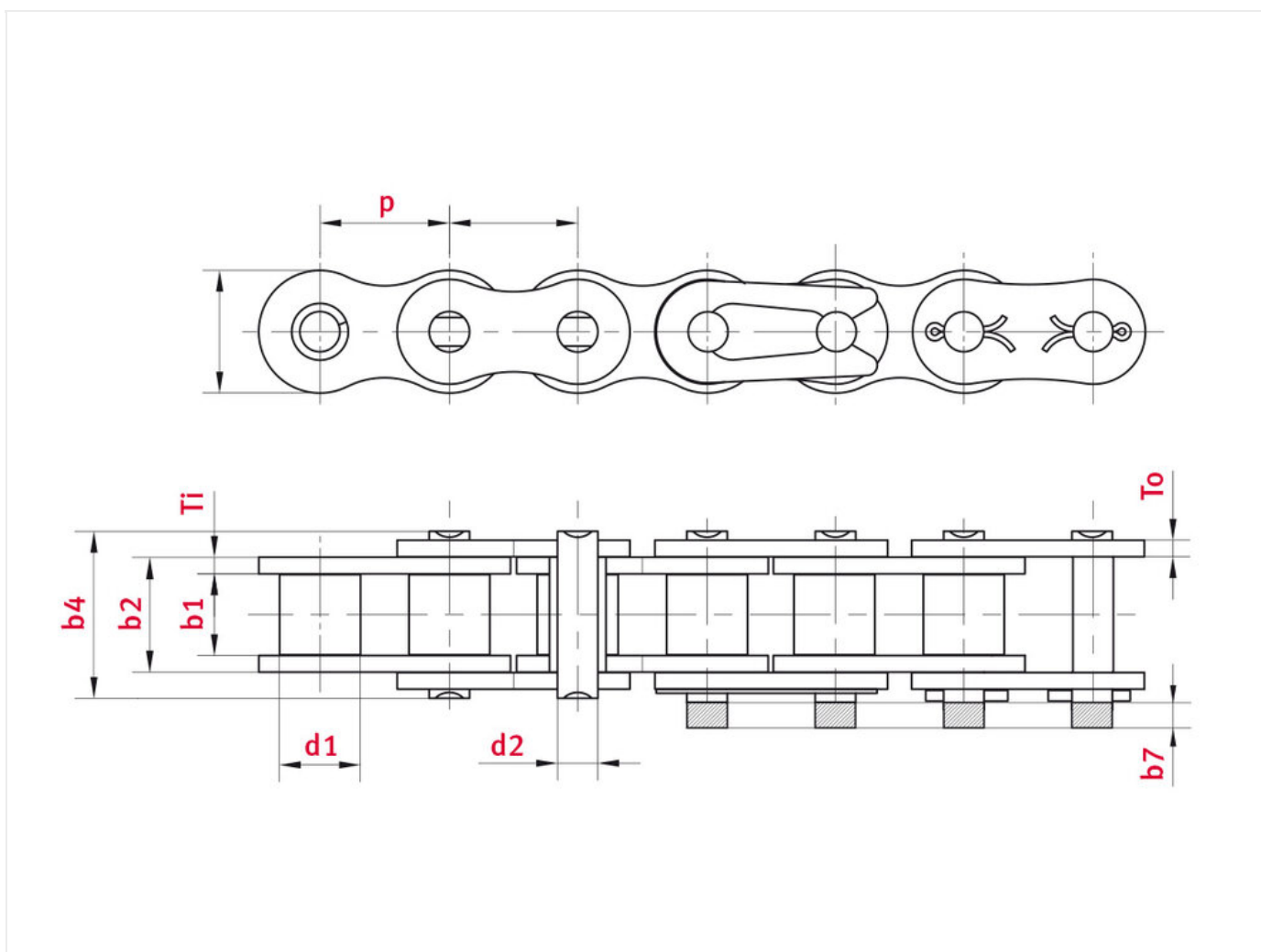


Roller chain 084-1 - ELITE

Part no.: 81013929

Packaging Unit: 5m

Brand: ELITE



Technical data

| | |
|---|------|
| ROLLER CHAIN | 084 |
| Pitch p (mm) | 12,7 |
| Width between inner plates b1 min. (mm) | 4,88 |
| Roller diameter d1 max. (mm) | 7,75 |

| | |
|--|-------|
| Pin diameter d2 max. (mm) | 4,09 |
| Pin length b4 max. (mm) | 14,8 |
| Max. add. length of connecting link b7 max. (mm) | 1,5 |
| Total width inner link b2 max. (mm) | 8,8 |
| Plate thickness Ti/To (mm) | 1,8 |
| Height inner plate h2 max. (mm) (JWIS: g) | 11,15 |
| Min. tensile strength ISO/DIN FU (kN) | 15,6 |
| Weight per meter (kg) | 0,51 |
| Bearing surface f (cm ²) | 0,36 |

Product Information

These chains were the result of various specific customer requests, such as a demand for increased load capacity without additional space or chains designed to fit in a restricted installation space. Some versions were originally derived from bicycle or motorcycle chains. Their specifications are as diverse as their applications.

ELITE roller chains have a high wear resistance and significantly higher fatigue strength than the standard requires. The right choice for industrial applications: robust and reliable. All ELITE transmission roller chains are highly pre-tensioned and treated with our special additive chain oil eliDUR+, a high-tech initial lubricant. Non-drip eliDUR+ offers not only the added advantage of improved running characteristics, but also provides better corrosion protection.

Highlights

- Works standard chains are supplied with initial lubrication
- All chains are pre-stretched with 30 – 50% of breaking strength
- Length tolerances: 0.15% of nominal length
- Higher breaking strengths
- Seamless, cold-extruded, shot-blasted rollers with extremely regular wall thickness

Applications

- Warehouse technology, materials-handling industry
- Conveyor technology
- Assembly and industrial handling systems
- Wood processing industry
- Mechanical engineering and systems construction
- Glass, ceramic and building material industry
- Environmental technology, Recycling

REQUEST DIRECTLY ONLINE NOW

<https://www.iwis.com/en-en/products-services/roller-chain-084-1-elite~p3353>

Useful information

CALCULATION PROGRAM

InduKet: the Chain Drive Calculation Program for Engineers.

[iwis.com/chaincalc](https://www.iwis.com/chaincalc)

CHAIN CALCULATION

The right drive solution for your challenge.

chaindrive@iwis.com

SERVICES

ChainFinder, CAD data, iwis Chain Handbook and more.

[iwis.com/services](https://www.iwis.com/services)