



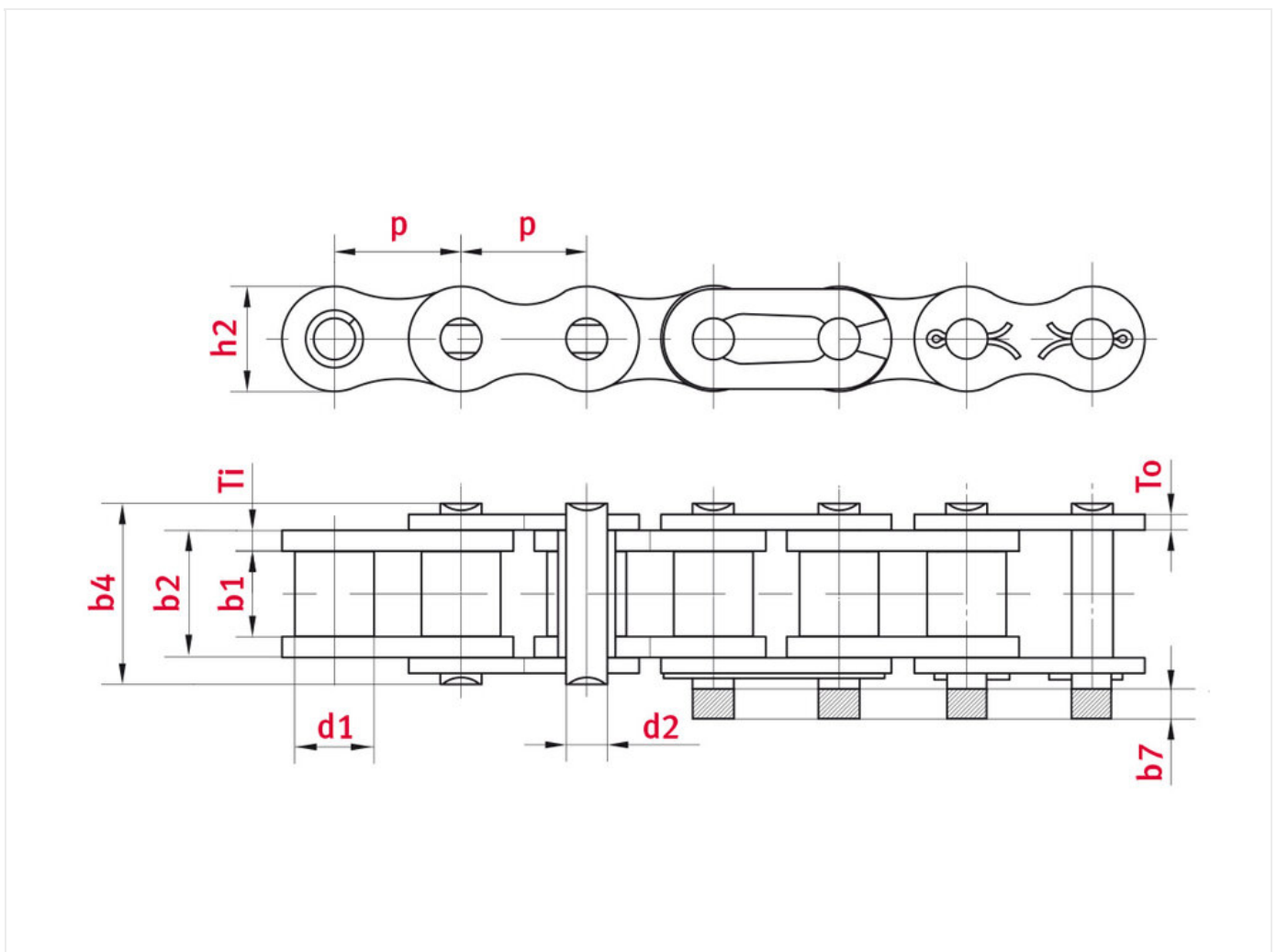
## Roller chain 100-1 Heavy series H.SP - ELITE

Part no.: 81014298

Packaging Unit: 5m

Brand: ELITE

Model: Heavy series H.SP



### Technical data

ROLLER CHAIN	100
Pitch p (mm)	31,75
Width between inner plates b1 min. (mm)	18,9
Roller diameter d1 max. (mm)	19,05

## Product data

Pin diameter d2 max. (mm)	9,54
Pin length b4 max. (mm)	44,5
Max. add. length of connecting link b7 max. (mm)	6,1
Total width inner link b2 max. (mm)	29,1
Plate thickness Ti/To (mm)	4,7
Height inner plate h2 max. (mm) (JWIS: g)	30,17
Min. tensile strength ISO/DIN FU (kN)	133,5
Weight per meter (kg)	4,52
Bearing surface f (cm <sup>2</sup> )	2,78

## Product Information

ELITE high-performance chains “Heavy” series

ANSI chains, as well as specially strengthened versions of chains manufactured to the European standard are available for applications with extremely high loads. “Heavy” versions of ANSI roller chains have the same dimensions as the corresponding ANSI chains, but with plates of the same thickness as those of the next larger size of chain.

H.SP roller chains are made from particularly high-quality casehardened steel alloys for increased tensile strength. In addition, the pin holes in the chain plates are ball-drifted to give the chains maximum fatigue strength.

The right choice for industrial applications: robust and reliable. All ELITE transmission roller chains are highly pre-tensioned and treated with our special additive chain oil eliDUR+, a high-tech initial lubricant. Non-drip eliDUR+ offers not only the added advantage of improved running characteristics, but also provides better corrosion protection.

ELITE highlights:

- Approx. 40% higher breaking strength is applied to pre-stretch our chains by 10% more than required by standard ISO 606
- Initial lubrication with eliDUR+ ensures extremely high wear resistance
- Low run-in elongation
- Tensile strength on average 20% higher than required by standard ISO 606
- ELITE pins have a smooth, extra- hard surface for increased wear resistance
- Operating temperature range with eliDUR+ standard lubrication: -5 °C to +70 °C
- All versions also available in coated form
- If required, we can deliver your chains ready-made to the desired length
- Special lubricants for low temperatures down to -30 °C or high temperature applications up to +250 °C available on request
- On request, iwis delivers chains pair-matched or set-matched and marked

## Applications

- Agricultural machinery
- Wood processing industry
- Environmental technology, Recycling
- Lifting devices, Fork lifts

**REQUEST DIRECTLY ONLINE NOW**

<https://www.iwis.com/en-en/products-services/roller-chain-100-1-heavy-series-hsp-elite~p3330>

## Useful information

### **CALCULATION PROGRAM**

InduKet: the Chain Drive Calculation Program for Engineers.

[iwis.com/chaincalc](https://www.iwis.com/chaincalc)

### **CHAIN CALCULATION**

The right drive solution for your challenge.

[chaindrive@iwis.com](mailto:chaindrive@iwis.com)

### **SERVICES**

ChainFinder, CAD data, iwis Chain Handbook and more.

[iwis.com/services](https://www.iwis.com/services)