

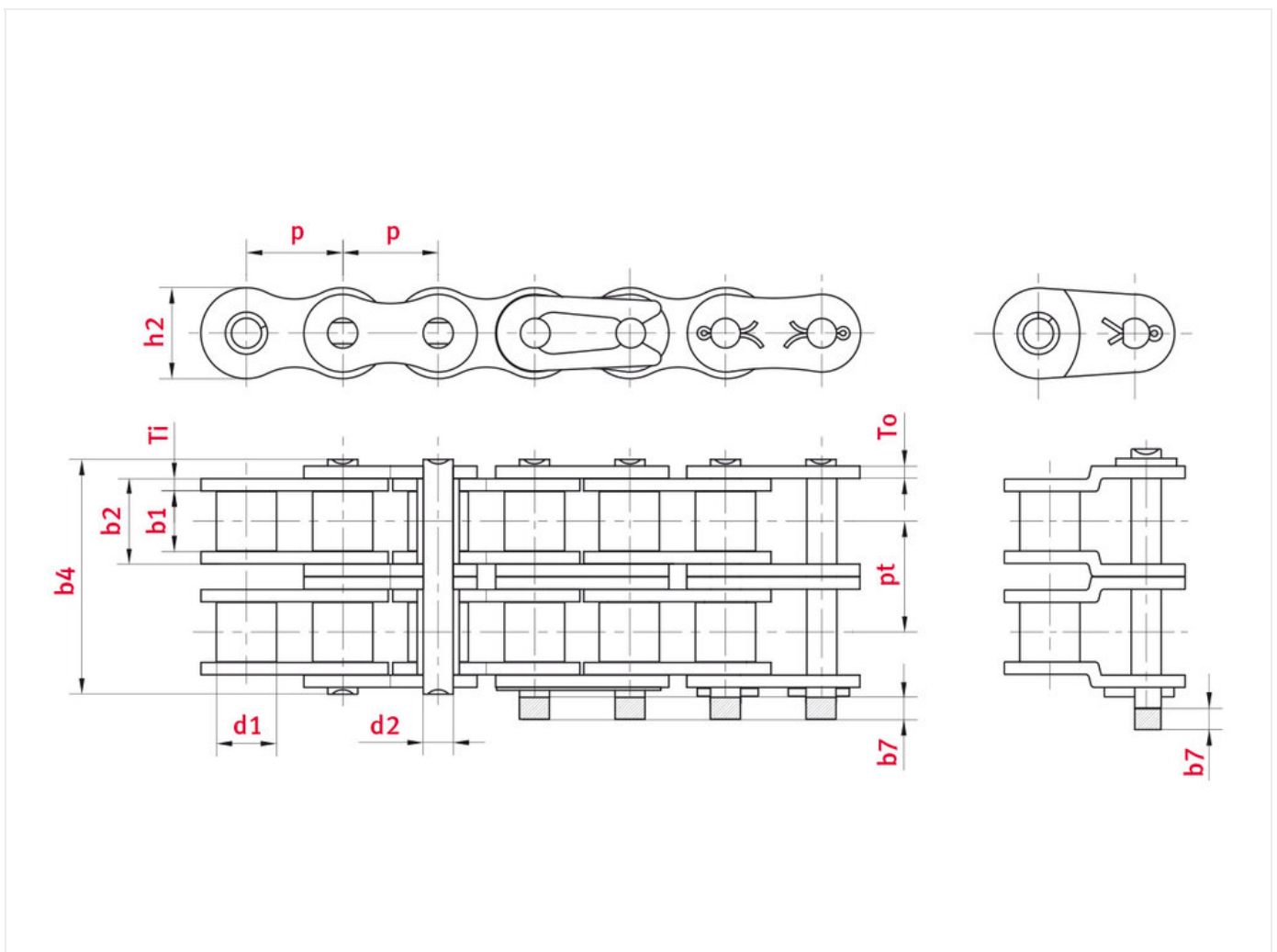


Roller chain 100-2 - ELITE

Part no.: 81013225

Packaging Unit: 5m

Brand: ELITE



Technical data

| | |
|---|-------|
| ROLLER CHAIN | 100 |
| Pitch p (mm) | 31,75 |
| Width between inner plates b1 min. (mm) | 18,9 |
| Roller diameter d1 max. (mm) | 19,05 |

Product data

| | |
|--|-----------|
| Pin diameter d2 max. (mm) | 9,54 |
| Pin length b4 max. (mm) | 77 |
| Max. add. length of connecting link b7 max. (mm) | 6,1 |
| Total width inner link b2 max. (mm) | 27,45 |
| Plate thickness Ti/To (mm) | 4,00/4,00 |
| Height inner plate h2 max. (mm) (JWIS: g) | 30,17 |
| Min. tensile strength ISO/DIN FU (kN) | 174 |
| Avg. tensile strength FB (kN) | 204 |
| Weight per meter (kg) | 7,8 |
| Bearing surface f (cm ²) | 5,16 |
| Traverse pitch pt (mm) (JWIS: e) | 35,76 |

Product Information

ELITE roller chains have a high wear resistance and significantly higher fatigue strength than the standard requires. The right choice for industrial applications: robust and reliable. All ELITE transmission roller chains are highly pre-tensioned and treated with our special additive chain oil eliDUR+, a high-tech initial lubricant. Non-drip eliDUR+ offers not only the added advantage of improved running characteristics, but also provides better corrosion protection.

ELITE highlights:

- Approx. 40% higher breaking strength is applied to pre-stretch our chains by 10% more than required by standard ISO 606
- Initial lubrication with eliDUR+ ensures extremely high wear resistance
- Low run-in elongation
- Tensile strength on average 20% higher than required by standard ISO 606
- ELITE pins have a smooth, extra- hard surface for increased wear resistance
- Operating temperature range with eliDUR+ standard lubrication: -5 °C to +70 °C
- All versions also available in coated form
- If required, we can deliver your chains ready-made to the desired length
- Special lubricants for low temperatures down to -30 °C or high temperature applications up to +250 °C available on request
- On request, iwis delivers chains pair-matched or set-matched and marked

Applications

- Warehouse technology, materials-handling industry
- Conveyor technology

- Assembly and industrial handling systems
- Wood processing industry
- Mechanical engineering and systems construction
- Glass, ceramic and building material industry
- Environmental technology, Recycling

REQUEST DIRECTLY ONLINE NOW

<https://www.iwis.com/en-en/products-services/roller-chain-100-2-elite~p3294>

Useful information

CALCULATION PROGRAM

InduKet: the Chain Drive
Calculation Program for
Engineers.

[iwis.com/chaincalc](https://www.iwis.com/chaincalc)

CHAIN CALCULATION

The right drive solution for your
challenge.

chaindrive@iwis.com

SERVICES

ChainFinder, CAD data, iwis
Chain Handbook and more.

[iwis.com/services](https://www.iwis.com/services)