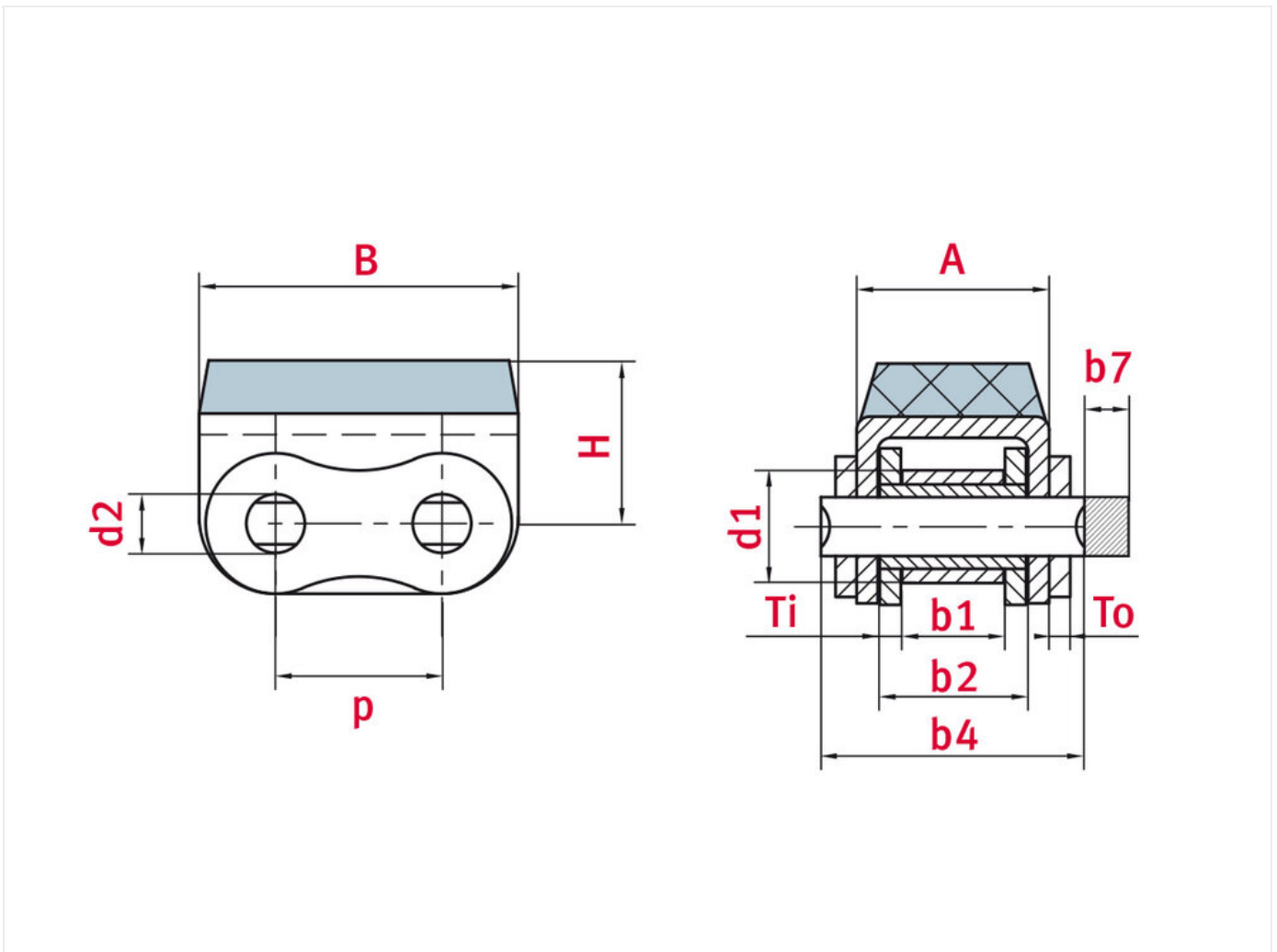


Elastomer profile chain 20B-1 Form 1 - G1 - ELITE

Part no.: 81013326
Brand: ELITE
Model: Form 1 - G1



Technical data

ROLLER CHAIN

20B

Product Information

Roller chains with elastomer profiles are ideal for applications where fragile goods require gentle conveyor handling.

ELITE chains are used for transporting goods that should not be scratched, such as coated or thin sheet metal, planed timber planks or pipes. The material iwis uses for the ELITE product range is nitrile butadiene rubber (NBR) with a hardness of 80 Shore A. NBR offers the optimum combination of cohesive friction, abrasion resistance and durability. Other profile types are possible for special applications and can be supplied on request.

ELITE highlights

- All ELITE chain plates are tapered and shot-blasted; production processes such as fine blanking and ball-drifting ensure a particularly high contact ratio
- Seamless, cold-extruded, shot-blasted rollers with extremely regular wall thickness
- The standard rubber profile is nitrile butadiene rubber (NBR) with a hardness of 80 Shore A.
- NBR combines the best characteristics of cohesive friction, abrasion resistance and durability.
- Chains with natural rubber or polyurethane profiles are available on request.
- Operating temperature range: -30 °C to +100 °C (at changed hardness and friction values)

Applications

- Fördertechnik
- Warehouse technology, materials-handling industry
- Assembly and industrial handling systems
- Wood processing industry

REQUEST DIRECTLY ONLINE NOW

<https://www.iwis.com/en-en/products-services/elastomer-profile-chain-20b-1-form-1-g1-elite~p3018267>

Useful information

CALCULATION PROGRAM

InduKet: the Chain Drive Calculation Program for Engineers.

[iwis.com/chaincalc](https://www.iwis.com/chaincalc)

CHAIN CALCULATION

The right drive solution for your challenge.

chaindrive@iwis.com

SERVICES

ChainFinder, CAD data, iwis Chain Handbook and more.

[iwis.com/services](https://www.iwis.com/services)