

Version 2010

$$d_s = p \cdot \cot \frac{\tau}{2} - 1,04 \cdot g_1 - 0,76$$



Handbook for chain engineering

Design and construction / Examples of calculation

iwis

Joh. Winklhofer Beteiligungs GmbH & Co. KG

Company Headquarters, Parent of the independent subsidiary companies,
Management Organisation of the Internationally operating companies

iwis motorsysteme GmbH & Co. KG

Subsidiary for the automotive sector, for example chain drives and mass balance drives as well as oil pump drives and gear box chains



München (DE)
Landsberg (DE)
Indianapolis (US)
Pune (IN)
São Paulo (BR)
Seoul (KR)
Shanghai (CN)

iwis antriebssysteme GmbH & Co. KG

Subsidiary for the industrial sector, high precision chains and drive systems for a wide range of applications



München (DE)
Indianapolis (US)
Langley (CA)
Johannesburg (ZA)
Mezzieu (FR)
Othmarsingen (CH)
Porto Alegre (BR)
Shanghai (CN)
Strakonice (CZ)
Tipton (UK)

iwis antriebssysteme GmbH

A distribution and service company within the chain drive industry



ecoplus®

Wilnsdorf (DE)
Indianapolis (US)
Langley (CA)
Johannesburg (ZA)
Mezzieu (FR)
Othmarsingen (CH)
Porto Alegre (BR)
Shanghai (CN)
Tipton (UK)

iwis agrisystems (Div.)

Competence centre for the iwis agricultural chain program for combines and maize harvesting



Sontra (DE)
Indianapolis (US)
Langley (CA)
Johannesburg (ZA)
Mezzieu (FR)
Othmarsingen (CH)
Porto Alegre (BR)
Shanghai (CN)
Tipton (UK)

Together, we are able to offer you even more

Preface

This present **handbook for chain engineering** represents a summary of chain technology that the designer requires: Characteristics of various components, calculating formulae and tables. All this is supplemented by descriptions and examples of calculations.

It is possible to have alternative solutions, which can be supported by calculations, to a number of problems. Optimum results can only be obtained, if the basic information is known and well founded values are available from experience. The User can rely on assistance from our Technical Advisory Dept.

This Department has vast applicational experience of chain drives ranging from the camshaft drive for high-speed racing engines to the conveying of special components through drying ovens, from precision conveyors used in copying equipment, and the stop-go operation encountered with power and free conveyor chains in transfer lines in the motor industry.

Reliable products are identified by their accuracy, close tolerances and proven performance.

These are the products that **iwis** supply. The latest issue of catalogue "Precision Chains for Drive and Conveyor Purposes", which is supplemented by a range of special leaflets, provides information in respect of all available standard and special chains, chain wheels, tensioning devices and other chain drive accessories.

This technical handbook extends the range of **iwis** publications and should help the engineer assess and understand the theory and practice of chain drives and the advantages available when **iwis** products are specified and selected.

Quality can only be assessed under arduous conditions. Exceeding the limits, either upwards or downwards, leads to inevitable expense: Over specification is costly because products and processes are used that are too expensive, equally overload is costly and leads to premature failure.

The correct choice of product is possible only, if the following conditions are known:

- practicable method of calculation and sound theoretical basis
- assured empirical values based on sound experience
- proven figures from practical experience.

iwis offers you all this as a package.

Literature reference:
H.-G. Rachner "Steel link chains and chains drives"
G. Niemann "Machine elements"
H. Zollner "Chain drives"
DIN-Normen

Important notes
Subject to alteration in the interest of technical advancement.
The iwis terms and conditions of sale apply to all claims for liability and warranty.

Quality products with a world reputation

QUALITY PLUS POINTS

- Above-average service life due to excellent wear resistance
- High consistency, matchless precision, superior length tolerances
- Breaking strength considerably higher than the DIN/ISO standard, high fatigue strength
- All iwis chains are pre-stretched
- Highly efficient initial greasing and corrosion protection
- Shouldered pins with chains made to DIN 8187 standards

WHAT THIS MEANS FOR THE USER

- Longer times between maintenance, less downtime and thus more economic
- Perfect functioning of chains running in parallel or in pairs, extremely precise positioning, ease of running, and very quiet operation
- Greatly increased factors of safety which provides wider selection opportunities
- Reduced stretching during running-in
- Optimum protection, noise reduction
- Maintenance-friendly, chain which can easily be cut to length

SL – AN IWIS IDEA WINS THROUGH

iwis SL series chains (Super Longlife) have pins with an additional extremely hard surface, under which is a load-bearing high strength hard layer which encloses a tough core.

This special design provides outstanding characteristics:

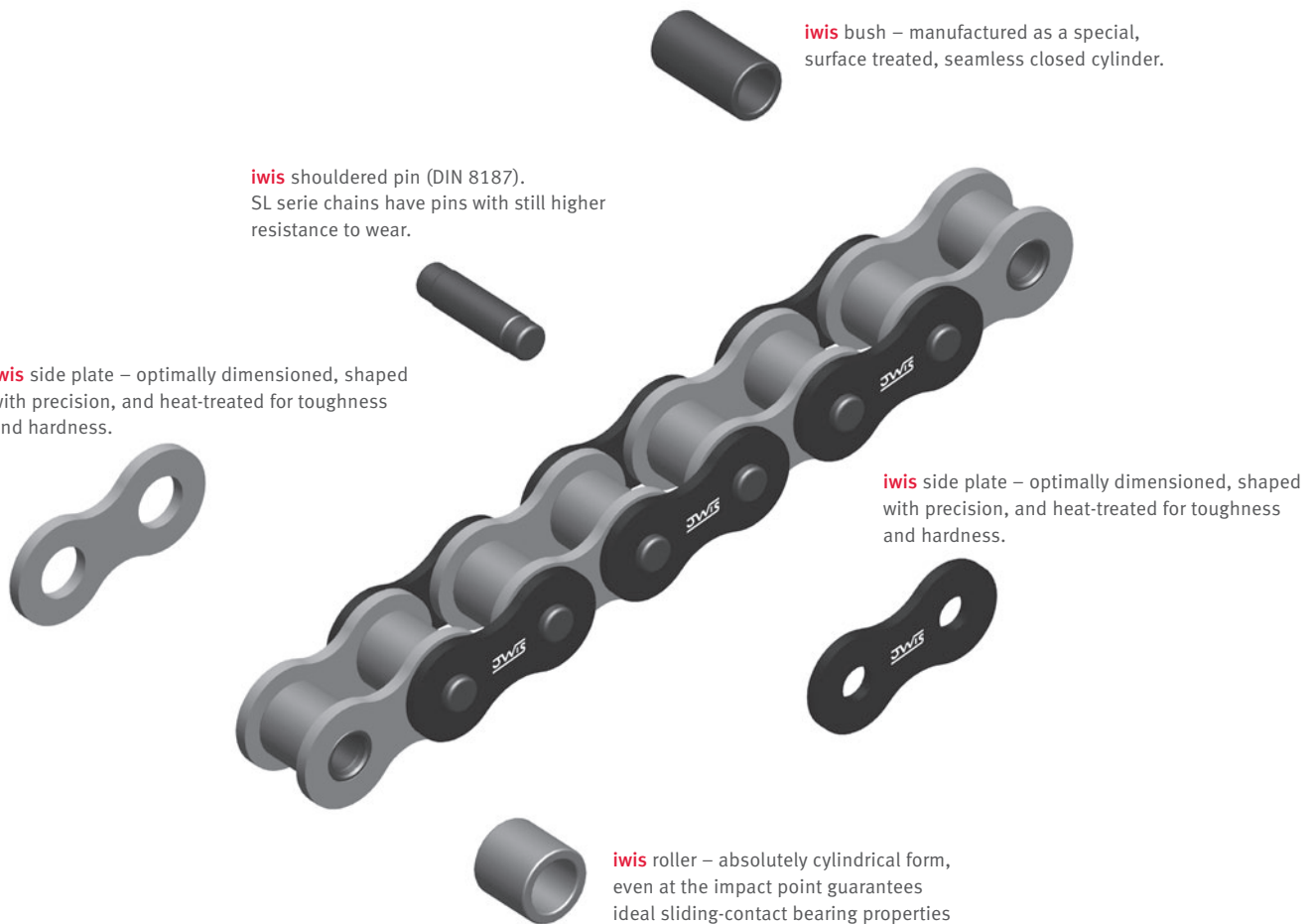
- Highest resistance to wear and therefore prolonged service life
- Breaking strength and fatigue strength remain high
- Higher resistance to wear at increased temperatures
- Improved surface finishes reduce friction properties and enable the chain to better handle deficient operational lubrication
- Reduced susceptibility to corrosion
- increased safety with ending stresses

SL chains have proved themselves in practical cases in the most varied chain applications world wide.

iwis chains of this design are designated by the suffix SL.

The path to high iwis quality – Each individual part technically perfect

- Use of high-grade head-treatable steels with are made exclusively for iwis to their material analysis, tolerance and surface quality.
- Each chain part is manufactured a million times daily to the same precision. This production is monitored by SPC (statistical process control).
- All chain parts are heat-treated, using special processes to optimize quality features.
- Constant geometry and high surface quality result from the use of modern production technologies.
- Chains are checked for dimensional accuracy: length tolerance, freedom of articulation and assembly component integrity, inspection of the press-in seating of the pin outer links and bush-inner link interfaces.
- The high standard of quality assurance conforms with the high requirements of the automotive industry, of ISO 9002-1987 and other national and international standards.
- For special applications
 - Surface coatings
 - Special lubrications
 - Reduced length tolerated chains
 - Special materials (e.g. corrosion resistant)



A

Your perfect engineering partner

B

C

D

E

F

G



iwis has the largest chain R & D department in Europe, having more than 60 development engineers solely engaged for the engineering of chain drive systems. Besides basic development and designing innovative customer solutions, the main focus of iwis R&D division ranges from calculations, design and testing to wear elongation and fatigue strength analysis.

- Special knowledge of noise emission analysis and vibration engineering
- Our laboratory has the capabilities to carry out many different testing possibilities including microscopy, metallography, evaluation of mechanical properties, chemical composition and qualified analysis of data
- Dynamic simulation/analysis of chain drive systems with regard to chain load, torsional vibrations and friction losses
- FEM analysis of individual chain drive parts – static and dynamic stress and strength investigations
- Evaluation of iwis and customer readings at test facilities for verification of simulation models
- Identification of thermal characteristics of chain drives while testing in the climate-testing laboratory.



Evaluation of chain breaking strength and elongation up to 1000kN



More than 15 pulser are available for testing dynamic fatigue strength according to different testing methods



Testing of chain wear elongation behaviour on more than 20 test rigs

List of contents

A **iwis**® Power transmission chain

1	Introduction.....	8
2	Design of steel roller chains	8
3	Roller and bush chains	9
4	Single and multiple strand chains.....	10
5	Connecting links	10
6	iwis -roller chains.....	12
7	Chain preselection programme	14

B **iwis**® Chain wheels

1	Design and construction	16
2	Sizes	18
3	Checking the chain wheels.....	20

C Layout of **iwis**® chain drives

1	Fundamental principles	21
1.1	Influencing Factors.....	22
	– number of teeth, speed	
	– ratio	
	– shock factor	
	– centre distance	
	– lubrication	
	– multishaft drives	
2	Chain calculation.....	31
2.1	Preselection.....	31
	– performance diagrams	
	– factors	
2.2	Calculation	34
	– summary of formulae	
	– determining factors for bearing pressure	
	– friction travel factors	
2.3	Examples of calculations	36
3	Determining length of chain	40
3.1	Number of links and centre distance.....	40
	– chain drive with two shafts	
	– chain drive with several shafts	
3.2	Measuring the chain length.....	44
	– tables	
3.3	hortening and lengthening the chain	51

D General information **iwis**® chain drives

1	Drive arrangement	52
2	Chain alignment	53
3	Chain tension	53
	– chain tensioners	
	– chain guides	
4	Chain lubrication	55
	Lubrication methods.....	57

E **iwis**® Chains for industrial use

1	Conveyor chains.....	58
1.1	Attachments	58
1.2	Extended pins.....	60
1.3	Conveyor connecting links	60
2	Chains for special applications	62
2.1	MEGAlife I maintenance free chains and	62
	MEGAlife I roller chains with straight side plates	62
2.2	MEGAlife II – roller chains	63
2.3	Corrosion protected chains	64
2.4	Apron chains	64
2.5	Transfer chains	64
2.6	Power and free conveyor chains	65
2.7	Grip chains	68
2.8	Pallet transport chains	68
2.9	Side bow chains	69
2.10	Hollow bearing pin chains.....	69
2.11	Leaf chains	70
2.12	Tube and can conveyor chains	72

F **iwis**® Automotive chain drives

New chain types	78
-----------------------	----

G Appendix

Conversion chart.....	80
iwis chain guideline	81
Questionnaires	82
The iwis group	84
iwis company history	86

A

iwis Chain wheels

B

Layout of **iwis**® chain drives

C

General information **iwis**® chain drives

D

iwis® Chains for industrial use

E

iwis Automotive chain drives

F

Conversion charts, **iwis** chain guideline

G

1 Introduction

The chain drive assumes a special position in the large group of drive mediums for the transmission of torque and power. The great advantage of this type of positive controlled connection is the constant relative speed between driving and driven shafts and the complete elimination of slip, compared with non-positive drives (e.g. belt drives) where slip very often can only be prevented by high belt tension. Steel roller chains are used as drive, transport or conveyor chains for static or alternating loads with slow or high chain speeds transmitting power between two parallel shafts.

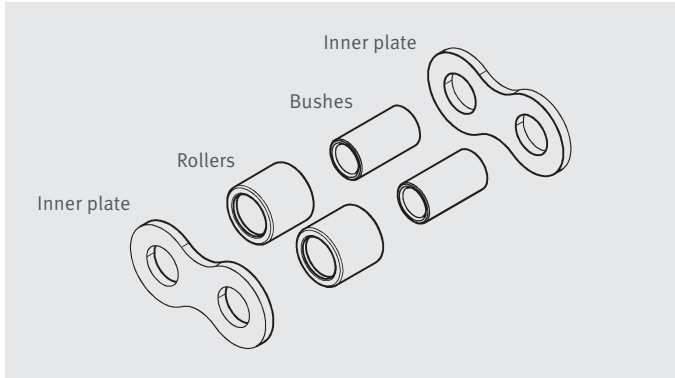
Chains can engage with chain wheels on both sides, which is often required for special drives, which need a change of direction. Chain drives are less sensitive to dirt and lack of maintenance than gear and other drives and can also be used under higher operating temperatures. Steel Roller chains are used throughout engineering. They are used in the manufacturing of machine tools, printing machines, in the textile and packaging industry, for material handling, agricultural machinery, in the construction industry, hydraulic engineering and mining industry, and also in the construction of vehicles and engines.

Compared to the use of cables, round link chains, gear and belt drives, the application for steel roller chains must be defined accordingly. The construction of steel roller chain has the advantage of avoiding bending stresses during operation, to which cables are subjected, when they run over pulleys. They are particularly advantageous when long distances between shafts have to be connected, and they are more cost effective than gear drives, due to the fact that no idler gears with bearings are required. Gear drives mean a change of direction. With chain drives the sense of direction remains the same. They constitute a flexible connection between shafts. By using adjustable idler wheels it is possible to control the rotation of two shafts in phase.

2 Design of steel roller chains

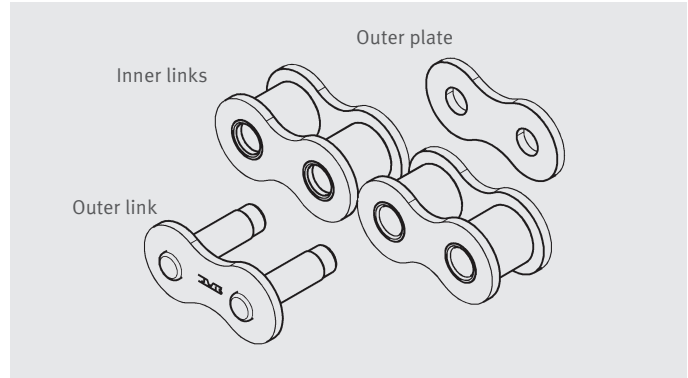
Steel roller chains consist of a range of individual chain links. Each link in turn consists of individual components some of which are designed to transmit tensile loads and others that allow the articulation of two links in respect of each other. The design of the links is of particular importance. Generally speaking, they move only in one plane.

This design of **iwis** high-performance roller chains and of bush chains is illustrated in the following drawings.



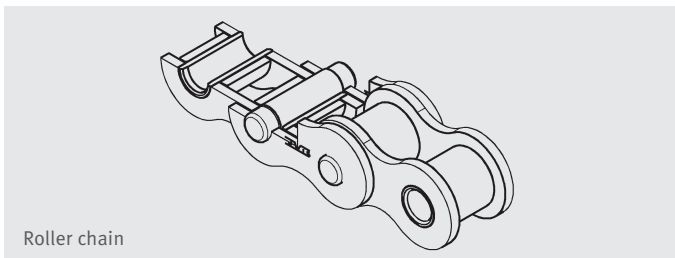
A chain consists of inner and outer links. The inner link consists of two inner plates into which, two bushes are pressed and two rollers, which rotate on the bushes.

In the case of bush chains both rollers are omitted. Thus the bushes are in direct contact with the chain wheel teeth.

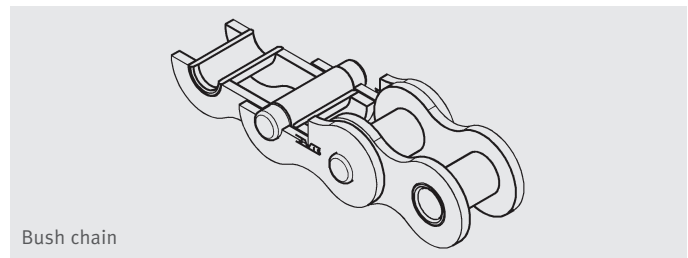


The outer link consists of two outer plates and two bearing pins. The connection of the inner links by adding outer links is shown in the above illustration.

3 Roller and bush chains



Roller chain



Bush chain

iwis manufactures both types of chains. The decision to use one or the other type requires a thorough knowledge of the problems to be solved.

The rollers which rotate on the bushes run with little friction on the teeth of the chainwheel, as there is a constant change in contact area. The grease film between rollers and bushes contributes towards silent running and absorbs shocks.

In the case of a bush chain, the teeth of the chain wheel always contact the stationary bushes at the same point. It is therefore important to provide excellent lubrication when using this type of drive.

The bearing area given in the table for each chain size is the projection of the bearing surface between bush and bearing pin. That is the length of the bush, multiplied by the bearing pin diameter. A higher bearing area results in a lower bearing pressure, and therefore reduces wear rate.

iwis bush chains which are used for heavily stressed camshaft drives in highspeed Diesel engines have been particularly successful.

A

Chain wheels

B

Layout of
chain drives

C

General information
chain drives

D

Chains for
industrial use

E

Automotive
chain drives

F

Conversion charts,
iwis chain guideline

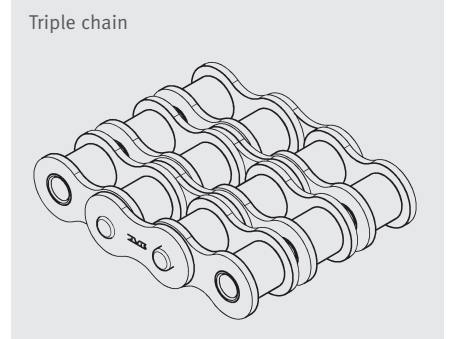
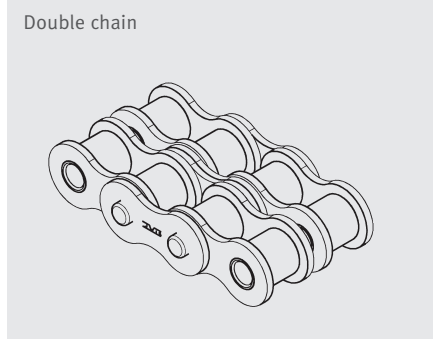
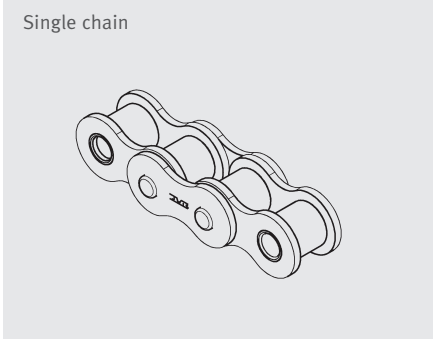
G

A

4 Single and multiple chains

Chain wheels

B



Layout of chain drives

C

As soon as the transmission of torque using a single chain requires less than a 15 tooth chainwheel, it is recommended to use a multiple chain with a smaller pitch. This results in a larger number of teeth with the same chain wheel diameter. This improves the polygonal effect of the chain links, and the impact speed of the rollers on the teeth are reduced. Therefore a drive using a multiple smaller pitch chain will run more quietly than a single chain with a larger pitch.

Multiple chains with a smaller pitch than the single chain should also be selected, if single chains exceed the maximum permissible chain speed that is shown on the graphs on pages 29 and 30.

Multiple chains are more sensitive to misalignment of the chainwheels. For reasons of durability it is not recommended to go beyond triplechains. Where a triple chain is insufficient, it is possible to use two double chains or several triple chains. In this case care should be taken to ensure that the chains are matched.

General information chain drives

D

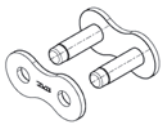
5 Connecting links

If chains are not supplied as endless chains, the ends are connected by a connecting link. On chains up to and including 1" pitch the plate is retained by means of a spring clip.

For chains 1 1/4" pitch and over and chains to DIN 8188 from 3/4" onwards, the link plate is secured by means of a split pin.

Chains for industrial use

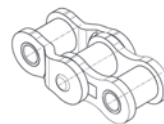
E



Rivetting link

Chains are endlessly rivetted together using this type of connecting link.

Standard designation A



Double cranked link

A double cranked link consists of one cranked link and an inner link. They are used to produce chains with an uneven number of links.

Standard designation C

Automotive chain drives

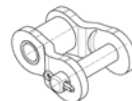
F



Spring clip connecting link

This spring clip is used to connect chain sections ending with inner links. The closed end of the clip is fitted in the direction of chain motation.

Standard designation E



Single-cranked link with screwed connection

With only one connecting link **A**, **E** or **K** and using this cranked link chains with an uneven number of links can be produced.

Standard designation L

Conversion charts, iwis chain guideline

G



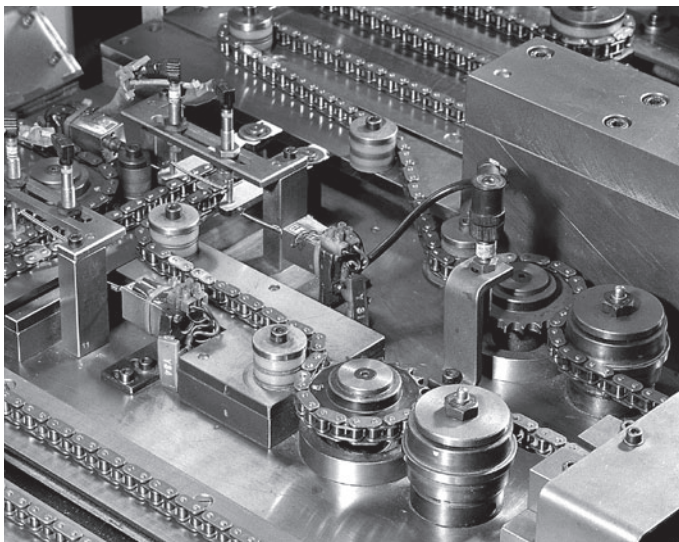
Split pin connecting link

Fulfils the same purpose as the spring clip type.

Standard designation S

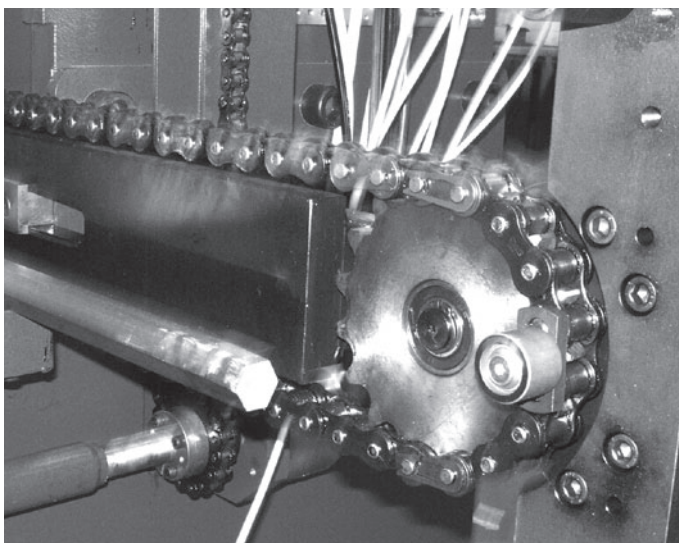
A cranked link can should be avoided. It can reduce the breaking strength of the chain by 20 %.

Areas of applications



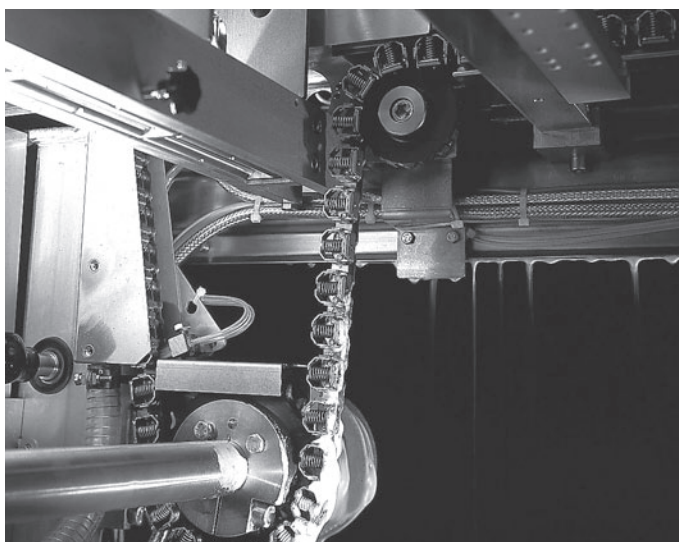
GENERAL MECHANICAL ENGINEERING

Excellent wear resistance and fatigue strengths for specialized applications



HANDLING INDUSTRY

Conveyor chains - reliable, precise and long-term solutions for demanding requirements



PACKAGING INDUSTRY

iwis chains with special clamping elements for gripping, retracting and transporting soft foils and other thin-walled materials

A

iwis Chain wheels

B

Layout of
iwis chain drives

C

General information
iwis chain drives

D

iwis Chains for
industrial use

E

iwis Automotive
chain drives

F

Conversion charts,
iwis chain guideline

G

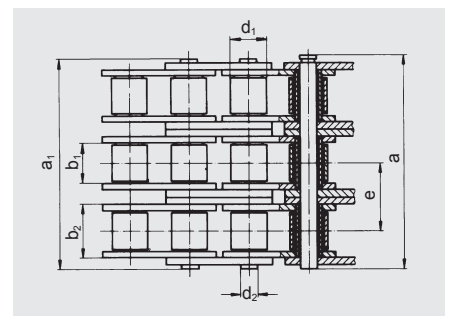
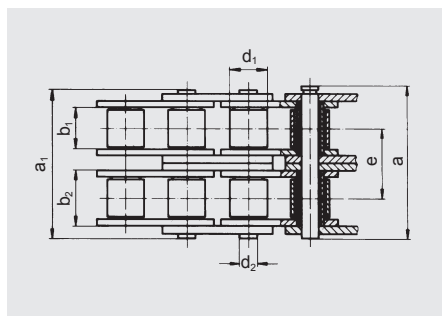
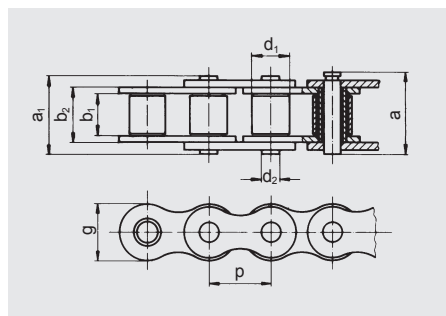
6 iwis-Roller Chains

Standard and works standard embodiment

Table extract

iwis Designation	Designation pitch x innerwidth		DIN/ISO No.	Pitch p (mm)	inside b1 (mm)	Weight outside a1 (mm)	Roller dia. d1 (mm)	Height of plates g (mm)	Bearing area F (cm ²)	Weight q (kg/m)	Chain made by iwis (N)	Breaking load FB Standard (N)
Single chains to DIN 8187												
G 42	6 x 2,8 mm	04	DIN 8187	6	2,80	6,6	4,00	5,00	0,07	0,12	3 200	3 000
G 52	8 mm x 1/8"	05 B-1	DIN 8187	8	3,16	8,1	5,00	7,10	0,11	0,18	6 000	5 000
G 53 H ¹⁾	8 mm x 3/16"	-	Works standards	8	4,76	11,7	5,003)	7,60	0,25	0,34	9 000	-
G 62 1/2 ²⁾	3/8 x 5/32"	-	Works standards	9,525	3,94	11,0	6,35	8,20	0,22	0,34	11 000	-
G 67 ³⁾	3/8 x 7/32"	06 B-1	DIN 8187	9,525	5,72	12,9	6,35	8,20	0,28	0,41	10 500	9 000
P 83 V	1/2 x 3/16"	-	Works standards	12,7	4,88	13,2	7,75	10,20	0,29	0,44	15 500	-
S 84 V	1/2 x 1/4"	-	Works standards	12,7	6,40	15,0	7,75	12,00	0,38	0,58	18 000	-
L 85 SL	1/2 x 5/16"	08 B-1	DIN 8187	12,7	7,75	16,9	8,51	12,20	0,50	0,70	22 000	18 000
M 106 SL	5/8 x 3/8"	10 B-1	DIN 8187	15,875	9,65	19,5	10,16	14,40	0,67	0,95	27 000	22 400
M 127 SL	3/4 x 7/16"	12 B-1	DIN 8187	19,05	11,75	22,7	12,07	16,40	0,89	1,25	34 000	29 000
M 1611	1" x 17 mm	16 B-1	DIN 8187	25,4	17,02	36,1	15,88	21,10	2,10	2,70	75 000	60 000
M 2012	1 1/4 x 3/4"	20 B-1	DIN 8187	31,75	19,56	40,5	19,05	25,40	2,92	3,72	120 000	95 000
M 2416	1 1/2 x 1"	24 B-1	DIN 8187	38,1	25,40	53,1	25,40	33,50	5,50	7,05	211 000	160 000
M 2819	1 3/4 x 31 mm	28 B-1	DIN 8187	44,45	30,95	65,1	27,94	37,00	7,35	8,96	250 000	200 000
M 3219	2" x 31 mm	32 B-1	DIN 8187	50,8	30,95	63,6	29,21	42,30	8,05	10,00	315 000	250 000
Double chains to DIN 8187												
D 52	8 mm x 1/8"	05 B-2	DIN 8187	8	3,16	13,9	5,00	7,10	0,22	0,36	9 100	7 800
D 67 ²⁾	3/8 x 7/32"	06 B-2	DIN 8187	9,525	5,72	23,4	6,35	8,20	0,56	0,78	20 000	16 900
D 85 SL	1/2 x 5/16"	08 B-2	DIN 8187	12,7	7,75	30,8	8,51	12,20	1,00	1,35	40 000	32 000
D 106 SL	5/8 x 3/8"	10 B-2	DIN 8187	15,875	9,65	36,0	10,16	14,40	1,34	1,85	56 000	44 500
D 127	3/4 x 7/16"	12 B-2	DIN 8187	19,05	11,75	42,1	12,07	16,40	1,78	2,50	68 000	57 800
D 1611	1" x 17 mm	16 B-2	DIN 8187	25,4	17,02	68,0	15,88	21,10	4,21	5,40	150 000	106 000
D 2012	1 1/4 x 3/4"	20 B-2	DIN 8187	31,75	19,56	79,7	19,05	25,40	5,84	7,36	210 000	170 000
D 2416	1 1/2 x 1"	24 B-2	DIN 8187	38,1	25,40	101,8	25,40	33,50	11,00	13,85	370 000	280 000
D 2819	1 3/4 x 31 mm	28 B-2	DIN 8187	44,45	30,95	124,7	27,94	37,00	14,70	18,80	500 000	360 000
D 3219	2" x 31 mm	32 B-2	DIN 8187	50,8	30,95	126,0	29,21	42,30	16,10	19,80	530 000	450 000
Triple chains to DIN 8187												
Tr 85	1/2 x 5/16"	08 B-3	DIN 8187	12,7	7,75	44,7	8,51	12,20	1,50	2,00	58 000	47 500
Tr 106	5/8 x 3/8"	10 B-3	DIN 8187	15,875	9,65	52,5	10,16	14,40	2,02	2,80	80 000	66 700
Tr 127	3/4 x 7/16"	12 B-3	DIN 8187	19,05	11,75	61,5	12,07	16,40	2,68	3,80	100 000	86 700
Tr 1611	1" x 17 mm	16 B-3	DIN 8187	25,4	17,02	99,2	15,88	21,10	6,32	8,00	220 000	160 000
Tr 2012	1 1/4 x 3/4"	20 B-3	DIN 8187	31,75	19,56	116,1	19,05	25,40	8,76	11,00	315 000	250 000
Tr 2416	1 1/2 x 1"	24 B-3	DIN 8187	38,1	25,40	150,2	25,40	33,50	16,50	20,31	560 000	425 000
Tr 2819	1 3/4 x 31 mm	28 B-3	DIN 8187	44,45	30,95	184,5	27,94	37,00	22,05	28,00	750 000	530 000
Tr 3219	2" x 31 mm	32 B-3	DIN 8187	50,8	30,95	184,5	29,21	42,30	24,15	29,60	795 000	670 000

¹⁾ bush chain ²⁾ straight side plates ³⁾ bush \emptyset Chains with the SL suffix have pins with increased resistance to wear.



iwis Designation	Designation pitch x inner width	DIN ISO No.		Pitch p (mm)	Inside b_1 (mm)	Width Outside a_1 (mm)	Roller dia. d_1 (mm)	Height of plates g (mm)	Bearing area F (cm ²)	Weight q (kg/m)	Chain made by iwis (N)	Breaking load F_B Standard (N)
------------------	---------------------------------	-------------	--	--------------	-------------------	-----------------------------	------------------------	-------------------------	-----------------------------------	-----------------	------------------------	-------------------------------------

Single chains to DIN 8188 (ANSI-Standard)

L 85 A	1/2 x 8/16"	ANSI 40	08 A-1	DIN 8188	12,7	7,94	16,6	7,95	12,00	0,44	0,60	18 000	14 100
M 106 A	5/8 x 3/8"	ANSI 50	10 A-1	DIN 8188	15,875	9,53	20,4	10,16	14,40	0,70	1,00	29 000	22 200
M 128 A SL ¹⁾	3/4 x 1/2"	ANSI 60	12 A-1	DIN 8188	19,05	12,70	25,3	11,91	18,00	1,06	1,47	42 000	31 800
M 1610 A	1 x 5/8"	ANSI 80	16 A-1	DIN 8188	25,4	15,88	32,1	15,88	22,80	1,79	2,57	68 000	56 700

Double chains to DIN 8188 (ANSI-Standard)

D 85 A	1/2 x 5/16"	ANSI 40-2	08 A-2	DIN 8188	12,7	7,94	31,0	7,95	12,00	0,88	1,19	36 000	28 200
D 106 A	5/8 x 3/8"	ANSI 50-2	10 A-2	DIN 8188	15,875	9,53	38,6	10,16	14,40	1,40	1,92	56 000	44 400
D 128 A ¹⁾	3/4 x 1/2"	ANSI 60-2	12 A-2	DIN 8188	19,05	12,70	48,1	11,91	18,00	2,12	2,90	84 000	63 600
D 1610 A	1 x 5/8"	ANSI 80-2	16 A-2	DIN 8188	25,4	15,88	61,4	15,88	22,80	3,58	5,01	145 000	113 400

Triple chains to DIN 8188 (ANSI-Standard)

Tr 85 A	1/2 x 8/16"	ANSI 40-3	08 A-3	DIN 8188	12,7	7,94	45,4	7,95	12,00	1,32	1,78	50 000	42 300
Tr 106 A	5/8 x 3/8"	ANSI 50-3	10 A-3	DIN 8188	15,875	9,53	56,7	10,16	14,40	2,10	2,89	80 000	66 600
Tr 128 A	3/4 x 1/2"	ANSI 60-3	12 A-3	DIN 8188	19,05	12,70	71,0	11,91	18,00	3,18	4,28	125 000	95 400
Tr 1610 A	1 x 5/8"	ANSI 80-3	16 A-3	DIN 8188	25,4	15,88	90,7	15,88	22,80	5,37	7,47	210 000	170 100

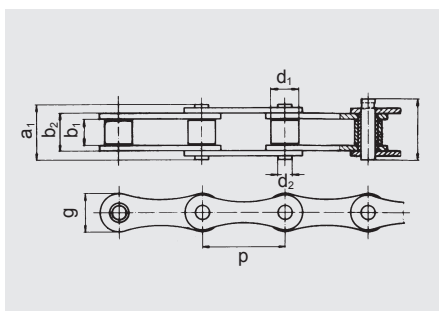
¹⁾ also available with straight side plates
 Chains with the SL suffix have pins with increased resistance to wear.

Overall programme with technical data in catalogue
 „Precision chains for Drive and Conveyor Purposes“

iwis Designation	Designation pitch x inner width	DIN ISO No.		Pitch p (mm)	Inside b_1 (mm)	Width Outside a_1 (mm)	Roller dia. d_1 (mm)	Height of plates g (mm)	Weight q (kg/m)	Chain made by iwis (N)	Breaking load F_B Standard (N)
------------------	---------------------------------	-------------	--	--------------	-------------------	-----------------------------	------------------------	-------------------------	-----------------	------------------------	-------------------------------------

Long pitch chains to DIN 8181

LR 165 SL	1 x 5/16"	208 B	DIN 8181	25,4	7,75	16,9	8,51	11,80	0,52	22 000	18 000
LR 206 SL	1 1/4 x 3/8"	210 B	DIN 8181	31,75	9,65	19,5	10,16	15,0	0,63	28 000	22 400
LR 247 SL	1 1/2 x 7/16"	212 B	DIN 8181	38,1	11,75	22,7	12,07	16,10	0,85	34 000	29 000
LR 3211	1" x 17 mm	216 B	DIN 8181	50,8	17,02	36,1	15,88	20,60	2,10	75 000	60 000



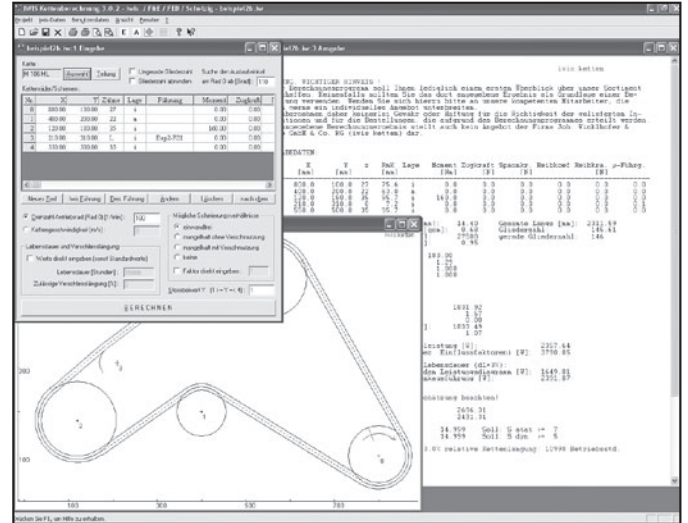
7 Chain calculation program

iwis presents a special PC software package to support you in chain drive layout and pre-selection of suitable chains.

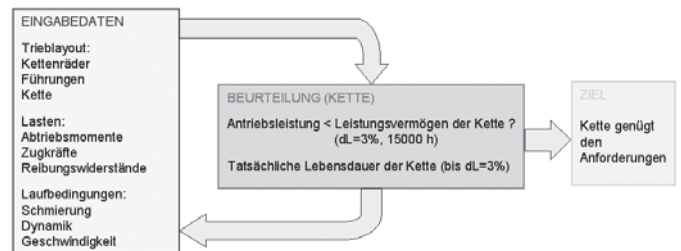
Industrial chain drives are

- drive chains for power transmission of parallel axis shafts,
- which transfer static and dynamic loads,
- as transport or conveyor chains in the application in this program.

The idea behind the program is based on the calculation of necessary drive capacity in chain transmissions which is required due to their use (engine torque, chain load in the chain section in transport tasks and the friction from the friction ratios on the tension and guide rails and the bearing friction). If the required objective is not met regarding the life of the chain and the operating conditions (e.g. lubrication and dynamics), then it is the responsibility of the user to make amendments or choose another type of chain.



The first result always has the minimum life of the chain of 15,000h (relating to a wear distortion of 3%) as a layout criterion. In addition, the actually calculated (expected) life is given; target life of this drive would then be crucial.



A drive chain cannot be calculated directly with the program, when only the drive capacity of the drive motor is given. It is necessary to specify either a load bearing chain shaft or a taut span depending on the drive sprocket wheel. The motor capacity must be greater than the drive capacity in all cases.

The program is designed in such a way that the user can use one of the chain data banks provided by iwis in which all calculation and capacity characteristics of iwis chains as well as according to DIN 8187, DIN 8188 or ISO 606 can be stored.

It is also possible with the proper knowledge to construct a chain database. A drive can be calculated from a number of axles and conveyor or guide rails in a 2D plane. Sprocket wheels or guides can be defined as tension elements. The chain line is automatically determined by positions of the drive components (wheels, guides).

New discoveries in chain theory and results of tests as well as program updates and corrections are continually being incorporated and are identified by version numbers.

CAUTION, IMPORTANT NOTICE!

Our calculation program is only intended to provide an initial overview of our product range. Under no circumstances should the generated results be used as the basis for placing an order. Please speak to one of our specialist representatives who will be pleased to supply you with a tailor made quotation.

We give no guarantee and accept no liability for the accuracy of the information provided or for any orders which are placed on the basis of the calculation program. The generated results do not constitute an offer by the iwis antriebssysteme GmbH & Co. KG.

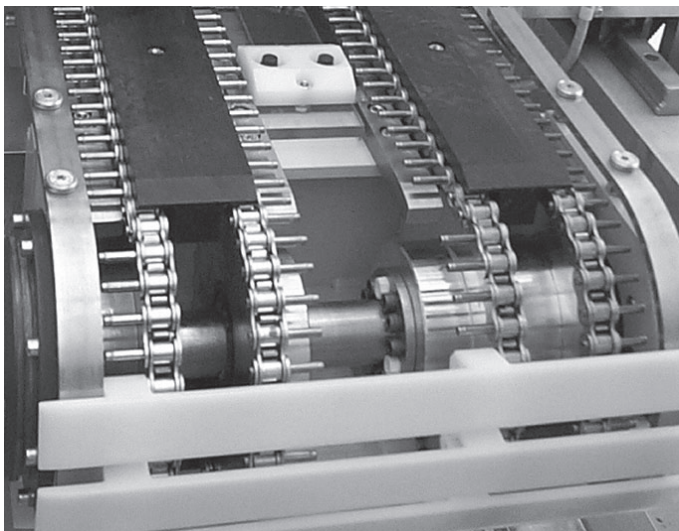
The program is called up by a user code with individual password. After installation it is therefore necessary to request a user file from iwis. All future program developments and corrections will automatically be sent to all registered users. In case support questions arise it is thus guaranteed that the calculations are the same in relation to the program file.

Instructions, wishes and error reports to:
Michael.Panas@iwis.com or Ulrich.Schelzig@iwis.com

System requirement, minimum equipment:

- Processor 586 (Pentium/AMD)
- 64 MB Main memory (RAM)
- Graphic card with 800x600 Pixel resolution
- CD-ROM drive
- Windows 98/NT

Areas of applications



PACKAGING INDUSTRY:

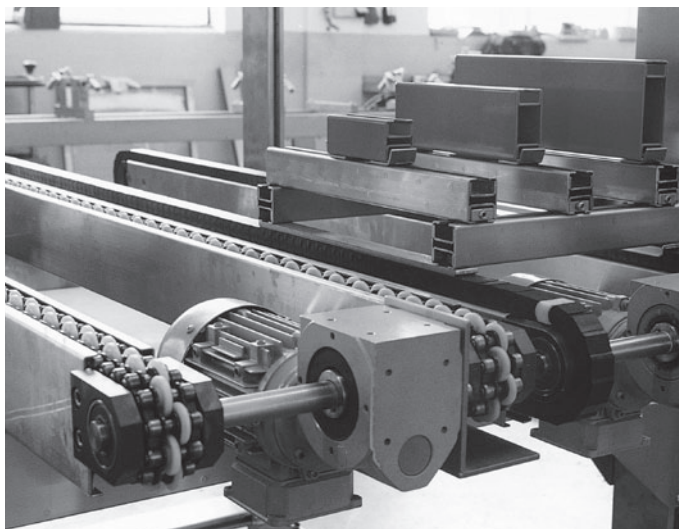
Special applications für conveyor chains in the Food & Non-Food fieldsh

iwis Chain wheels

B

Layout of
iwis chain drives

C



MACHINE LINKAGE:

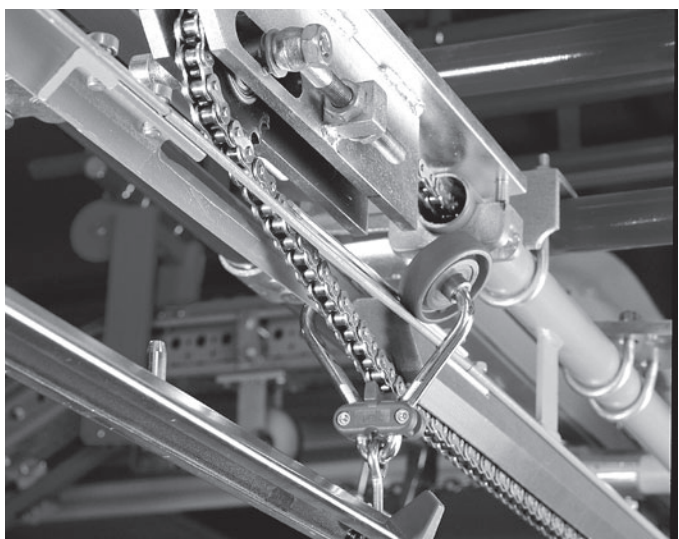
iwis power and free conveyor chains convey, store, accelerate, retard workpieces and workpiece carriers

General information
iwis chain drives

D

iwis Chains for
industrial use

E



CONVEYING APPLICATIONS:

iwis high performance chains with attachments

iwis Automotive
chain drives

F

Conversion charts,
iwis chain guideline

G

A

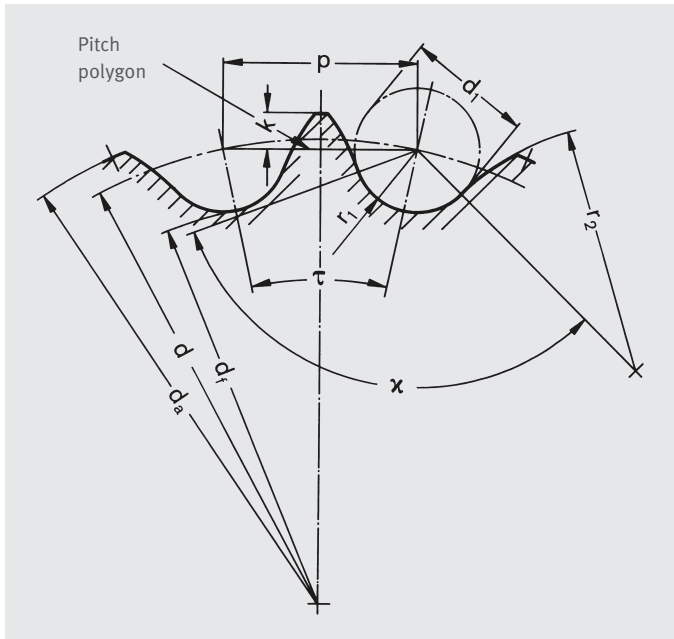
1 Design and construction

The shape of the chainwheels is determined by the chain size, number of teeth and the torque to be transmitted. Wheels with hubs allow the transmission of a higher torque, whereas plate wheels may be used only for the transmission of smaller torques.

The tooth form is designed in accordance with DIN 8196. The calculation of the required values is summarized below.

Chain wheels

B



- p chain pitch
- d₁ roller diameter max.
- d pitch circle diameter
- d_f root circle diameter
- d_a top diameter
- r₁ tooth radius
- τ tooth angle
- χ roller contact angle
- r₂ tooth profile radius
- k tooth height above pitch polygon
- z number of teeth

Layout of chain drives

C

General information chain drives

D

Pitch circle diameter

$$d = \frac{p}{\sin \frac{\tau}{2}}$$

Root circle diameter

$$d_f = d - d_1$$

$$\frac{\tau}{2} = \frac{180^\circ}{z}$$

E

Top diameter

$$d_{a \max} = d + 1,25 \cdot p - d_1$$

Tooth height

$$k_{\max} = 0,625 \cdot p - 0,5d_1 + \frac{0,8}{z} \cdot p$$

$$d_{a \min} = d + \left(1 - \frac{1,6}{z}\right) \cdot p - d_1$$

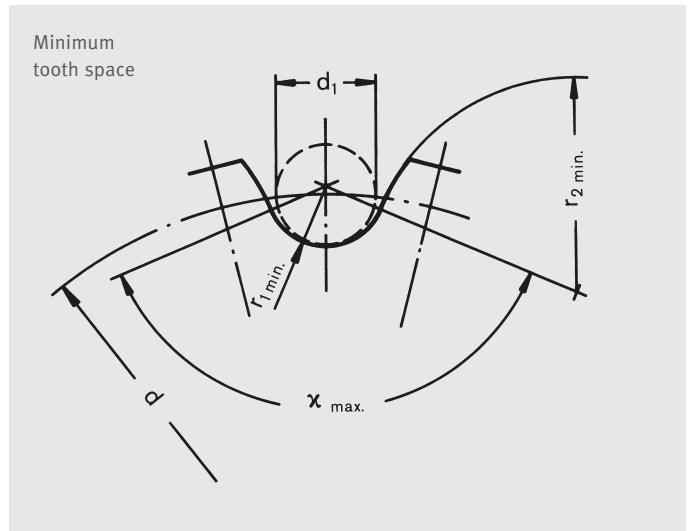
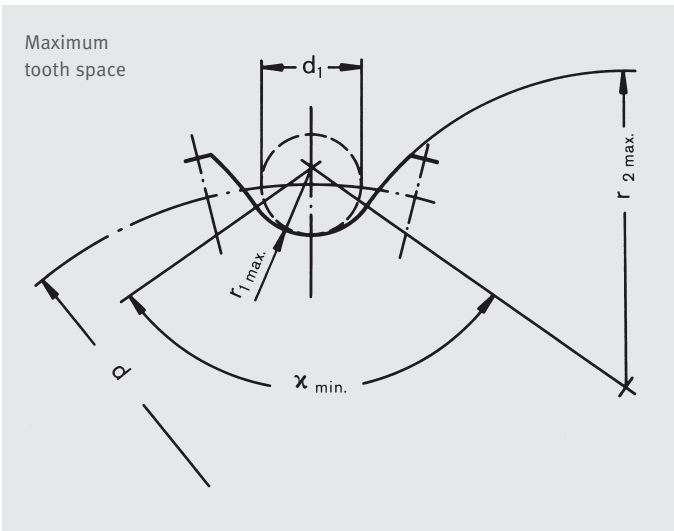
$$k_{\min} = 0,5 \cdot (p - d_1)$$

If crossovers occur when interlocking, the effective maximum tip diameter is determined by the interlocking tool

F

Conversion charts, iwis chain guideline

G



$$r_{1 \max} = 0,505 d_1 + 0,069 \sqrt[3]{d_1}$$

$$r_{1 \min} = 0,505 d_1$$

$$\chi_{\min} = 120^\circ - \frac{90^\circ}{z}$$

$$\chi_{\max} = 140^\circ - \frac{90^\circ}{z}$$

$$r_{2 \max} = 0,008 d_1 (z^2 + 180)$$

$$r_{2 \min} = 0,12 d_1 (z + 2)$$

TOOTH WIDTH

Tooth width B_1 is narrower than the inner width b_1 of the chain

Chain pitch B_1	$p \leq 12,7$	$p > 12,7$
for Single chain wheels	$0,93 \cdot b_1$	$0,95 \cdot b_1$
for Double and Triple chain wheels	$0,91 \cdot b_1$	$0,93 \cdot b_1$
for Quadruple chain wheels and over	$0,88 \cdot b_1$	$0,93 \cdot b_1$

(b_1 inner width of the chain)

Tolerance for tooth width B_1 : h14

Tooth width B_2, B_3 etc.
 $\triangleq (\text{Number of chain strands} - 1) \cdot e + B_1$

Tooth width bevel (applicable for bicycle and moped sprockets)
 $c = 0,1$ bis $0,15 \cdot p$
 $c = 0,05$ bis $0,07 \cdot p$

Zahnfasenradius $r_3 \geq p$

Radfasenradius r_4

Diameter of relief
 Below the root circle (maximum hub diameter)

$$d_s = p \cdot \cot \frac{\tau}{2} - 1,04 \cdot g_1 - 0,76$$

(g_1 max. height of plates)

$$\frac{\tau}{2} = \frac{180^\circ}{z}$$

Chain pitch p		r_4	
		minimal	maximal
up to 9,525	up to 9,525	0,2	1
over 9,525	up to 19,05	0,3	1,6
over 19,05	up to 38,1	0,4	2,5
over 38,1	up to 38,1	0,5	6

For further chain wheel dimensions see chart on page 18.

2 Chain wheel sizes

A

Chain wheels

B

Layout of chain drives

C

General information chain drives

D

Chains for industrial use

E

Automotive chain drives

F

Conversion charts, iwis chain guideline

G

Designation	iwis							
	DIN/ISO	B ₁ h14	B ₂ h13	B ₃ h12	k ₀ ¹⁾	c	f _s	s ²⁾

Single chains to DIN 8187, Works standard								
G 42	04	2,6	-	-	1,2	0,8	6	4
G 52	05 B-1	2,7	-	-	1,8	1,0	8	5,5
G 53 H	-	4,4	-	-	1,8	1,0	8	6
G 62 1/2	-	3,6	-	-	2,0	1,2	10	6,5
G 67	06 B-1	5,3	-	-	2,0	1,2	10	6,5
P 83 V	-	4,5	-	-	2,6	0,8	13	8
S 84	-	5,9	-	-	2,6	1,6	13	8
L 85 SL	08 B-1	7,2	-	-	2,6	1,6	13	9
M 106 SL	10 B-1	9,1	-	-	3,5	2,0	16	11
M 127 SL	12 B-1	11,1	-	-	4,2	2,4	19	12
M 1611	16 B-1	16,1	-	-	5,5	3,2	26	17
M 2012	20 B-1	18,5	-	-	7,0	4,0	32	21
M 2416	24 B-1	24,1	-	-	8,0	4,8	38	25
M 2819	28 B-1	29,4	-	-	10,0	5,6	44	26
M 3219	32 B-1	29,4	-	-	12,5	6,3	51	28

Double chains to DIN 8187, DIN 8154, Works standards								
D 52	05 B-2	2,7	8,3	-	1,8	1,0	8	5,5
D 67	06 B-2	5,2	15,4	-	2,0	1,2	10	6,5
D 85 SL	08 B-2	7,0	20,9	-	2,6	1,6	13	9
D 106 SL	10 B-2	8,9	25,4	-	3,5	2,0	16	11
D 127	12 B-2	10,8	30,2	-	4,2	2,4	19	12
D 1611	16 B-2	15,8	47,6	-	5,5	3,2	26	17
D 2012	20 B-2	18,1	54,5	-	7,0	4,0	32	21
D 2416	24 B-2	23,6	71,9	-	8,0	4,8	38	25
D 2819	28 B-2	28,8	88,3	-	10,0	5,6	44	26
D 3219	32 B-2	28,8	87,3	-	12,5	6,3	51	28

Triple chains to DIN 8187, DIN 8154								
Tr 67	06 B-3	5,2	-	25,6	2,0	1,2	10	6,5
Tr 85	08 B-3	7,0	-	34,8	2,6	1,6	13	9
Tr 106	10 B-3	8,9	-	42,0	3,5	2,0	16	11
Tr 127	12 B-3	10,8	-	49,7	4,2	2,4	19	12
Tr 1611	16 B-3	15,8	-	79,5	5,5	3,2	26	17
Tr 2012	20 B-3	18,1	-	91,0	7,0	4,0	32	21
Tr 2416	24 B-3	23,6	-	120,3	8,0	4,8	38	25
Tr 2819	28 B-3	28,8	-	147,9	10,0	5,6	44	26
Tr 3219	32 B-3	28,8	-	145,9	12,5	6,3	51	28

Designation	iwis							
	DIN/ISO	B ₁ h14	B ₂ h13	B ₃ h12	k ₀ ¹⁾	c	f _s	s ²⁾

Single chains to DIN 8188								
L 85 A	08 A-1	7,3	-	-	2,6	1,6	13	9
M 106 A	10 A-1	9,0	-	-	3,5	2,0	16	11
M 128 ASL	12 A-1	12,0	-	-	4,2	2,4	19	13
M 128 AG	12 A-1	12,0	-	-	4,2	2,4	19	13
M 1610 A	16 A-1	15,0	-	-	5,5	3,2	26	17

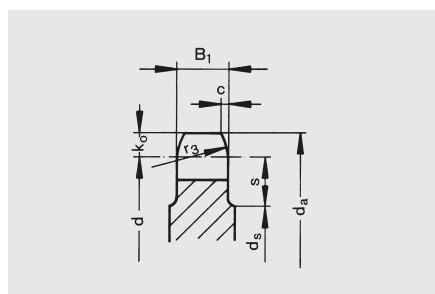
Double chains to DIN 8188								
D 85 A	08 A-2	7,2	21,5	-	2,6	1,6	13	9
D 106 A	10 A-2	8,8	26,9	-	3,5	2,0	16	11
D 128 A	12 A-2	11,8	34,5	-	4,2	2,4	19	13
D 1610 A	16 A-2	14,7	43,9	-	5,5	3,2	26	17

Triple chains to DIN 8188								
Tr 85 A	08 A-3	7,2	-	35,9	2,6	1,6	13	9
Tr 106 A	10 A-3	8,8	-	45,0	3,5	2,0	16	11
Tr 128 A	12 A-3	11,8	-	57,3	4,2	2,4	19	13
Tr 1610 A	16 A-3	14,7	-	73,2	5,5	3,2	26	17

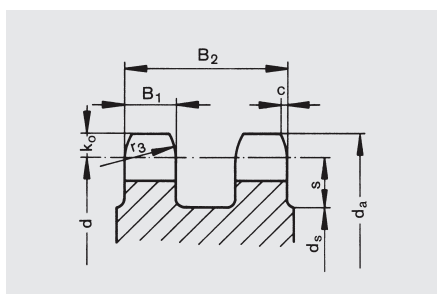
Long pitch chains to DIN 8181								
LR 165 SL	208 B	7,2	-	-	2,7	1,6	13	10,5
LR 206 SL	210 B	9,1	-	-	3,7	2,0	16	12,5
LR 247 SL	212 B	11,1	-	-	4,5	2,4	19	15,0
LR 3211	216 B	16,1	-	-	6,0	3,2	26	19,5

Side bow chains								
L 85 A-SB	-	7,3	-	-	2,6	1,6	13	9
M 106 A-SB	-	9,0	-	-	3,5	2,0	16	11
M 128 A-SB	-	12,0	-	-	4,2	2,4	19	13

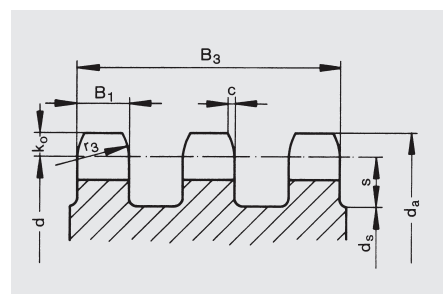
¹⁾ Value for k₀ only approx. For 17 teeth and below and application in limit conditions, d_s is calculated in accordance with formula on page 14.
²⁾ Value for s only approx. For application in limit conditions d_s is calculated in accordance with formula on page 15.



$$d_a = d + 2 \cdot k_0$$



$$d_s = d - 2 \cdot s$$



d from chain wheel catalogue

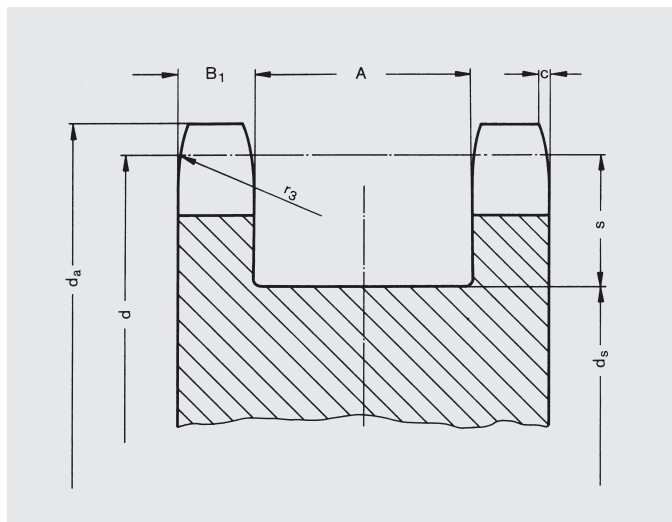
PITCH CIRCLE CORRECTION FOR LONG PITCH CHAINS

In the case of roller chains to DIN 8181 (long pitch type) the chain wheels with normal pitch to DIN 8187/88 are often used, in order to avoid a special design. If on the other hand an accurate wrap around these chain wheels has to be achieved, it is necessary to correct the pitch circle diameter. The tooth forming is carried out on a larger pitch circle diameter. The correction is made in accordance with the following formula:

$$d = \frac{2 \cdot p}{\sin \frac{360^\circ}{z}}$$

p = pitch
 z = no. of teeth
 for chain wheels to DIN 8187/88

CHAIN WHEEL SECTION FOR POWER AND FREE CONVEYOR CHAIN



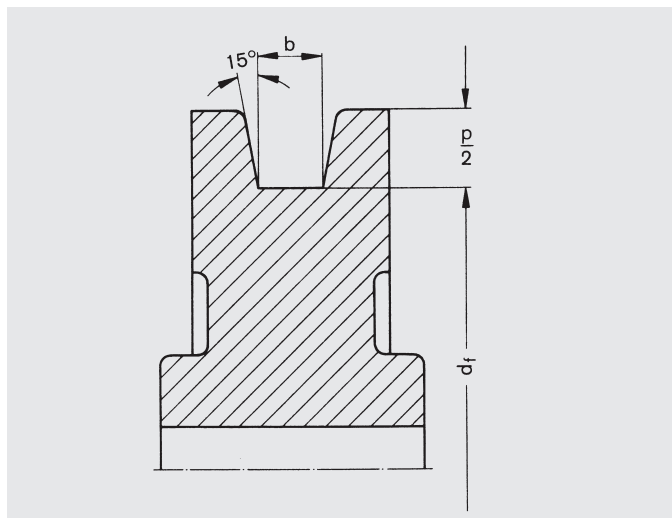
$$d = \frac{p}{\sin \frac{180^\circ}{z}}$$

$$d_s = d - 2s$$

z = no. of teeth
 da, c, r3 see page 16

iwis designation	Pitch p	B ₁	s	A
M 127 SFS/K	19,05	10,8	15	20,7
LR 247 SFS/K	38,1	10,8	15	20,7
M 1611 SFS/K	25,4	11,6	20,5	33,3
LR 3211 SFS/K	50,8	11,6	26	33,3

GUIDE PULLEY FOR HIGH-PERFORMANCE LEAF CHAINS



Sizes/dimensions:

Inner roller width
 $b = a_1 \cdot 1,15$

Permissible min. root circle diameter

$$d_{f_{min}} = p \cdot 5$$

a_1 = width of chain from catalogue
 „Precision chain systems for drive and conveyor purposes“

p = chain pitch

A

3 Checking chain wheels

Chain wheels

The dimensions indicated on pages 16 to 19 must be checked. This applies also to the surface finish.

The root circle diameter, together with the longitudinal tolerance of the chain provides the initial gearing between the chain and the chainwheel. With an excessively small root circle diameter the chain is located relatively high in the tooth form from the very beginning. Thus the capacity for absorbing wear is reduced. Particular care

should be taken in the manufacture of chain wheels with a small number of teeth. The accuracy of the root circle diameter can be checked by placing a new chain on the machined teeth. If the individual chain links can be lifted out of the teeth the root circle diameter is too small. The check thus described can only be used for low requirements. A more accurate check should be carried out by measurement taken over checking pins as shown – M_R .

B

Layout of chain drives

C

General information chain drives

D

Chains for industrial use

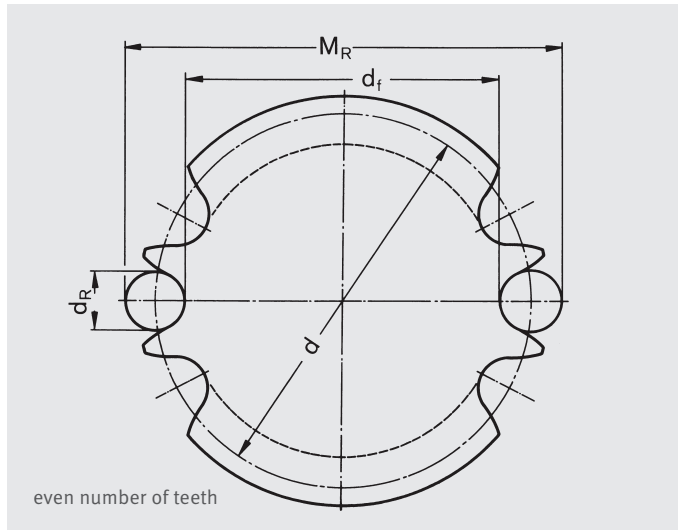
E

Automotive chain drives

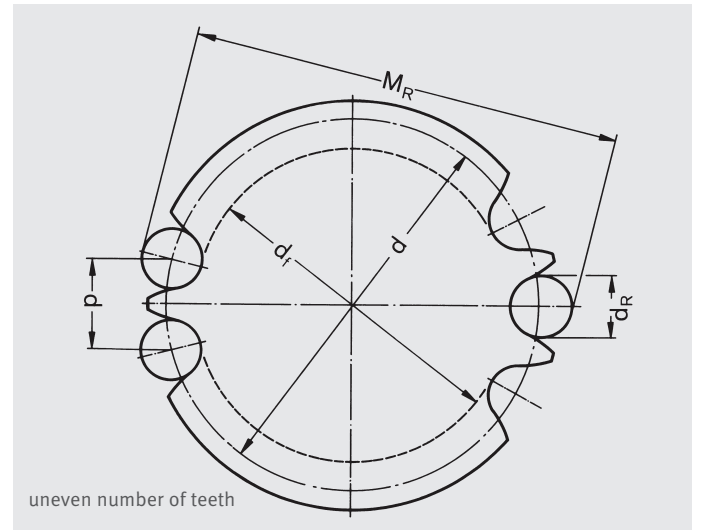
F

Conversion charts, iwis chain guideline

G



$$M_R = d + d_{R \min}$$



$$M_R = d \cdot \cos \frac{90^\circ}{z} + d_{R \min}$$

$d_r = d_1$ but with permissible + 0,01 tolerance - 0
Dimensions d and M_R see the tables from page 21 onwards

In addition the chainwheels should be checked for run-out and excentricity. DIN 8196 gives the following recommendations:

Concentricity

Max. discrepancy in concentricity between chain wheel bore and root circle diameter when locating the wheel in the bore: $0,0008 \cdot d_f + 0,08$ or $0,15$ (according to which value is the higher), **but a maximum of 0,76 mm.**

Run-out

Max. run-out allowable between chain wheel bore and face of chain wheel, with the wheel located in the bore is: $0,0009 d_f + 0,08$, **with a maximum of 1,14 mm**

Dimension d – pitch circle diameter and z – no. of teeth – see tables in catalogue “Chain Wheels and Plate Wheels”

Chain wheel bore

Unless otherwise agreed between Manufacturer and Costumer, the chain wheel bores shall have a tolerance range of H 8.

Choice of material

The choice of material depends on the drive conditions, number of teeth, speed and trans-mitted torque. For small chain wheels with fewer than 30 teeth and an average chain speeds up to approx. 7 m/sec. Steel of a higher strength is used. In the cace of higher chain speeds tempered, case hardened or flame hardened steel is used. For the manufacture of large chain wheels with more than 30 teeth, grey iron or steel castings are used for average speeds, whereas tempered steel is usual for higher chain speeds.

The performance and longevity of a sprocket is not only determined by the precision of the chain, but also by its quality.

1 Fundamental principles

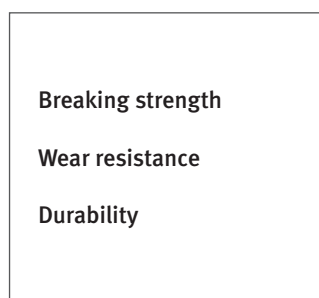
The suitability of a chain drive for a specific purpose depends upon whether it can sustain the stresses that arise for an assumed period of time. When designing it is necessary to take into account

all influencing factors which in their entirety determine the durability of a chain. The following diagram is designed to provide an idea of the interdependence of the influencing factors.

Load factors



Chain factors



Selection factors



THERE ARE THREE SIGNIFICANT FACTORS THAT DETERMINE THE OPERATIONAL CHARACTERISTICS OF THE CHAIN:

Breaking strength:

If the load on a chain is increased until the chain breaks, this load will equal the breaking strength and the fracture that occurs is referred to as a forced fracture.

The test can be repeated with reduced loads, until finally there are no more fractures and the fatigue resistance figure has been established.

Bearing pressure, friction travel (page 27) and quality of lubrication are important factors that affect chain wear. The selection can be affected by multiplying the capacity to be transmitted by the following factors.

Fatigue resistance

The influencing factors arising from the operational conditions subject the chain to alternating loads. These loads can be recreated on a Pulsator and the cycles required to cause failure can be determined.

Wear resistance

The wear in the chain links and the resulting chain elongation determine the permissible load for roller and bush chains. In the case of optimum operating conditions, the expected life is 15.000 operating hours with a max. 2 % chain elongation.

A

Chain wheels

B

Layout of
chain drives

C

General information
chain drives

D

Chains for
industrial use

E

Automotive
chain drives

F

Conversion charts,
iwis chain guideline

G

A

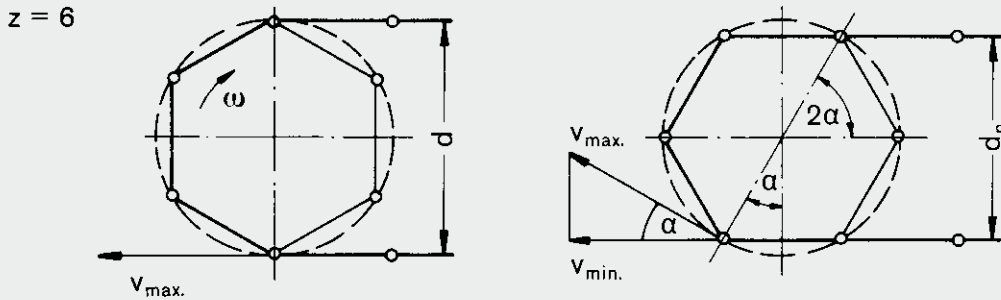
1.1 Influencing factors

Number of teeth

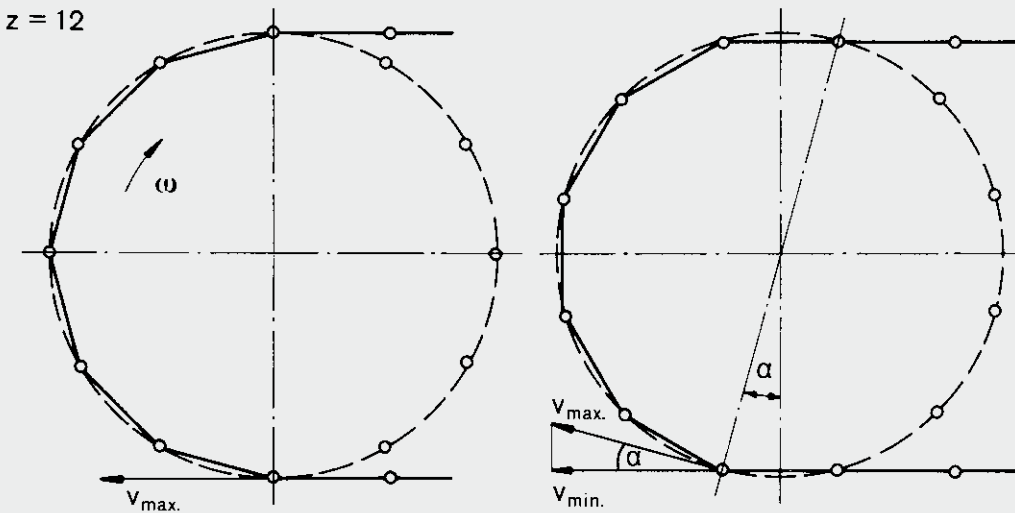
The influence of the number of teeth z in a small sprocket is taken into account by factor f_1 .

z	11	13	15	17	19	21	23	25
f_1	1,72	1,46	1,27	1,12	1,0	0,91	0,83	0,76

B



C



D

E

Each sprocket is a polygon whose number of corners corresponds with the number of teeth. With a constant angular velocity the chain speed v is thus subject to periodic fluctuations between the limit values v_{max} and v_{min} (polygonal effect). In this way the chain is alternately accelerated and decelerated and there are increased loads.

$$v_{min} = \frac{d_n}{2} \cdot \omega = \frac{p \cdot n}{19100 \cdot \tan \frac{180^\circ}{z}}$$

$\left[\frac{m}{s} \right]$

p = Pitch in mm
 n = Rev./Min.
 z = Number of teeth

$$v_{max} = \frac{d}{2} \cdot \omega = \frac{p \cdot n}{19100 \cdot \sin \frac{180^\circ}{z}}$$

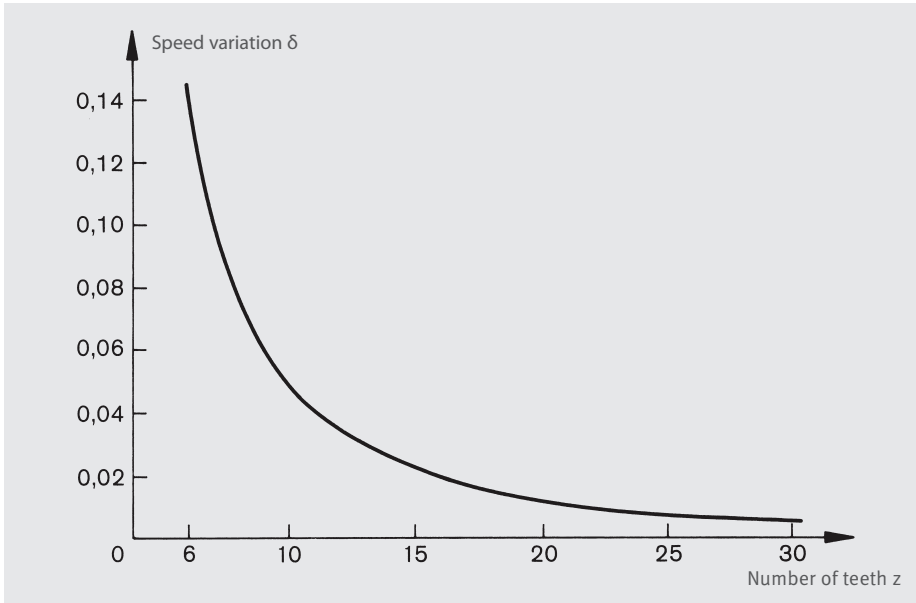
$\left[\frac{m}{s} \right]$

F

G

The speed variation due to the alternating speed v_{max} and v_{min} is calculated as follows:

$$\delta = \frac{v_{max} - v_{min}}{v_{mittel}}$$



The speed variation is only dependent on the number of teeth z . It increases with the number of teeth $z < 19$ to a considerable extent. This is the reason why small numbers of teeth, particularly in conjunction with higher speeds should be avoided. With $z > 19$ the speed variation approaches but does not meet the datum (zero) line asymptotically, that is the polygonal effect is without any influence from $z = 19$ onwards.

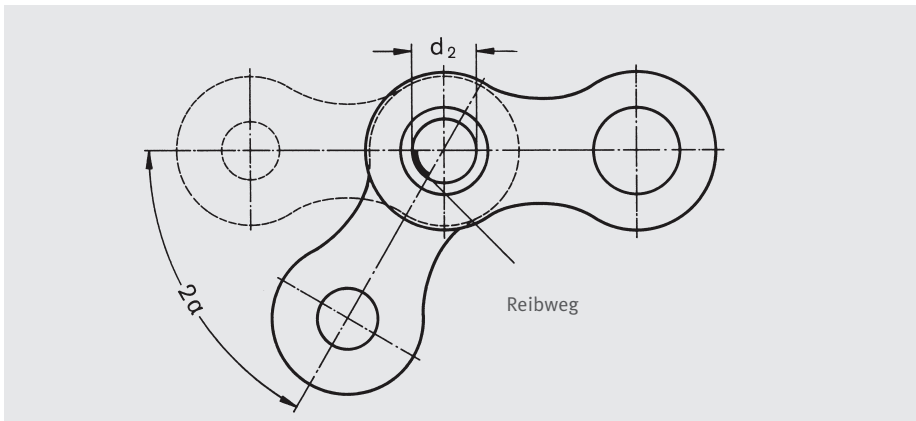
When the chain runs on the chainwheel the link angle is as follows: Consequently the deflection (angle of friction) increases with

a decreasing number of teeth and wear increases. The friction travel is calculated as follows: d_2 = Diameter of bearing pin in mm

$$2\alpha = \frac{360^\circ}{z}$$

$$s = \frac{d_2 \cdot \pi}{z}$$

[mm]



The lower the number of teeth the lower the permissible bearing pressure and the higher the poly-gonal effect.

A

Speed – Chain speed

As speed n of the driving wheel increases, the number of chain revolutions increases correspondingly. Each link is deflected more frequently and thus the friction travel and consequently the wear increases. In order to reach the desired durability of 15.000 operating hours with a max. of 2 % chain elongation; it is necessary to reduce the bearing pressure.

The number of chain revolutions per minute is

$$\frac{n_1 \cdot z_1}{X} \text{ bzw. } \frac{n_2 \cdot z_2}{X}$$

X = Number of links

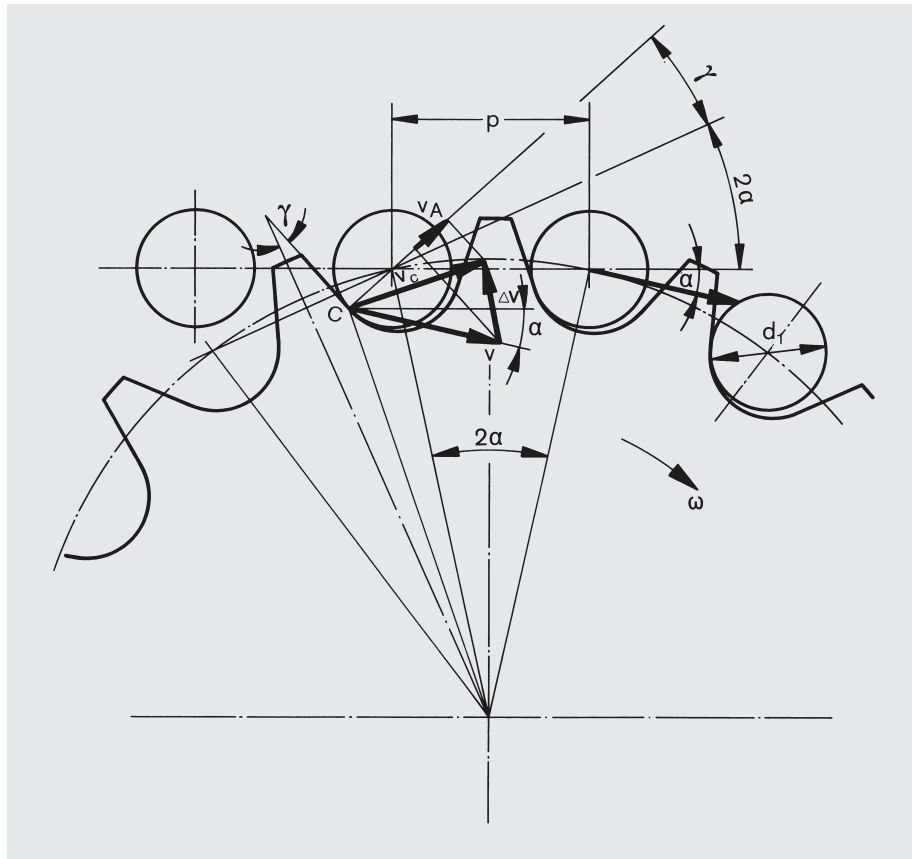
B

Chain speed in meters per second

$$v = \frac{d \cdot n \cdot \pi}{60000} \quad \left[\frac{m}{s} \right]$$

d = Pitch circle diameter in mm

C



As the chain speed increases the permissible bearing pressure must be reduced.

D

E

20 m/s should be considered as the maximum chain speed, with 30 m/s under certain circumstances. These figures drop considerably with an increase in pitch size. The chain speed is a decisive factor for the impact speed v_A of the chain wheel against the chain roller, as can be seen from the formula:

$$v_A = \frac{\pi \cdot n \cdot p}{30000} \cdot \sin \left(\frac{360}{z} + \gamma \right) \quad \left[\frac{m}{s} \right]$$

γ = angle of pressure

F

G

According to chain size a limit value of approx. 4 m/s is acceptable for v_A . A high impact speed causes high impact energy with a corresponding load on the chain rollers. With a given chain speed v the impact speed is to be kept low by means of a large number of teeth z .

As the chain gears on the wheel the chain rollers impact on the teeth with a shock. The kinetic energy of the impacting mass has to be absorbed by the roller.

Impact energy E_A :
in Newtonmeters

$$E_A = \frac{q \cdot p}{2000} \cdot v_A^2 \quad [\text{Nm}]$$

Impact force F_A :
in Newtons

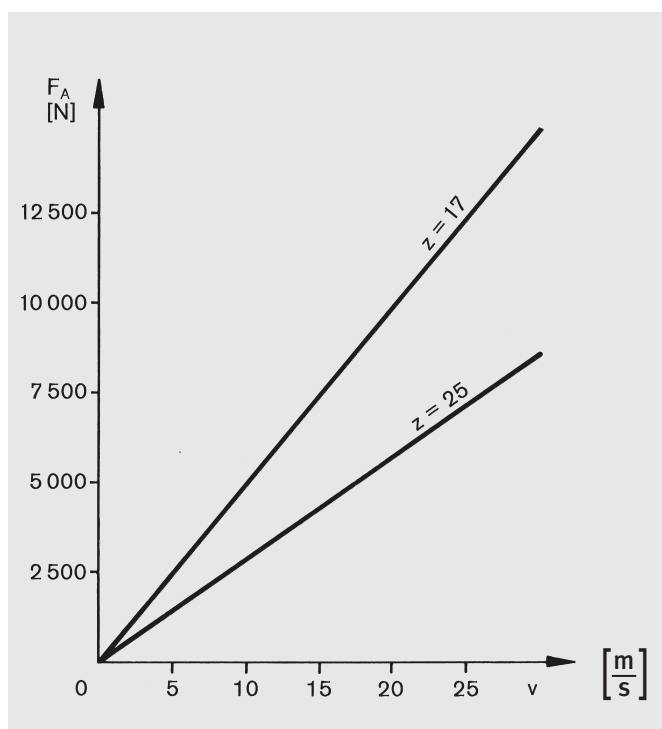
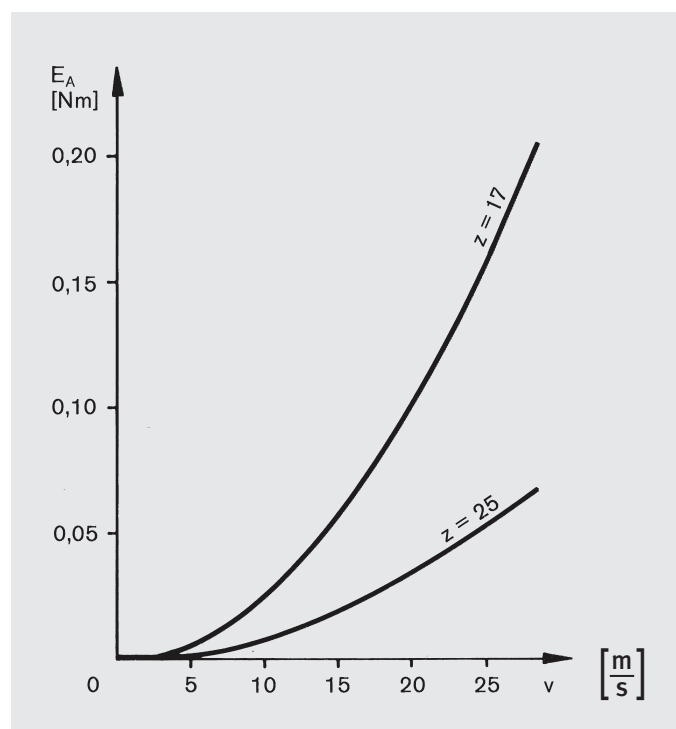
$$F_A = \sqrt{\frac{q \cdot p \cdot b_z \cdot E}{3}} \cdot v_A \quad [\text{N}]$$

The impact force F_A is absorbed as flank pressure. With a higher speed, and in particular with a low number of teeth z it requires a high degree of flank strength (high degree of surface hardness).

b_z = Width of teeth in mm

q = Weight of chain in $\frac{\text{kg}}{\text{m}}$

E = Modulus of elasticity $\frac{\text{N}}{\text{mm}^2}$



The above diagrams show the impact energy and force in the case of a $\frac{1}{2} \times \frac{5}{16}$ " chain, iwis reference L 85, depending on speed and number of teeth.

A

Layout of chain drives

Ratio

Effect of ratio i

i	1:1	2:1	3:1	5:1	7:1
f ₂	1,22	1,08	1,0	0,92	0,86

B

When i = 1:1 the friction travel is identical on both chain wheels.

$$\frac{d_2 \cdot \pi}{z_1} = \frac{d_2 \cdot \pi}{z_2}$$

When i = 2:1 the friction travel is:

$$\frac{d_2 \cdot \pi}{z_1} \text{ und } \frac{d_2 \cdot \pi}{z_2}$$

wodurch der Gesamtreibweg geringer wird.

C

The higher the ratio the higher the permissible bearing pressure.

The table quotes for i_{max} 7:1. This ratio should only be used in extreme cases and with a very slow running chain drive. As a result of the large arc of contact at the large

chain wheel and the high number of teeth in mesh, the chain on the non tensioned side will not engage positively. In this case a ratio of 4:1 should not be exceeded.

D

Shock factor

Effect of shock factor Y

Y	1	2	3	4
f ₃	1	1,37	1,59	1,72

Many chains are subjected to shock loads whose size depends on the type and performance of the driving and driven machines. These shocks lead to an increased load in the chain compared with a shockfree operation.

When designing the chain drive, this shock loading, which represents an increase in the chain pull and affects in particular the durability, must be taken into consideration.

E

The following shock factors can be taken as an illustration.

Shock factor Y = 1

For machines with shockfree operation, i.e. machines driven by electric motors, i.e. lathes, drilling machines, etc.

Shock factor Y = 3

for twin-cylinder piston pumps, mixing drums, stampers, lifting gears etc.

F

Shock factor Y = 2

For planers and shapers, presses of all types, weaver's looms, continuous conveyors, etc.

Shock factor Y = 4

for single-stage centrifugal compressors, etc.

For more detailed information see table on page 27

G

Shock factors Y for chain drives (Examples)

The figures given are mean values with a centre distance $a = 40 \times \text{no. of pitches}$

Allowances have to be made for unfavourable conditions.

	Elektromotoren	Driving Machine										
		Compustion engines					water turbines					
		slow		fast								
	1 Zylinder	2 Zylinder	bis 2 Zylinder	4 Zylinder	6 Zylinder und darüber	schnell	langsam	Dampfturbinen	Kolben-Dampfmaschinen	Transmiss. treibend (Gruppenantriebe)		
Equipment driven												
Lathes, drilling machines	1											
Milling machines	1,5											
Planing machines	2,3											
Shaping machines	2											
Drawing machines	1,8											
Presses	hydraulic	1,8		2,8	2,5	2,2						
	eccentric	2,5										
	toggle	2										
Woodworking machines	1,8	4,5	4	3,7	3	2,5	2,5	3,5		3,5	1,8	
Weaving looms	2										2	
Knitting machines	rotating	1,5										
	reciprocating	2										
Spinning machines	1,5										1,5	
Piston compressors	single stage	2,5	5	4,5	4	3,5						
	twin stage	2	4,5	4	3,5	3						
Centrifugal compressors	single stage	1,6	4	3,2	3	2,5	2					
	twin stage	1,3	3	2,7	2,5	2	1,6					
Blowers	1,5		3	2,7	2,5	2						
Fans	2,5		3,7							3,5	2,5	
Piston	1 cylinder	2	5	4	3,5	3	2,6	2,5	3,5			
	2 cylinder	1,8	4	3,5	3	2,7	2,3	2,2	2,7			
Centrifugal pumps	1,5	3	2,8	2,5	2,2	2				2,5		
Rolling mills	via gearbox	2,5										
	direct	3										
Press rollers	2										2	
Ball mills	1,8										1,8	
Tube mills	2										2	
Hammer mills	2,5		5	4,5	4	3,5					2,5	
Calendar mills	via gearbox	2,5										
	direct	3										
Cellulose grinders	1,8						2,2	3		3,5	1,8	
Oscillating screens	2		4	3,5	3,2	2,8				4	2	
Stampers	2	5	4	3,5	3,2							
Mixers	1,7	4	3,2	3	2,5	2						
Excavators	3			5	4,5	4				5		
Bodenfräse		5	4,5	4								
Agitators	1,6										1,6	
Continous conveyors for bulk material	1,5	3	2,8	2,5	2,2	2				2,8	1,5	
Continous conveyors for indiv. items	2	4	3,5	3	2,7	2						
Lifting gears	2,5	5	4	3,5	3	2,6						
Fork lift trucks		3			4,5	3,5						
Winch drives	2,5											
Generators	Large installation	1	2					1,2	1,5	1	1,8	1
	Small installation	1,5	2,8					1,7	2,5	1,5	2	1,5
Transmissionen lines (driven)	1,5				2,3	2	2	2,5	1,5	2,5	1,5	

A

 Chain wheels

B

 Layout of chain drives

C

 General information chain drives

D

 Chains for industrial use

E

 Automotive chain drives

F

 Conversion charts, iwis chain guideline

G

A

Centre distance

Effect of ratio of centre distance $\frac{a}{p}$

a = centre distance centres in mm
p = pitch in mm

$\frac{a}{p}$	20	40	60	80	160
f_4	1,18	1,0	0,91	0,87	0,69

B

If the shaft centre distance is increased, the chain must be increased in length and the number of chain rotations is therefore reduced.

Consequently individual chain links are deflected less frequently, therefore the total friction travel and the wear must be reduced.

A shaft centre distance should be chosen to provide an even number of chain links. A chain with an uneven number of links makes it necessary to use a cranked link, which reduces the chain breaking strength by 20 %.

The greater the centre distance the higher the permissible bearing pressure.

C

Lubrication

Effect of lubrication f_5

		Chain speed v in $\frac{m}{s}$	< 4	4-7	> 7
f_5	Lubrication	Perfect	1,0	1,0	1,0
		Inadequate with clean conditions	1,4	2,5	not permissible
		Inadequate with unclean conditions	2,5	4,0	
		None	5,0	not permissible	

Suitable lubrication is an important condition for the durability of a chain whose individual links perform like friction bearings carrying out a pivoting movement. An efficient lubrication system should therefore

be used as a matter of course, to ensure that the lubrication film in the link remains intact, thus avoiding unlubricated movements causing a high degree of wear. With inadequate lubrication and un-clean oper-

ating conditions the transmittable power is reduced by up to 20 %. Thus the efficiency of the chain is reduced more dramatically than by any other factor.

D

E

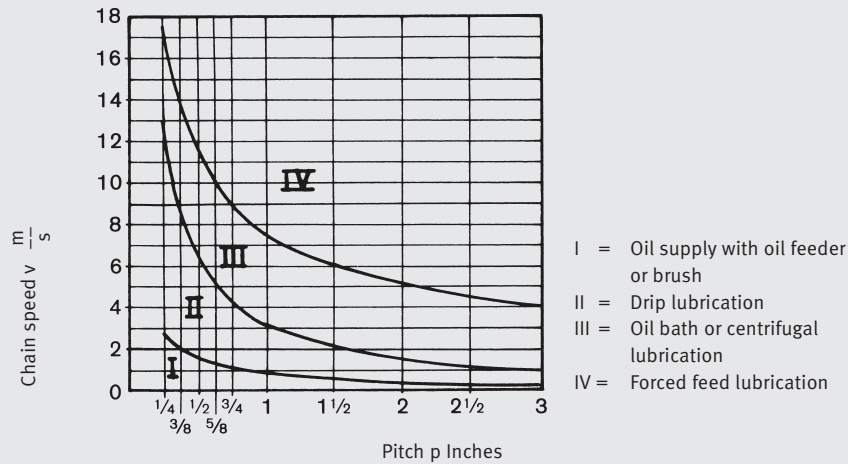
Transmittable power

Chain speed	perfect lubrication	inadequate lubrication		without lubrication
		clean conditions	unclean	
up to 4 $\frac{m}{s}$	100 %	70%	40 %	20 %
up to 7 $\frac{m}{s}$		40%	25 %	not permissible

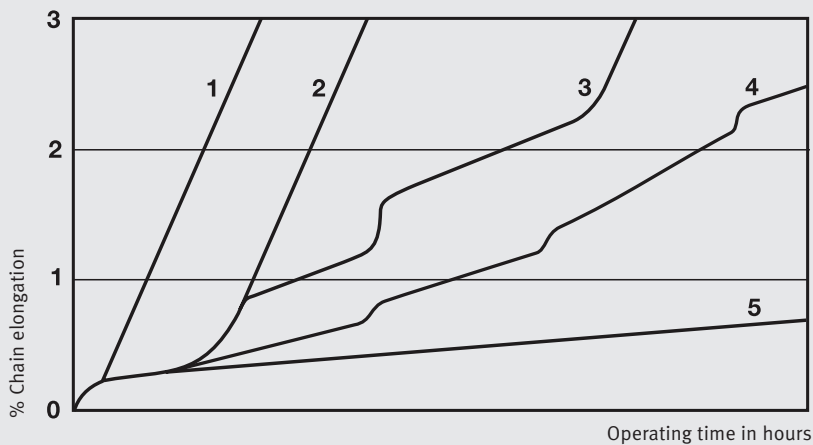
F

G

Types of lubrication



If adequate lubrication is not possible, an oversized chain must be selected, unless a shorter working life is acceptable, as an alternative. The most suitable lubrication system depends also on the chain speed.



Graph 1

Dry running, heavy wear, deterioration of chain within the shortest possible time.

Graph 2

One single lubrication, delayed wear until lubrication is exhausted.

Graph 3

Occasional dry running with manual lubrication, if lubrication intervals are neglected.

Graph 4

Faulty lubrication, irregular wear caused by low quality, unclean, unsuitable or insufficient lubrication.

Graph 5

Complete lubrication, considerable reduction of wear, highest guarantee for long chain life.

Chain elongation compared with operating time and various lubrication conditions is illustrated by the following graph:

The permissible bearing area pressing is directly related to the effectiveness of the lubrication.

A

iwis Chain wheels

B

Layout of iwis chain drives

C

General information iwis chain drives

D

iwis Chains for industrial use

E

iwis Automotive chain drives

F

Conversion charts, iwis chain guideline

G

Multi shaft drives

Where more than two shafts are driven by a chain, the power should be increased by the factor f_6 . The use of additional shafts increases the friction travel between chain pin and bush by

$$\frac{d_2 \cdot \pi}{z_1} + \frac{d_2 \cdot \pi}{z_2} + \frac{d_2 \cdot \pi}{z_3} + \dots$$

during one chain revolution.

Consequently, factor f_6 should be taken into account for the bearing pressure.

$$f_6 = \sqrt[3]{\frac{\left(\frac{1}{z_1} + \frac{1}{z_2} + \frac{1}{z_3} + \dots\right) 10^3}{0,584 X}}$$

X = Number of links.

If the number of shafts is increased, the permissible bearing pressure is reduced.

SUMMARY

The previously mentioned factors f_1 – f_6 determine significantly the permissible bearing pressure.

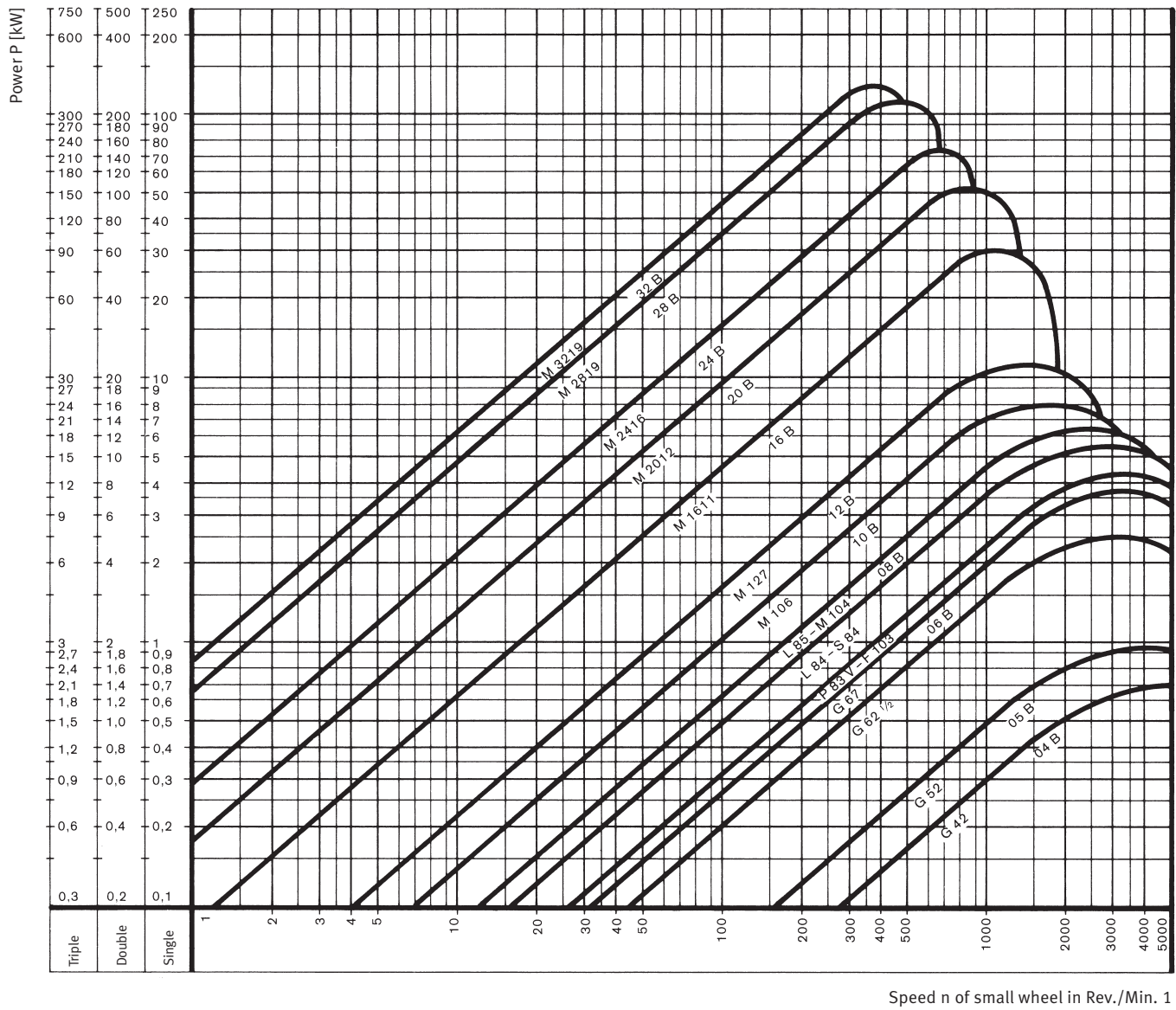
Relevant determining factors are given in the table on page 35.



2 Chain calculation

2.1 Pre-selection

BRITISH STANDARD CHAINS PERFORMANCE DIAGRAM DIN 8187



Speed n of small wheel in Rev./Min. 1

A

iwis Chain wheels

B

Layout of **iwis** chain drives

C

General information **iwis** chain drives

D

iwis Chains for industrial use

E

iwis Automotive chain drives

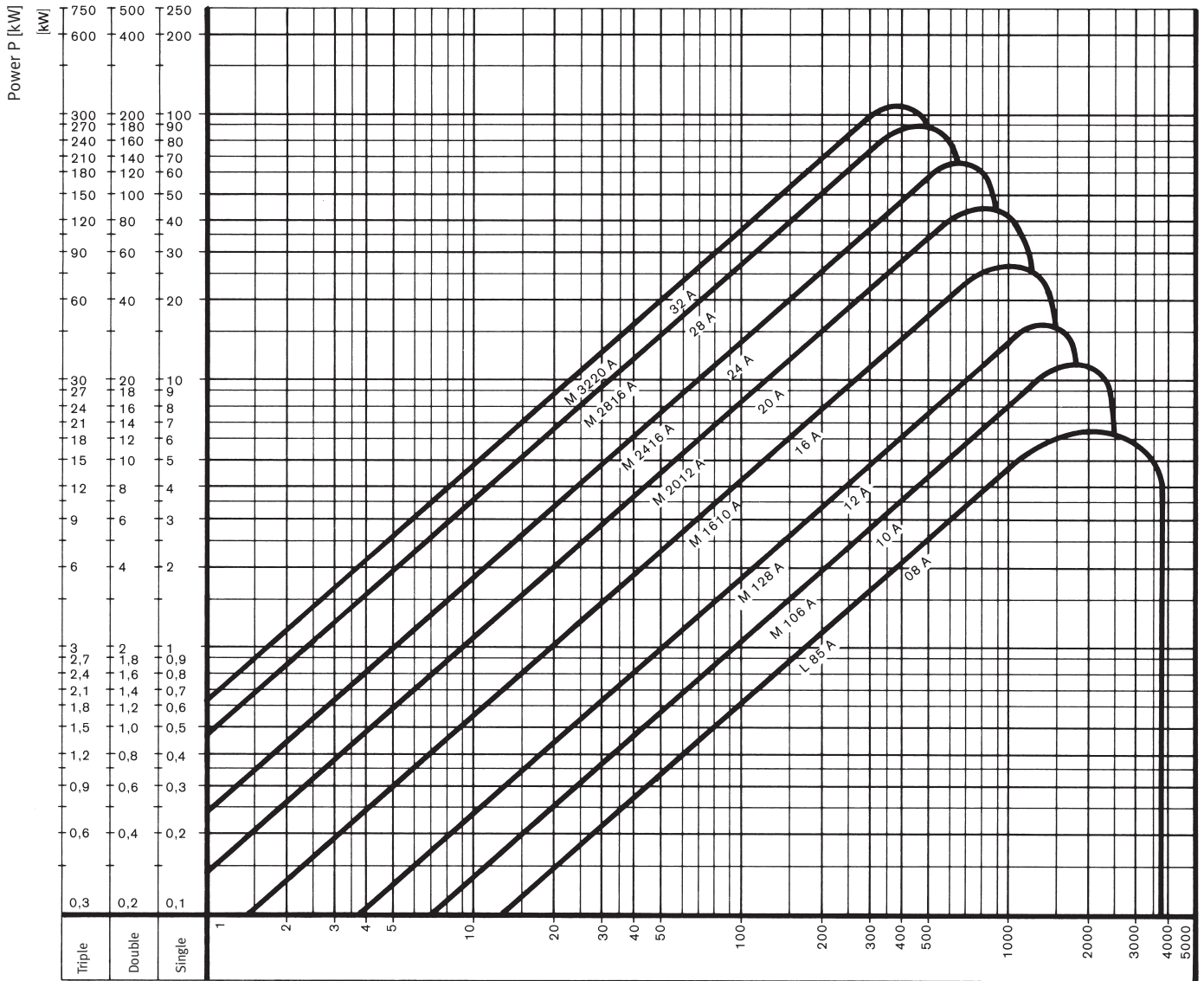
F

Conversion charts, **iwis** chain guideline

G

2.1 Pre-selection

AMERICAN STANDARD CHAINS PERFORMANCE DIAGRAM DIN 8188



Speed n of small wheel in Rev./Min. 1

Initial selection by performance diagram

The plotting of the performance curve was based on the following initial values:

Number of teeth of small chain wheel $z_1 = 19$,
ratio $i = 3:1$, shockfree operation
 $Y = 1$, centre distance $40 \times p$
($p = \text{pitch}$), perfect lubrication, 2 shafts.

Since these conditions are met in very few cases only, the power to be transmitted P will be corrected to the diagram power P_D , taking into consideration the variable factors f_1 to f_6 .

Overall factor

$$P_D = P \cdot f_G$$

$$f_G = f_1 \cdot f_2 \cdot f_3 \cdot f_4 \cdot f_5 \cdot f_6$$

To pre-select a chain the following factors should be taken into account:

Factors:

f_1 Effect of the number of teeth of the small chain wheel z

z	11	13	15	17	19	21	23	25
f_1	1,72	1,46	1,27	0,12	1,0	0,91	0,83	0,76

f_2 Effect of ratio i

i	1:1	2:1	3:1	5:1	7:1
f_2	1,22	1,08	1,0	0,92	0,86

f_3 Effect of Shock factor Y

Y	1	2	3	4
f_3	1	1,37	1,59	1,72

f_4 Effect of ratio of centre distance $\frac{a}{p}$

$\frac{a}{p}$	20	40	60	80	160
f_4	1,18	1,0	0,91	0,87	0,69

f_5 Effect of lubrication

Chain speed v in $\frac{m}{s}$		< 4	4-7	> 7
f_5	Lubrication			
	perfect	1,0	1,0	1,0
	inadequate with clean conditions	1,4	2,5	unacceptable
	inadequate with unclean conditions	2,5	4,0	
	none	5,0	unacceptable	

f_6 Effect of number of chain wheels

$$f_6 = \sqrt[3]{\frac{\left(\frac{1}{z_1} + \frac{1}{z_2} + \frac{1}{z_3} + \dots\right) 10^3}{0,584}} \times$$

$f_6 = 1$ for drive comprising two shafts

Pre-selection of a chain from DIN 8187 performance curve – Example:

In the performance curve the power (0,25 kW) crosses the vertical speed line (40 min^{-1}) in the upper area of chain L 85. This chain would be adequate, without taking into account the various factors.

Determining diagram power P_D and factor f_G :

The factors are taken from the adjacent tables. Intermediate values are interpolated.

No. of teeth chosen for small chain wheel $z_1 = 17$ $f_1 = 1,12$

Ratio $i = 4$ $f_2 = 0,96$

Assumed shock factor $Y = 2$ $f_3 = 1,37$

Ratio of centre distance $\frac{a}{p} = \frac{380}{12,7} = 30$

$f_4 = 1,09$

Perfect lubrication $f_5 = 1$

Chain drive with 2 chain wheels $f_6 = 1$

$f_G = 1,12 \cdot 0,96 \cdot 1,37 \cdot 1,09 \cdot 1 \cdot 1 = 1,60$

$P_D = P \cdot f_G = 0,25 \cdot 1,60 = 0,40 \text{ kW}$

If $P_D = 0,40 \text{ kW}$ is checked at $n = 40 \text{ min}^{-1}$ in the power curve, it will be found that the L 85 chain is not strong enough. The next stronger chain M 106 is selected and verified by calculation.

For calculation examples see page 36.

A

Chain wheels
iwis chain drives

B

Layout of
iwis chain drives

C

General information
iwis chain drives

D

Chains for
industrial use
iwis

E

Automotive
chain drives
iwis

F

Conversion charts,
iwis chain guideline

G

2.2 Calculation

Summary of formulae

Item to be calculated	Des.	Formula or reference		Item to be calculated	Des.	Formula or reference	
Power transmitted	P	$P = \frac{F \cdot v}{1000} = \frac{M \cdot n}{9550}$	kW	Determining factors for bearing pressure	p_v	see table on page 35	$\frac{N}{cm^2}$
Diagram performance	P_D	$PD = P \cdot f_G$	kW	Friction travel factor	l	see table on page 35	--
Influencing factors	f_G	$f_G = f_1 \cdot f_2 \cdot f_3 \cdot f_4 \cdot f_5 \cdot f_6$	--	Breaking load of chain	F_B	see table on page 12	N
Torque	M	$M = \frac{9550 \cdot P}{n} = \frac{F \cdot d}{2000}$	Nm	Static breaking load safety factor	γ_{st}	$\gamma_{st} = \frac{F_B}{F_G}$	--
Speed	n	$n = \frac{60000 \cdot v}{d \cdot \pi} = \frac{60000 \cdot v}{z \cdot p}$	min-1	Dynamic breaking load safety factor	γ_d	$\gamma_d = \frac{F_B}{F_G \cdot Y}$	--
Ratio	i	$i = \frac{n_1}{n_2} = \frac{z_2}{z_1}$	--	Shock factor	Y	see table on page 27	--
Pitch circle diameter	d	$d = \frac{p}{\sin \frac{180^\circ}{z}}$	mm	No. of links	X	$X = 2 \frac{a}{p} + \frac{z_1 + z_2}{2} + \frac{A \cdot p}{a}$	--
Chain speed	v	$v = \frac{z \cdot n \cdot p}{60000} = \frac{d \cdot \pi \cdot n}{60000} = \frac{1000 \cdot P}{F}$	$\frac{m}{s}$	Pitch	p	see table on page 12	mm
Chain pull	F	$F = \frac{1000 \cdot P}{v} = \frac{2000 \cdot M}{d}$	N	Compensating factor	A	$A = \left(\frac{z_2 - z_1}{2\pi} \right)^2$ see table on page 41	--
Centrifugal force	F_f	$F_f = q \cdot v_2$	N	Centre distance $z_1 = z_2$	a	$a = \frac{X - z}{2} \cdot p$	mm
Total pull	F_G	$F_G = F + F_f$	N	Centre distance z_1 not equal to z_2	a	$a = [2X - (z_1 + z_2)] \cdot C \cdot p$	mm
Chain weight per metre	q	see table on page 12	$\frac{kg}{m}$	Factor for centre distance	C	see table with calculation on page 41	--
Bearing pressure, calculated	p_r	$p_r = \frac{F_G}{f}$	$\frac{N}{cm^2}$	Impact speed	v_A	$v_A = \frac{\pi \cdot n \cdot p}{30000} \cdot \sin \left(\frac{360^\circ}{z} + \gamma \right)$	$\frac{m}{s}$
Bearing pressure, permissible	p_{zul}	$p_{zul} = \frac{p_v \cdot \lambda}{f_5 \cdot f_6}$	$\frac{N}{cm^2}$	Angle of pressure	γ		Grad
Bearing area	f	$f = b_2 \cdot d_2$ see table on page 12	cm ²				

Determining factors for bearing pressure p_v in N/cm^2

Chain speed v in $\frac{m}{s}$	No. of teeth of small wheel														
	11	12	13	14	15	16	17	18	19	20	21	22	23	24	≥ 25
0,1	3020	3060	3110	3160	3205	3235	3255	3285	3335	3365	3385	3415	3430	3460	3480
0,2	2755	2795	2825	2875	2920	2940	2970	3000	3040	3060	3080	3110	3130	3160	3175
0,4	2650	2685	2725	2775	2815	2835	2855	2895	2920	2940	2960	2990	3010	3040	3060
0,6	2530	2570	2600	2650	2685	2705	2725	2765	2795	2815	2835	2855	2875	2905	2920
0,8	2440	2480	2510	2560	2600	2620	2630	2665	2695	2715	2735	2755	2775	2805	2825
1,0	2335	2375	2405	2440	2470	2490	2510	2540	2570	2590	2610	2630	2650	2665	2685
1,5	2245	2285	2315	2355	2385	2405	2420	2450	2480	2500	2520	2540	2560	2580	2600
2,0	2165	2195	2225	2265	2305	2325	2335	2365	2395	2410	2420	2440	2460	2480	2500
2,5	2090	2120	2150	2185	2215	2235	2245	2275	2305	2325	2335	2355	2395	2420	2450
3	2010	2040	2070	2100	2130	2150	2165	2195	2215	2245	2275	2305	2335	2375	2410
4	1705	1795	1885	1960	2030	2060	2090	2120	2140	2175	2215	2255	2295	2335	2375
5	1375	1520	1655	1735	1805	1875	1930	1970	2010	2060	2110	2140	2165	2200	2235
6	1030	1206	1385	1510	1610	1695	1775	1845	1910	1950	2000	2030	2070	2100	2140
7	835	980	1130	1255	1375	1480	1590	1705	1815	1835	1865	1900	1940	1980	2020
8	-	785	1000	1090	1175	1285	1395	1530	1665	1705	1745	1785	1835	1875	1920
10	-	-	795	885	1000	1090	1177	1295	1400	1430	1470	1540	1610	1670	1735
12	-	-	-	-	805	890	1050	1145	1235	1275	1325	1385	1450	1510	1570
15	-	-	-	-	-	-	875	950	1030	1080	1130	1185	1245	1305	1375
18	-	-	-	-	-	-	-	-	865	940	1030	1090	1155	1215	1275

Guide figures below the line should be avoided.

Friction travel factor λ

Shock factor	Chains to DIN	$a = 20 \cdot p$ $z_2 : z_1$					$a = 40 \cdot p$ $z_2 : z_1$					$a = 60 \cdot p$ $z_2 : z_1$					$a = 80 \cdot p$ $z_2 : z_1$					$a = 160 \cdot p$ $z_2 : z_1$				
		1:1	2:1	3:1	5:1	7:1	1:1	2:1	3:1	5:1	7:1	1:1	2:1	3:1	5:1	7:1	1:1	2:1	3:1	5:1	7:1	1:1	2:1	3:1	5:1	7:1
1	8187, 8188, 8154	0,70	0,79	0,85	0,92	0,99	0,82	0,93	1,00	1,09	1,16	0,90	1,02	1,10	1,20	1,28	0,94	1,06	1,15	1,25	1,34	1,19	1,35	1,45	1,58	1,68
	8181	0,56	0,63	0,68	0,74	0,79	0,66	0,74	0,80	0,87	0,93	0,72	0,82	0,88	0,96	1,03	0,75	0,85	0,92	1,00	1,07	0,95	1,08	1,16	1,26	1,35
2	8187, 8188, 8154	0,51	0,57	0,62	0,67	0,72	0,60	0,68	0,73	0,79	0,85	0,66	0,74	0,80	0,87	0,93	0,69	0,78	0,84	0,91	0,98	0,87	0,99	1,06	1,15	1,23
	8181	0,41	0,46	0,50	0,54	0,58	0,48	0,54	0,58	0,63	0,68	0,53	0,59	0,64	0,70	0,74	0,55	0,62	0,67	0,73	0,78	0,70	0,79	0,85	0,93	0,99
3	8187, 8186, 8154	0,44	0,49	0,53	0,58	0,62	0,52	0,59	0,63	0,69	0,73	0,57	0,64	0,69	0,75	0,80	0,59	0,67	0,72	0,78	0,84	0,75	0,85	0,91	0,99	1,06
	8181	0,35	0,39	0,42	0,46	0,50	0,42	0,47	0,50	0,55	0,58	0,46	0,51	0,55	0,60	0,64	0,47	0,54	0,57	0,62	0,67	0,60	0,68	0,73	0,80	0,85
4	8187, 8188, 8154	0,40	0,45	0,49	0,53	0,57	0,48	0,54	0,58	0,63	0,67	0,53	0,59	0,64	0,69	0,74	0,55	0,62	0,67	0,73	0,78	0,69	0,78	0,84	0,92	0,97
	8181	0,32	0,36	0,39	0,42	0,46	0,38	0,43	0,46	0,50	0,54	0,42	0,47	0,51	0,55	0,59	0,44	0,50	0,54	0,58	0,62	0,55	0,62	0,67	0,73	0,78

A

2.3 Examples of calculations

Example 1:

A conveyor belt driven by a roller chain from a geared motor.

Drive details:

Power output of geared motor	P	= 0,96 kW
Driving speed	n ₁	= 20 min ⁻¹
Speed of driven shaft	n ₂	= 10 min ⁻¹
Centre distance	a	= ca. 1900 mm

a) Preselection of chain from DIN 8187 power diagram, page 31

The intersection between the horizontal power curve (for 0,96 kW) and the vertical speed curve (for 20 min⁻¹) is situated in the upper area of the chain M 1611. This chain would be adequate without taking into consideration the various factors.

Establishing diagram power P_D

For factors see page 33
Number of pinion teeth, selected
Ratio n₁ : n₂
Shock factor, assumed
Ratio for centre distance

$$\begin{aligned} z_1 &= 17 & f_1 &= 1,12 \\ i &= 2 & f_2 &= 1,08 \\ Y &= 2 & f_3 &= 1,37 \\ \frac{a}{p} &= \frac{1900}{25,4} = 75 & f_4 &= 0,88 \end{aligned}$$

Lubrication, perfect
Drive with 2 chain wheels

$$\begin{aligned} f_5 &= 1 \\ f_6 &= 1 \end{aligned}$$

$$\begin{aligned} f_G &= f_1 \cdot f_2 \cdot f_3 \cdot f_4 \cdot f_5 \cdot f_6 \\ &= 1,12 \cdot 1,08 \cdot 1,37 \cdot 0,88 \cdot 1 \cdot 1 \\ &= 1,46 \end{aligned}$$

$$\begin{aligned} P_D &= P \cdot f_G \\ &= 0,96 \cdot 1,46 \\ &= 1,4 \text{ kW} \end{aligned}$$

If P_D is located again in the power diagram at n = 20 Rev./Min., it will be found that chain M 1611 is unsuitable. The next stronger chain M 2012 is selected.

b) Re-calculating selected chain Roller chain M 2012

Pitch	p	= 31,75 mm
Breaking load	F _B	= 100 000 N
Bearing area	f	= 2,94 cm ²
Chain weight	q	= 3,32 kg/m

Chain wheel

Pitch circle diameter at
z₁ = 17 d = 172,79 mm

C

D

E

F

G

1) Chain speed:

$$v = \frac{d \cdot \pi \cdot n_1}{60000} = \frac{172,79 \cdot \pi \cdot 20}{60000} = 0,18 \frac{\text{m}}{\text{s}}$$

2) Chain pull:

$$F = \frac{1000 \cdot P}{v} = \frac{1000 \cdot 0,96}{0,18} = 5333 \text{ N}$$

3) Centrifugal force:

$$F_f = q \cdot v^2 = 3,32 \cdot 0,18^2 = 0,11 \text{ N}$$

4) Total pull:

$$F_G = F + F_f = 5333 \text{ N} \quad \text{– Centrifugal force ignored}$$

5) Bearing pressure
arithmetic:

$$p_r = \frac{F_G}{f} = \frac{5333}{2,94} = 1813,9 \frac{\text{N}}{\text{cm}^2}$$

6) Bearing pressure
permissible:

$$p_{zul} = \frac{p_v \cdot \lambda}{f_s \cdot f_6} = \frac{3027 \cdot 0,77}{1 \cdot 1} = 2240 \frac{\text{N}}{\text{cm}^2}$$

The arithmetic bearing pressure should not exceed the permissible value.

The approx. Value p_v and the friction travel λ are determined by interpolation from the tables on page 35.7) Static breaking load
safety factor:

$$\gamma_{st} = \frac{F_B}{F_G} = \frac{100000}{5333} = 18,7$$

– higher than the recommended minimum value 7

8) Dynamic breaking load
safety factor:

$$\gamma_d = \frac{F_B}{F_G \cdot Y} = \frac{100000}{5333 \cdot 2} = 9,4$$

– higher than the recommended minimum value 5

According to the table for types of lubrication on page 29, manual lubrication is sufficient.

The re-calculation shows that chain M 2012 was selected correctly.

Thus it is possible to establish the exact length of the chain (see page 40).

If space restrictions are present, double or triple strand chains of a smaller pitch could be selected.

A

2.3 Examples of calculations

Example 2:

Chain drive to a hydraulic pump. For this the following information is available.

Torque	$M = 45,7 \text{ Nm}$
Driving Speed	$n_1 = 200 \text{ min}^{-1}$
Ratio	$i = 2$
Centre distance	$a = \text{ca. } 750 \text{ mm}$
Max. permissible external diameter, including chain on wheel:	$d_A = 70 \text{ mm}$

a) Pre-selection chain from DIN 8187 power curve, page 31

Power:

$$P = \frac{M \cdot n_1}{9550} = \frac{45,7 \cdot 200}{9550} = 0,96 \text{ kW}$$

The diagram shows that chain L 85 should be used. In view of the higher operating conditions and the maximum diameter restriction on wheel selection preference is given to the Double chain D 67 which has a smaller pitch, but nearly the same breaking load. Furthermore, this provides a sufficient number of teeth with the specified limitation of the chain wheel diameter.

Determining diagram power P_D

Factors, see page 33
No. of teeth of pinon, selected
Ratio
Shock factor, assumed
Ratio for centre distance
Lubrication, perfect

$z_1 = 17$	$f_1 = 1,12$
$i = 2$	$f_2 = 1,08$
$Y = 2$	$f_3 = 1,37$
$\frac{a}{p} = \frac{750}{9,525} = 78,7$	$f_4 = 0,87$
	$f_5 = 1$
	$f_6 = 1$

Drive with 2 chain wheels

$$f_G = f_1 \cdot f_2 \cdot f_3 \cdot f_4 \cdot f_5 \cdot f_6$$

$$= 1,12 \cdot 1,08 \cdot 1,37 \cdot 0,87 \cdot 1 \cdot 1$$

$$= 1,44$$

$$P_D = P \cdot f_G$$

$$= 0,96 \cdot 1,44$$

$$= 1,38 \text{ kW}$$

A new check using this calculated power shows that chain D 67 is not adequate. Therefore Triple chain Tr 67 is selected

b) Re-calculating selected chain
Roller chain Tr 67

Pitch	$p = 9,525 \text{ mm}$
Breaking load	$F_B = 29\,000 \text{ N}$
Bearing area	$f = 0,83 \text{ cm}^2$
Chain weight	$q = 1,18 \text{ kg/m}$

Chain wheel

Pitch circle diameter at $z_1 = 17$ $d = 51,84 \text{ mm}$

B

C

D

E

F

G

Checking top diameter d_A including chain

$$d_A = d + g$$

$$= 51,84 + 8,26 = 60,1 \text{ mm} - \text{this is smaller than } 70 \text{ mm}$$

g = height of link plate

1) Chain speed:

$$v = \frac{z \cdot n_1 \cdot p}{60000} = \frac{17 \cdot 200 \cdot 9,525}{60000} = 0,54 \frac{\text{m}}{\text{s}}$$

2) Chain pull:

$$F = \frac{1000 \cdot P}{v} = \frac{1000 \cdot 0,96}{0,54} = 1778 \text{ N}$$

3) Centrifugal force:

$$F_f = q \cdot v^2 = 1,18 \cdot 0,54^2 = 0,34 \text{ N}$$

4) Total pull:

$$F_G = F + F_f = 1778 \text{ N} - \text{Centrifugal force ignored}$$

5) Bearing pressure arithmetic:

$$p_r = \frac{F_G}{f} = \frac{1778}{0,83} = 2142,17 \frac{\text{N}}{\text{cm}^2}$$

6) Bearing pressure permissible:

$$p_{zul} = \frac{p_v \cdot \lambda}{f_5 \cdot f_6} = \frac{2764 \cdot 0,78}{1 \cdot 1} = 2156 \frac{\text{N}}{\text{cm}^2} \quad p_r \text{ smaller than } p_{zul}$$

The approx. value p_v and the friction travel λ are determined by interpolation from the tables on page 35

7) Static breaking load safety factor:

$$\gamma_{st} = \frac{F_B}{F_G} = \frac{29000}{1778} = 16,3$$

– higher than the recommended minimum value 7

8) Dynamic breaking load safety factor:

$$\gamma_d = \frac{F_B}{F_G \cdot Y} = \frac{29000}{1778 \cdot 2} = 8,16$$

– higher than the recommended minimum value 5

According to table on page 29, types of lubrication, manual lubrication is sufficient.

The exact chain length can be established in accordance with item 3, page 40.

A

3 Determining length of chain

3.1 Number of links and centre distance

Chain drive with 2 shafts

If the chain size has been determined, it is possible to calculate the number of links, the length of the chain and the exact centre distance.

Data required:

Pitch	p
No. of teeth, drive wheel	z_1
No. of teeth, driven wheel	z_2
Approx. centre distance in mm	a

B

1 Chain wheels with identical numbers of teeth $z_1 = z_2$

No. of links:
$$X = \frac{2a}{p} + z$$

Centre distance:
$$a = \frac{X - z}{2} \cdot p$$

C

2 Chain wheels with different numbers of teeth $z_1 \neq z_2$

No. of links:
$$X = 2 \frac{a}{p} + \frac{z_1 + z_2}{2} + \frac{A \cdot p}{a}$$

Compensating factor:
$$A = \left(\frac{z_2 - z_1}{2 \cdot \pi} \right)^2$$
 or from table on page 41

Centre distance:
$$a = [2X - (z_1 + z_2)] \cdot C \cdot p$$
 [mm]

C = Factor for centre distance from table on page 41

D

E

In most cases the approximate centre distance is given, for which very often an uneven number of links X is obtained. This figure is rounded up to the next even figure, or rounded down, as the case maybe, in order to avoid an uneven number of links. The centre distance is then again calculated with the corrected number of links.

The smallest centre distance for a chain drive consisting of two chain wheels shall always be higher than the arithmetic mean of the outside diameters of both wheels.

$$a > \frac{d_{a1} + d_{a2}}{2}$$

With a fixed centre distance and given chain wheel diameter the slack of the chain is compensated by means of a tensioner. See also page 58, drive arrangement.

F

G

Compensating factor A

$z_2 - z_1$	A	$z_2 - z_1$	A	$z_2 - z_1$	A	$z_2 - z_1$	A	$z_2 - z_1$	A
1	0,0253	21	11,171	41	42,580	61	94,254	81	166,191
2	0,1013	22	12,260	42	44,683	62	97,370	82	170,320
3	0,2280	23	13,400	43	46,836	63	100,536	83	174,450
4	0,4053	24	14,590	44	49,040	64	103,753	84	178,730
5	0,6333	25	15,831	45	51,294	65	107,021	85	183,011
6	0,912	26	17,123	46	53,599	66	110,339	86	187,342
7	1,241	27	18,466	47	55,955	67	113,708	87	191,724
8	1,621	28	19,859	48	58,361	68	117,128	88	196,157
9	2,052	29	21,303	49	60,818	69	120,598	89	200,640
10	2,533	30	22,797	50	63,326	70	124,119	90	205,174
11	3,065	31	24,342	51	65,884	71	127,690	91	209,759
12	3,648	32	25,938	52	68,493	72	131,313	92	214,395
13	4,281	33	27,585	53	71,153	73	134,986	93	219,081
14	4,965	34	29,282	54	73,863	74	138,709	94	223,817
15	5,699	35	31,030	55	76,624	75	142,483	95	228,605
16	6,485	36	32,828	56	79,436	76	146,308	96	233,443
17	7,320	37	34,677	57	82,298	77	150,184	97	238,322
18	8,207	38	36,577	58	85,211	78	154,110	98	243,271
19	9,144	39	38,527	59	88,175	79	158,087	99	248,261
20	10,132	40	40,529	60	91,189	80	162,115	100	253,302

A

iwis Chain wheels

B

Layout of **iwis** chain drives

C

General information **iwis** chain drives

Factor for centre distance C

$\frac{X - z_1}{z_2 - z_1}$	F	C	D	$\frac{X - z_1}{z_2 - z_1}$	F	C	D	$\frac{X - z_1}{z_2 - z_1}$	F	C	D
13		0,24 991		2,00		0,24 421		1,33		0,22 968	
12		990	1	1,95		380	41	1,32		912	56
11		988	2	1,90		333	47	1,31		854	58
10		986	2	1,85	20	281	52	1,30		793	61
9	1	983	3	1,80		222	59	1,29		729	64
8		978	5	1,75		156	66	1,28		662	67
7		970	8	1,70		081	75	1,27		593	69
6		958	12	1,68		048	33	1,26		520	73
5		937	21	1,66		013	35	1,25		443	77
4,8		931	6	1,64		0,23 977	36	1,24		361	82
4,6		925	6	1,62		938	39	1,23		275	86
4,4		917	8	1,60		897	41	1,22		185	90
4,2		907	10	1,58		854	43	1,22		185	95
4,0		896	11	1,56		807	47	1,21		090	100
3,8	5	883	13	1,54	50	758	49	1,20	100	0,21 990	106
3,6		868	15	1,52		705	53	1,19		884	113
3,4		849	19	1,50		648	57	1,18		771	119
3,2		825	24	1,48		588	60	1,17		652	126
3,0		795	30	1,46		524	64	1,16		526	136
2,9		778	17	1,44		455	69	1,15		390	145
2,8		758	20	1,42		381	74	1,14		245	155
2,7		735	23	1,40		301	80	1,13		090	167
2,6		708	27	1,39		259	42	1,12		0,20 923	179
2,5		678	30	1,38		215	44	1,11		744	195
2,4	10	643	35	1,37		170	45	1,10		549	213
2,3		602	41	1,36	100	123	47	1,09		336	232
2,2		552	50	1,35		073	50	1,08		104	256
2,1		493	59	1,34		022	51	1,07		0,19 848	284
2,0		421	72	1,33		0,22 968	54	1,06		564	

D

iwis Chains for industrial use

E

iwis Automotive chain drives

F

Conversion charts, **iwis** chain guideline

G

A

Examples for calculating z_1 not equal to z_2

Chain wheels

The following is given for a chain drive:

Approx. centre distance

$$a = 370 \text{ mm}$$

No. of teeth, drive wheel

$$z_1 = 19$$

No. of teeth, driven wheel

$$z_2 = 60$$

Pitch

$$p = 25,4 \text{ mm}$$

B

a) No. of links

$$X = 2 \frac{a}{p} + \frac{z_1 + z_2}{2} + \frac{A \cdot p}{a}$$

$$z_2 - z_1 = 41$$

from table on page 41 $A = 42,58$

$$X = 2 \cdot \frac{370}{25,4} + \frac{19 + 60}{2} + \frac{42,58 \cdot 25,4}{370}$$

$$X = 71,55$$

The Value $X = 71,55$ is rounded up to the even figure of $X = 72$.

The exact centre distance is then calculated with this value.

Layout of chain drives

C

General information chain drives

b) Centre distance $a = [2 X - (z_1 + z_2)] \cdot C \cdot p$

Establishing value C from table on page 41 and interpolation:

$$1. \frac{X - z_1}{z_2 - z_1} = \frac{72 - 19}{60 - 19} = 1,29268$$

$$2. \text{Nearest table figure} = 1,29$$

$$3. \text{Residual value } R = 1,29268 - 1,29 = 0,00268$$

$$4. \text{Interpolated value } I = D \cdot F \cdot R$$

from table: Difference $D = 64$

Factor $F = 100$

$$I = 64 \cdot 100 \cdot 0,00268 = 17$$

$$5. \text{Calculation of C: from table}$$

$C_{1,29}$	=	0,22729
+ I	=	17
C	=	0,22746

E

Automotive chain drives

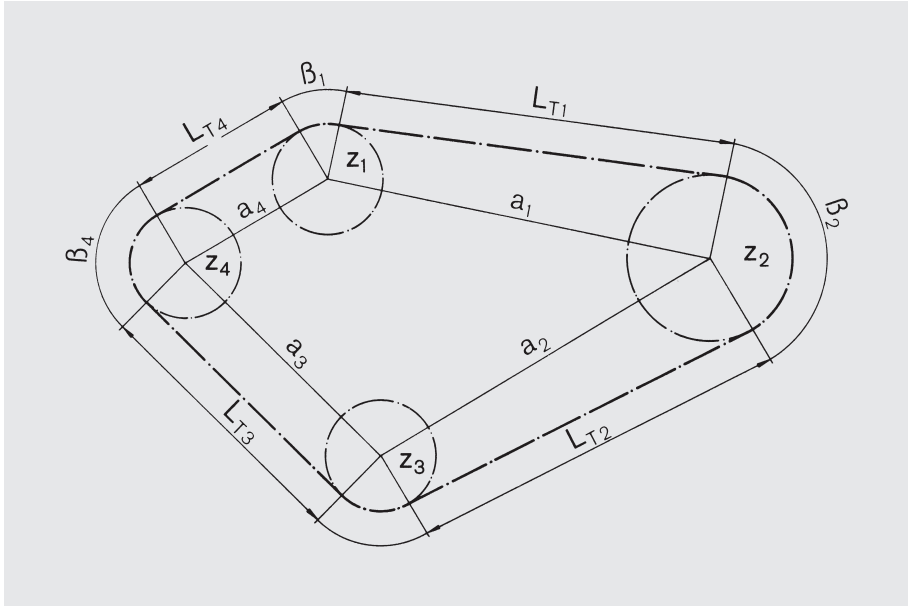
F

$$a = [2 \cdot 72 - (19 + 60)] \cdot 0,22746 \cdot 25,4 = 375,54 \text{ mm}$$

Conversion charts, iwis chain guideline

G

Chain drive with several shafts



The pitch circle diameter for the wheels is used as a basis for determining the number of links. The theoretical chain length X' is calculated by the addition of all L_{Ti} and β_i values.

$$X' = \frac{1}{p} \cdot \sum_i L_{Ti} + \sum \frac{\beta_i \cdot z_i}{360^\circ}$$

X' = calculated number of links
 p = chain pitch
 z = number of teeth

In the special case where all chain wheels have the same number of teeth and are situated within the chain, the simplified formulae applies for the calculation of the number of links.

$$X' = \frac{1}{p} \cdot \sum_i a_i + z$$

The number of links calculated is generally speaking not a full figure and must therefore be rounded up to the next highest even number.

Where it is possible to provide adjustment, this method is sufficiently accurate, otherwise the centre distances or number of teeth should be modified until the correct chain tension is achieved.

It is possible to produce equations for the calculation of the number of links for chain drives with more than two chain wheels. However, the mathematical calculation is complicated and graphical determination of the chain length is thus easier and in most cases it can be carried out with sufficient accuracy. The basic procedure is shown below.

A large scale should be chosen when the drive details are being drawn. This will minimize errors in chain length calculation.

A

3.2 Measuring chain length

Chain wheels

B

Layout of chain drives

C

General information chain drives

D

Chains for industrial use

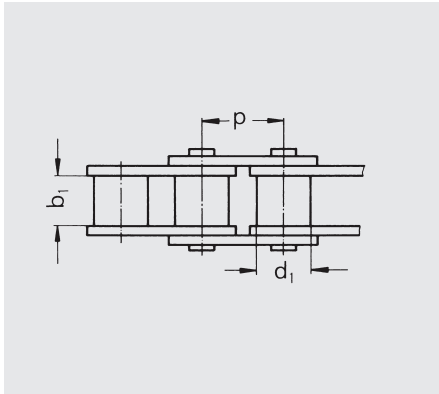
E

Automotive chain drives

F

Conversion charts, iwis chain guideline

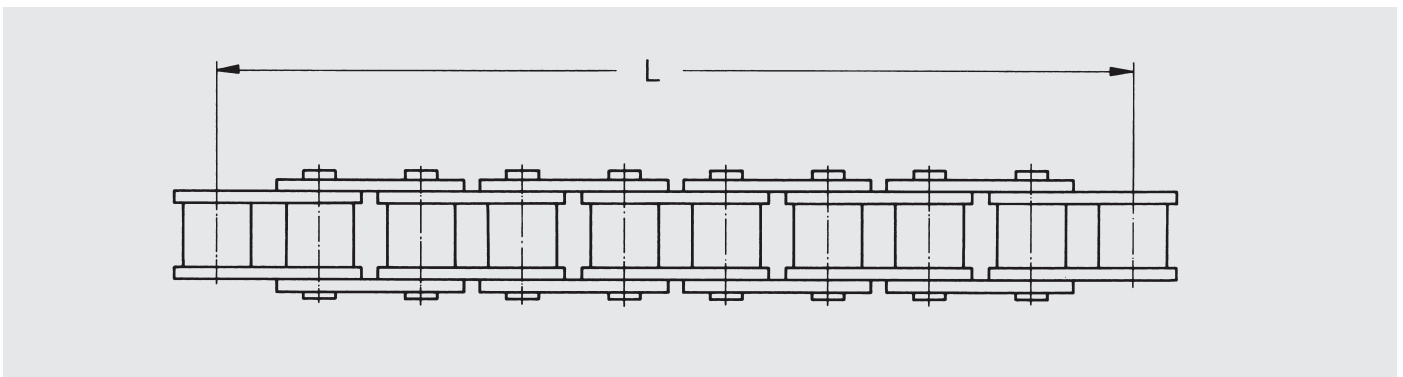
G



The size of the chain is determined by the pitch p , the inner width b_1 and the diameters of the rollers or bushes d_1 respectively. Multiplying pitch p with the number of links X gives the length L of the chain.

$$L = p \cdot X \quad [\text{mm}]$$

ESTABLISHING LENGTH AND TOLERANCE OF A CHAIN



In the case of **open** chains the stretched (actual) length is measured under load by applying the standard measuring load. The length established is then compared with the nominal lengths to DIN standards, which are listed in the following tables for many pitches and numbers of links.

In the case of **endless** chains a circumferential measurement using twice the measuring force is used.

Further note:

With a new chain the tedious counting of links can be left out, if the total chain length is established (in mm) and the relevant number of links for the pitch in questions is read off the tables on pages 45 – 50.

The standard length tolerance for **iwis** chains are better than those specified by normal standards. In addition it is possible to produce chains to closer tolerances still

The permissible tolerance in length may be + 0,15 % for roller and bush chains with a measuring length 49 x pitch. The measurement should be taken with the chain clean and free of lubrication and with the application of the measuring force. The tolerance for differing chain lengths of certain pitches can be calculated, using the following formula:

$$\begin{aligned} (+) \text{ tolerance} &= p \cdot X \cdot 0,0015 \text{ [mm]} \\ &\text{(DIN 8187/88/81, 8154)} \\ p &= \text{pitch} \\ X &= \text{number of links} \end{aligned}$$

The measuring forces specified for the pitch and type of construction can be taken from the following tables:



Lengths and tolerances

Roller chains with pitch p = 6 mm

iwis Designation	ISO 606	Measuring load in N
G 42	04	30

Roller chains with pitch p = 8 mm

iwis Designation	ISO 606	Measuring load in N
G 52	05B-1	50
D 52	05B-2	100
G 53 H	-	50

No. of links	Absolute length mm			No. of links	Absolute length mm			No. of links	Absolute length mm			No. of links	Absolute length mm			No. of links	Absolute length mm			No. of links	Absolute length mm			No. of links	Absolute length mm					
	mm	+ Tol. mm			mm	+ Tol. mm			mm	+ Tol. mm			mm	+ Tol. mm			mm	+ Tol. mm			mm	+ Tol. mm			mm	+ Tol. mm		mm	+ Tol. mm	
11	66	0,10		51	306	0,46		91	546	0,82		131	786	1,18		11	88	0,13		51	408	0,61		91	728	1,09		131	1048	1,57
12	72	0,11		52	312	0,47		92	552	0,83		132	792	1,19		12	96	0,14		52	416	0,62		92	736	1,10		132	1056	1,58
13	78	0,12		53	318	0,48		93	558	0,84		133	798	1,20		13	104	0,16		53	424	0,64		93	744	1,12		133	1064	1,60
14	84	0,13		54	324	0,49		94	564	0,85		134	804	1,21		14	112	0,17		54	432	0,65		94	752	1,13		134	1072	1,61
15	90	0,14		55	330	0,50		95	570	0,86		135	810	1,22		15	120	0,18		55	440	0,66		95	760	1,14		135	1080	1,62
16	96	0,14		56	336	0,50		96	576	0,86		136	816	1,22		16	128	0,19		56	448	0,67		96	768	1,15		136	1088	1,63
17	102	0,15		57	342	0,51		97	582	0,87		137	822	1,23		17	136	0,20		57	456	0,68		97	776	1,16		137	1096	1,64
18	108	0,16		58	348	0,52		98	588	0,88		138	828	1,24		18	144	0,22		58	464	0,70		98	784	1,18		138	1104	1,66
19	114	0,17		59	354	0,53		99	594	0,89		139	834	1,25		19	152	0,23		59	472	0,71		99	792	1,19		139	1112	1,67
20	120	0,18		60	360	0,54		100	600	0,90		140	840	1,26		20	160	0,24		60	480	0,72		100	800	1,20		140	1120	1,68
21	126	0,19		61	366	0,55		101	606	0,91		141	846	1,27		21	168	0,25		61	488	0,73		101	808	1,21		141	1128	1,69
22	132	0,20		62	372	0,56		102	612	0,92		142	852	1,28		22	176	0,26		62	496	0,74		102	816	1,22		142	1136	1,70
23	138	0,21		63	378	0,57		103	618	0,93		143	858	1,29		23	184	0,28		63	504	0,76		103	824	1,24		143	1144	1,72
24	144	0,22		64	384	0,58		104	624	0,94		144	864	1,30		24	192	0,29		64	512	0,77		104	832	1,25		144	1152	1,73
25	150	0,23		65	390	0,59		105	630	0,95		145	870	1,31		25	200	0,30		65	520	0,78		105	840	1,26		145	1160	1,74
26	156	0,23		66	396	0,59		106	636	0,95		146	876	1,31		26	208	0,31		66	528	0,79		106	88	1,27		146	1168	1,75
27	162	0,24		67	402	0,60		107	642	0,96		147	882	1,32		27	216	0,32		67	536	0,80		107	856	1,28		147	1176	1,76
28	168	0,25		68	408	0,61		108	648	0,97		148	888	1,33		28	224	0,34		68	544	0,82		108	864	1,30		148	1184	1,78
29	174	0,26		69	414	0,62		109	654	0,98		149	894	1,34		29	232	0,35		69	552	0,83		109	872	1,31		149	1192	1,79
30	180	0,27		70	420	0,63		110	660	0,99		150	900	1,35		30	240	0,36		70	560	0,84		110	880	1,32		150	1200	1,80
31	186	0,28		71	426	0,64		111	666	1,00		152	906	1,36		32	248	0,37		71	568	0,85		111	888	1,33		151	1208	1,81
32	192	0,29		72	432	0,65		112	672	1,01		152	912	1,37		32	256	0,38		72	576	0,86		112	896	1,34		152	1216	1,82
33	198	0,30		73	438	0,66		113	678	1,02		153	918	1,38		33	264	0,40		73	584	0,88		113	904	1,36		153	1224	1,84
34	204	0,31		74	444	0,67		114	684	1,03		154	924	1,39		34	272	0,41		74	592	0,89		114	912	1,37		154	1232	1,85
35	210	0,32		75	450	0,68		115	690	1,04		155	930	1,40		45	280	0,42		75	600	0,90		115	920	1,38		155	1240	1,86
36	216	0,32		76	456	0,68		116	696	1,04		156	936	1,40		36	288	0,43		76	608	0,91		116	928	1,39		156	1248	1,87
37	222	0,33		77	462	0,69		117	702	1,05		157	942	1,41		37	296	0,44		77	616	0,92		117	936	1,40		157	1256	1,88
38	228	0,34		78	468	0,70		118	708	1,06		158	948	1,42		38	304	0,46		78	624	0,94		118	944	1,42		158	1264	1,90
39	234	0,35		79	474	0,71		119	714	1,07		159	954	1,43		39	312	0,47		79	632	0,95		119	952	1,43		159	1272	1,91
40	240	0,36		80	480	0,72		120	720	1,08		160	960	1,44		40	320	0,48		80	640	0,96		120	960	1,44		160	1280	1,92
41	246	0,37		81	486	0,73		121	726	1,09		161	966	1,45		41	328	0,49		81	648	0,97		121	968	1,45		161	1288	1,93
42	252	0,38		82	492	0,74		122	732	1,10		162	972	1,46		42	336	0,50		82	656	0,98		122	976	1,46		162	1296	1,94
43	258	0,39		83	498	0,75		123	738	1,11		163	978	1,47		43	344	0,52		83	664	1,00		123	984	1,48		163	1304	1,96
44	264	0,40		84	504	0,76		124	744	1,12		164	984	1,48		44	352	0,53		84	672	1,01		124	992	1,49		164	1312	1,97
45	270	0,41		85	510	0,77		125	750	1,13		165	990	1,49		45	360	0,54		85	680	1,02		125	1000	1,50		165	1320	1,98
46	276	0,41		86	516	0,77		126	756	1,13		166	996	1,49		46	368	0,55		86	688	1,03		126	1008	1,51		166	1328	1,99
47	282	0,42		87	522	0,78		127	762	1,14		167	1002	1,50		47	376	0,56		87	696	1,04		127	1016	1,52		167	1336	2,00
48	288	0,43		88	528	0,79		128	768	1,15		168	1008	1,51		48	384	0,58		88	704	1,06		128	1024	1,54		168	1344	2,02
49	294	0,44		89	534	0,80		129	774	1,16		169	1014	1,52		49	392	0,59		89	712	1,07		129	1032	1,55		169	1342	2,03
50	300	0,45		90	540	0,81		130	780	1,17		170	1020	1,53		50	400	0,60		90	720	1,08		130	1040	1,56		170	1360	2,04

Permissible variation in length of unlubricated chain under measuring load: + 0,15 % with measured length 49 x the pitch of the chain in mm

A

Lengths and tolerances

B

Roller chains with pitch p = 9,525 mm (3/8")

iwis Designation	ISO 606	Measuring load in N
G 62 1/2	-	110
G 67	06B-1	70
G 68	-	90
D 67	06B-2	140
Tr 67	06B-3	210

Layout of chain drives

	No. of links			Absolute length mm			+ Tol. mm				No. of links			Absolute length mm			+ Tol. mm				No. of links			Absolute length mm			+ Tol. mm				No. of links			Absolute length mm			+ Tol. mm				No. of links			Absolute length mm			+ Tol. mm		
	No. of links	Absolute length mm	+ Tol. mm	No. of links	Absolute length mm	+ Tol. mm	No. of links	Absolute length mm	+ Tol. mm		No. of links	Absolute length mm	+ Tol. mm	No. of links	Absolute length mm	+ Tol. mm	No. of links	Absolute length mm	+ Tol. mm		No. of links	Absolute length mm	+ Tol. mm	No. of links	Absolute length mm	+ Tol. mm	No. of links	Absolute length mm	+ Tol. mm		No. of links	Absolute length mm	+ Tol. mm	No. of links	Absolute length mm	+ Tol. mm													
11	104,78	0,16	51	485,78	0,73	91	866,78	1,30	131	1247,78	1,87	11	104,78	0,16	51	485,78	0,73	91	866,78	1,30	131	1247,78	1,87	11	104,78	0,16	51	485,78	0,73	91	866,78	1,30	131	1247,78	1,87														
12	114,30	0,17	52	495,30	0,74	92	876,30	1,31	132	1257,30	1,89	12	114,30	0,17	52	495,30	0,74	92	876,30	1,31	132	1257,30	1,89	12	114,30	0,17	52	495,30	0,74	92	876,30	1,31	132	1257,30	1,89														
13	123,83	0,19	53	504,83	0,76	93	885,83	1,33	133	1266,83	1,90	13	123,83	0,19	53	504,83	0,76	93	885,83	1,33	133	1266,83	1,90	13	123,83	0,19	53	504,83	0,76	93	885,83	1,33	133	1266,83	1,90														
14	133,35	0,20	54	514,35	0,77	94	895,35	1,34	134	1276,35	1,91	14	133,35	0,20	54	514,35	0,77	94	895,35	1,34	134	1276,35	1,91	14	133,35	0,20	54	514,35	0,77	94	895,35	1,34	134	1276,35	1,91														
15	142,88	0,21	55	523,88	0,79	95	904,88	1,36	135	1285,88	1,93	15	142,88	0,21	55	523,88	0,79	95	904,88	1,36	135	1285,88	1,93	15	142,88	0,21	55	523,88	0,79	95	904,88	1,36	135	1285,88	1,93														
16	152,40	0,23	56	533,40	0,80	96	914,40	1,37	136	1295,40	1,94	16	152,40	0,23	56	533,40	0,80	96	914,40	1,37	136	1295,40	1,94	16	152,40	0,23	56	533,40	0,80	96	914,40	1,37	136	1295,40	1,94														
17	161,93	0,24	57	542,93	0,81	97	923,93	1,39	137	1304,93	1,96	17	161,93	0,24	57	542,93	0,81	97	923,93	1,39	137	1304,93	1,96	17	161,93	0,24	57	542,93	0,81	97	923,93	1,39	137	1304,93	1,96														
18	171,45	0,26	58	552,45	0,83	98	933,45	1,40	138	1314,45	1,97	18	171,45	0,26	58	552,45	0,83	98	933,45	1,40	138	1314,45	1,97	18	171,45	0,26	58	552,45	0,83	98	933,45	1,40	138	1314,45	1,97														
19	180,98	0,27	59	561,98	0,84	99	942,98	1,41	139	1323,98	1,99	19	180,98	0,27	59	561,98	0,84	99	942,98	1,41	139	1323,98	1,99	19	180,98	0,27	59	561,98	0,84	99	942,98	1,41	139	1323,98	1,99														
20	190,50	0,29	60	571,50	0,86	100	952,50	1,43	140	1333,50	2,00	20	190,50	0,29	60	571,50	0,86	100	952,50	1,43	140	1333,50	2,00	20	190,50	0,29	60	571,50	0,86	100	952,50	1,43	140	1333,50	2,00														
21	200,03	0,30	61	581,03	0,87	101	962,03	1,44	141	1343,03	2,01	21	200,03	0,30	61	581,03	0,87	101	962,03	1,44	141	1343,03	2,01	21	200,03	0,30	61	581,03	0,87	101	962,03	1,44	141	1343,03	2,01														
22	209,55	0,31	62	590,55	0,89	102	971,55	1,46	142	1352,55	2,03	22	209,55	0,31	62	590,55	0,89	102	971,55	1,46	142	1352,55	2,03	22	209,55	0,31	62	590,55	0,89	102	971,55	1,46	142	1352,55	2,03														
23	219,08	0,33	63	600,08	0,90	103	981,08	1,47	143	1362,08	2,04	23	219,08	0,33	63	600,08	0,90	103	981,08	1,47	143	1362,08	2,04	23	219,08	0,33	63	600,08	0,90	103	981,08	1,47	143	1362,08	2,04														
24	228,60	0,34	64	609,60	0,91	104	990,60	1,49	144	1371,60	2,06	24	228,60	0,34	64	609,60	0,91	104	990,60	1,49	144	1371,60	2,06	24	228,60	0,34	64	609,60	0,91	104	990,60	1,49	144	1371,60	2,06														
25	238,13	0,36	65	619,13	0,93	105	1000,13	1,50	145	1381,13	2,07	25	238,13	0,36	65	619,13	0,93	105	1000,13	1,50	145	1381,13	2,07	25	238,13	0,36	65	619,13	0,93	105	1000,13	1,50	145	1381,13	2,07														
26	247,65	0,37	66	628,65	0,94	106	1009,65	1,51	146	1390,65	2,09	26	247,65	0,37	66	628,65	0,94	106	1009,65	1,51	146	1390,65	2,09	26	247,65	0,37	66	628,65	0,94	106	1009,65	1,51	146	1390,65	2,09														
27	257,18	0,39	67	638,18	0,96	107	1019,18	1,53	147	1400,18	2,10	27	257,18	0,39	67	638,18	0,96	107	1019,18	1,53	147	1400,18	2,10	27	257,18	0,39	67	638,18	0,96	107	1019,18	1,53	147	1400,18	2,10														
28	266,70	0,40	68	647,70	0,97	108	1028,70	1,54	148	1409,70	2,11	28	266,70	0,40	68	647,70	0,97	108	1028,70	1,54	148	1409,70	2,11	28	266,70	0,40	68	647,70	0,97	108	1028,70	1,54	148	1409,70	2,11														
29	276,23	0,41	69	657,23	0,99	109	1038,23	1,56	149	1419,23	2,13	29	276,23	0,41	69	657,23	0,99	109	1038,23	1,56	149	1419,23	2,13	29	276,23	0,41	69	657,23	0,99	109	1038,23	1,56	149	1419,23	2,13														
30	285,75	0,43	70	666,75	1,00	110	1047,75	1,57	150	1428,75	2,14	30	285,75	0,43	70	666,75	1,00	110	1047,75	1,57	150	1428,75	2,14	30	285,75	0,43	70	666,75	1,00	110	1047,75	1,57	150	1428,75	2,14														
31	295,28	0,44	71	676,28	1,01	111	1057,28	1,59	151	1438,28	2,16	31	295,28	0,44	71	676,28	1,01	111	1057,28	1,59	151	1438,28	2,16	31	295,28	0,44	71	676,28	1,01	111	1057,28	1,59	151	1438,28	2,16														
32	304,80	0,46	72	685,80	1,03	112	1066,80	1,60	152	1447,80	2,17	32	304,80	0,46	72	685,80	1,03	112	1066,80	1,60	152	1447,80	2,17	32	304,80	0,46	72	685,80	1,03	112	1066,80	1,60	152	1447,80	2,17														
33	314,33	0,47	73	695,33	1,04	113	1076,33	1,61	153	1457,33	2,19	33	314,33	0,47	73	695,33	1,04	113	1076,33	1,61	153	1457,33	2,19	33	314,33	0,47	73	695,33	1,04	113	1076,33	1,61	153	1457,33	2,19														
34	323,85	0,49	74	704,85	1,06	114	1085,85	1,63	154	1466,85	2,20	34	323,85	0,49	74	704,85	1,06	114	1085,85	1,63	154	1466,85	2,20	34	323,85	0,49	74	704,85	1,06	114	1085,85	1,63	154	1466,85	2,20														
35	333,38	0,50	75	714,38	1,07	115	1095,38	1,64	155	1476,38	2,21	35	333,38	0,50	75	714,38	1,07	115	1095,38	1,64	155	1476,38	2,21	35	333,38	0,50	75	714,38	1,07	115	1095,38	1,64	155	1476,38	2,21														
36	342,90	0,51	76	723,90	1,09	116	1104,90	1,66	156	1485,90	2,23	36	342,90	0,51	76	723,90	1,09	116	1104,90	1,66	156	1485,90	2,23	36	342,90	0,51	76	723,90	1,09	116	1104,90	1,66	156	1485,90	2,23														
37	352,43	0,53	77	733,43	1,10	117	1114,43	1,67	157	1495,43	2,24	37	352,43	0,53	77	733,43	1,10	117	1114,43	1,67	157	1495,43	2,24	37	352,43	0,53	77	733,43	1,10	117	1114,43	1,67	157	1495,43	2,24														
38	361,95	0,54	78	742,95	1,11	118	1123,95	1,69	158	1504,95	2,26	38	361,95	0,54	78	742,95	1,11	118	1123,95	1,69	158	1504,95	2,26	38	361,95	0,54	78	742,95	1,11	118	1123,95	1,69	158	1504,95	2,26														
39	371,48	0,56	79	752,48	1,13	119	1133,48	1,70	159	1514,48	2,27	39	371,48	0,56	79	752,48	1,13	119	1133,48	1,70	159	1514,48	2,27	39	371,48	0,56	79	752,48	1,13	119	1133,48	1,70	159	1514,48	2,27														
40	381,00	0,57	80	762,00	1,14	120	1143,00	1,71	160	1524,00	2,29	40	381,00	0,57	80	762,00	1,14	120	1143,00	1,71	160	1524,00	2,29	40	381,00	0,57	80	762,00	1,14	120	1143,00	1,71	160	1524,00	2,29														
41	390,53	0,59	81	771,53	1,16	121	1152,53	1,73	161	1533,53	2,30	41	390,53	0,59	81	771,53	1,16	121	1152,53	1,73	161	1533,53	2,30	41	390,53	0,59	81	771,53	1,16	121	1152,53	1,73	161	1533,53	2,30														
42	400,05	0,60	82	781,05	1,17	122	1162,05	1,74	162	1543,05	2,31	42	400,05	0,60	82	781,05	1,17	122	1162,05	1,74	162	1543,05	2,31	42	400,05	0,60	82	781,05	1,17	122	1162,05	1,74	162	1543,05	2,31														
43	409,58	0,61	83	790,58	1,19	123	1171,58	1,76	163	1552,58	2,33	43	409,58	0,61	83	790,58	1,19	123	1171,58	1,76	163	1552,58	2,33	43	409,58	0,61	83																						



Lengths and tolerances

Roller chains with pitch p = 12,7 mm (1/2")

iwis Designation	ISO 606	Measuring load in N
P 83 V	-	155
S 84	-	180
L 85	08B-1	120
D 85	08B-2	250
Tr 85	08B-3	370

iwis Designation	ISO 606	Measuring load in N
L 85 A	08A-1	120
D 85 A	08A-2	250
Tr 85 A	08A-3	370

Roller chains with pitch p = 15,875 mm (5/8")

iwis Designation	ISO 606	Measuring load in N
M 106	10B-1	200
D 106	10B-2	390
Tr 106	10B-3	590

iwis Designation	ISO 606	Measuring load in N
M 106 A	10A-1	200
D 106 A	10A-2	390
Tr 106 A	10A-3	590

No. of links	Absolute length mm	+Tol. mm	No. of links	Absolute length mm	+Tol. mm	No. of links	Absolute length mm	+Tol. mm	No. of links	Absolute length mm	+Tol. mm	No. of links	Absolute length mm	+Tol. mm	No. of links	Absolute length mm	+Tol. mm	No. of links	Absolute length mm	+Tol. mm	No. of links	Absolute length mm	+Tol. mm	No. of links	Absolute length mm	+Tol. mm	No. of links	Absolute length mm	+Tol. mm
11	139,7	0,21	51	647,7	0,97	91	1155,7	1,73	131	1663,7	2,50	11	174,63	0,26	51	809,63	1,21	91	1444,63	2,17	131	2079,63	3,12						
12	152,4	0,23	52	660,4	0,99	92	1168,4	1,75	132	1676,4	2,52	12	190,50	0,29	52	825,50	1,24	92	1460,50	2,19	132	2095,50	3,14						
13	165,1	0,25	53	673,1	1,01	93	1181,1	1,77	133	1689,1	2,53	13	206,38	0,31	53	841,38	1,26	93	1476,38	2,21	133	2111,38	3,17						
14	177,8	0,27	54	685,8	1,03	94	1193,8	1,79	134	1701,8	2,55	14	222,25	0,33	54	857,25	1,29	94	1492,25	2,24	134	2127,25	3,19						
15	190,5	0,29	55	698,5	1,05	95	1206,5	1,81	135	1714,5	2,57	15	238,13	0,36	55	873,13	1,31	95	1508,13	2,26	135	2143,13	3,21						
16	203,2	0,30	56	711,2	1,07	96	1219,2	1,83	136	1727,2	2,59	16	254,00	0,38	56	889,00	1,33	96	1524,00	2,29	136	2159,00	3,24						
17	215,9	0,32	57	723,9	1,09	97	1231,9	1,85	137	1739,9	2,61	17	269,88	0,40	57	904,88	1,36	97	1539,88	2,31	137	2174,88	3,26						
18	228,6	0,34	58	736,6	1,10	98	1244,6	1,87	138	1752,6	2,63	18	285,75	0,43	58	920,75	1,38	98	1555,75	2,33	138	2190,75	3,29						
19	241,3	0,36	59	749,3	1,12	99	1257,3	1,89	139	1765,3	2,65	19	301,63	0,45	59	936,63	1,40	99	1571,63	2,36	139	2206,63	3,31						
20	254,0	0,38	60	762,0	1,14	100	1270,0	1,91	140	1778,0	2,67	20	317,50	0,48	60	952,50	1,43	100	1587,50	2,38	140	2222,50	3,33						
21	266,7	0,40	61	774,7	1,16	101	1282,7	1,92	141	1790,7	2,69	21	333,38	0,50	61	968,38	1,45	101	1603,38	2,41	141	2238,38	3,36						
22	279,4	0,42	62	787,4	1,18	102	1295,4	1,94	142	1803,4	2,71	22	349,25	0,52	62	984,25	1,48	102	1619,25	2,43	142	2254,25	3,38						
23	292,1	0,44	63	800,1	1,20	103	1308,1	1,96	143	1816,1	2,72	23	365,13	0,55	63	1000,13	1,50	103	1635,13	2,45	143	2270,13	3,41						
24	304,8	0,46	64	812,8	1,22	104	1320,8	1,98	144	1828,8	2,74	24	381,00	0,57	64	1016,00	1,52	104	1651,00	2,48	144	2286,00	3,43						
25	317,5	0,48	65	825,5	1,24	105	1333,5	2,00	145	1841,5	2,76	25	396,88	0,60	65	1031,88	1,55	105	1666,88	2,50	145	2301,88	3,45						
26	330,2	0,50	66	838,2	1,26	106	1346,2	2,02	146	1854,2	2,78	26	412,75	0,62	66	1047,75	1,57	106	1682,75	2,52	146	2317,75	3,48						
27	342,9	0,51	67	850,9	1,28	107	1358,9	2,04	147	1866,9	2,80	27	428,63	0,64	67	1063,63	1,60	107	1698,63	2,55	147	2333,63	3,50						
28	355,6	0,53	68	863,6	1,30	108	1371,6	2,06	148	1879,6	2,82	28	444,50	0,67	68	1079,50	1,62	108	1714,50	2,57	148	2349,50	3,52						
29	368,3	0,55	69	876,3	1,31	109	1384,3	2,08	149	1892,3	2,84	29	460,38	0,69	69	1095,38	1,64	109	1730,38	2,60	149	2365,38	3,55						
30	381,0	0,57	70	889,0	1,33	110	1397,0	2,10	150	1905,0	2,86	30	476,25	0,71	70	1111,25	1,67	110	1746,25	2,62	150	2381,25	3,57						
31	393,7	0,59	71	901,7	1,35	111	1409,7	2,12	151	1917,7	2,88	31	492,13	0,74	71	1127,13	1,69	111	1762,13	2,64	151	2397,13	3,60						
32	406,4	0,61	72	914,4	1,37	112	1422,4	2,13	152	1930,4	2,90	32	508,00	0,76	72	1143,00	1,71	112	1778,00	2,67	152	2413,00	3,62						
33	419,1	0,63	73	927,1	1,39	113	1435,1	2,15	153	1943,1	2,91	33	523,88	0,79	73	1158,88	1,74	113	1793,88	2,69	153	2428,88	3,64						
34	431,8	0,65	74	939,8	1,41	114	1447,8	2,17	154	1955,8	2,93	34	539,75	0,81	74	1174,75	1,76	114	1809,75	2,71	154	2444,75	3,67						
35	444,5	0,67	75	952,5	1,43	115	1460,5	2,19	155	1968,5	2,95	35	555,63	0,83	75	1190,63	1,79	115	1825,63	2,74	155	2460,63	3,69						
36	457,2	0,69	76	965,2	1,45	116	1473,2	2,21	156	1981,2	2,97	36	571,50	0,86	76	1206,50	1,81	116	1841,50	2,76	156	2476,50	3,71						
37	469,9	0,70	77	977,9	1,47	117	1485,9	2,23	157	1993,9	2,99	37	587,38	0,88	77	1222,38	1,83	117	1857,38	2,79	157	2492,38	3,74						
38	482,6	0,72	78	990,6	1,49	118	1498,6	2,25	158	2006,6	3,01	38	603,25	0,90	78	1238,25	1,86	118	1873,25	2,81	158	2508,25	3,76						
39	495,3	0,74	79	1003,3	1,50	119	1511,3	2,27	159	2019,3	3,03	39	619,13	0,93	79	1254,13	1,88	119	1889,13	2,83	159	2524,13	3,79						
40	508,0	0,76	80	1016,0	1,52	120	1524,0	2,29	160	2032,0	3,05	40	635,00	0,95	80	1270,00	1,91	120	1905,00	2,86	160	2540,00	3,81						
41	520,7	0,78	81	1028,7	1,54	121	1536,7	2,31	161	2044,7	3,07	41	650,88	0,98	81	1285,88	1,93	121	1920,88	2,88	161	2555,88	3,83						
42	533,4	0,80	82	1041,4	1,56	122	1549,4	2,32	162	2057,4	3,09	42	666,75	1,00	82	1301,75	1,95	122	1936,75	2,91	162	2571,75	3,86						
43	546,1	0,82	83	1054,1	1,58	123	1562,1	2,34	163	2070,1	3,11	43	682,63	1,02	83	1317,63	1,98	123	1952,63	2,93	163	2587,63	3,88						
44	558,8	0,84	84	1066,8	1,60	124	1574,8	2,36	164	2082,8	3,12	44	698,50	1,05	84	1333,50	2,00	124	1968,50	2,95	164	2603,50	3,91						
45	571,5	0,86	85	1079,5	1,62	125	1587,5	2,38	165	2095,5	3,14	45	714,38	1,07	85	1349,38	2,02	125	1984,38	2,98	165	2619,38	3,93						
46	584,2	0,88	86	1092,2	1,64	126	1600,2	2,40	166	2108,2	3,16	46	730,25	1,10	86	1365,25	2,05	126	2000,25	3,00	166	2635,25	3,95						
47	596,9	0,90	87	1104,9	1,66	127	1612,9	2,42	167	2120,9	3,18	47	746,13	1,12	87	1381,13	2,07	127	2016,13	3,02	167	2651,13	3,98						
48	609,6	0,91	88	1117,6	1,68	128	1625,6	2,44	168	2133,6	3,20	48	762,00	1,14	88	1397,00	2,10	128	2032,00	3,05	168	2667,00	4,00						
49	622,3	0,93	89	1130,3	1,70	129	1638,3	2,46	169	2146,3	3,22	49	777,88	1,17	89	1412,88	2,12	129	2047,88	3,07	169	2682,88	4,02						
50	635,0	0,95	90	1143,0	1,71	130	1651,0	2,48	170	2159,0	3,24	50	793,75	1,19	90	1428,75	2,14	130	2063,75	3,11	170	2698,75	4,05						

Permissible variation in length of unlubricated chain under measuring load: + 0,15 % with measured length 49 x the pitch of the chain in mm

A

Lengths and tolerances

Roller chains with pitch p = 19,5 mm (¾")

iwis Designation	ISO 606	Measuring load in N
M 127	12B-1	280
D 127	12B-2	560
Tr 127	12B-3	840

iwis Designation	ISO 606	Measuring load in N
M 128 A	12A-1	280
D 128 A	12A-2	560
Tr 128 A	12A-3	840

Roller chains with pitch p = 25,4 mm (1")

iwis Designation	ISO 606	Measuring load in N
M 1611	16B-1	500
D 1611	16B-2	1000
Tr 1611	16B-3	1490

iwis Designation	ISO 606	Measuring load in N
M 1610 A	16A-1	500
D 1610 A	16A-2	1000
Tr 1610 A	16A-3	1490

iwis Designation	DIN 8187	Measuring load in N
LR 165	208B	180

No. of links	Absolute length mm	+Tol. mm	No. of links	Absolute length mm	+Tol. mm	No. of links	Absolute length mm	+Tol. mm	No. of links	Absolute length mm	+Tol. mm	No. of links	Absolute length mm	+Tol. mm	No. of links	Absolute length mm	+Tol. mm	No. of links	Absolute length mm	+Tol. mm			
11	209,55	0,31	51	971,55	1,46	91	1733,55	2,60	131	2495,55	3,74	11	279,4	0,42	51	1295,4	1,94	91	2311,4	3,47	131	3327,4	4,99
12	228,60	0,34	52	990,60	1,49	92	1752,60	2,63	132	2514,60	3,77	12	304,8	0,46	52	1320,8	1,98	92	2336,8	3,51	132	3352,8	5,03
13	247,65	0,37	53	1009,65	1,51	93	1771,65	2,66	133	2533,65	3,80	13	330,2	0,50	53	1346,2	2,02	93	2362,2	3,54	133	3378,2	5,07
14	266,70	0,40	54	1028,70	1,54	94	1790,70	2,69	134	2552,70	3,83	14	355,6	0,53	54	1371,6	2,06	94	2387,6	3,58	134	3403,6	5,11
15	285,75	0,43	55	1047,75	1,57	95	1809,75	2,71	135	2571,75	3,86	15	381,0	0,57	55	1397,0	2,10	95	2413,0	3,62	135	3429,0	5,14
16	304,80	0,46	56	1066,80	1,60	96	1828,80	2,74	136	2590,80	3,89	16	406,4	0,61	56	1422,4	2,13	96	2438,4	3,66	136	3454,4	5,18
17	323,85	0,49	57	1085,85	1,63	97	1847,85	2,77	137	2609,85	3,91	17	431,8	0,65	57	1447,8	2,17	97	2463,8	3,70	137	3479,8	5,22
18	342,90	0,51	58	1104,90	1,66	98	1866,90	2,80	138	2628,90	3,94	18	457,2	0,69	58	1473,2	2,21	98	2489,2	3,73	138	3505,2	5,26
19	361,95	0,54	59	1123,95	1,69	99	1885,95	2,83	139	2647,95	3,97	19	482,6	0,72	59	1498,6	2,25	99	2514,6	3,77	139	3530,6	5,30
20	381,00	0,57	60	1143,00	1,71	100	1905,00	2,86	140	2667,00	4,00	20	508,0	0,76	60	1524,0	2,29	100	2540,0	3,81	140	3558,0	5,33
21	400,05	0,60	61	1162,05	1,74	101	1924,05	2,89	141	2686,05	4,03	21	533,4	0,80	61	1549,4	2,36	101	2565,4	3,85	141	3581,4	5,37
22	419,10	0,63	62	1181,10	1,77	102	1943,10	2,91	142	2705,10	4,06	22	558,8	0,84	62	1574,8	2,36	102	2590,8	3,89	142	3606,8	5,41
23	438,15	0,66	63	1200,15	1,80	103	1962,15	2,94	143	2724,15	4,09	23	584,2	0,88	63	1600,2	2,40	103	2616,2	3,92	143	3632,2	5,45
24	457,20	0,69	64	1219,20	1,83	104	1981,20	2,97	144	2743,20	4,11	24	609,6	0,91	64	1625,6	2,44	104	2641,6	3,96	144	3657,6	5,49
25	476,25	0,71	65	1238,25	1,86	105	2000,25	3,00	145	2762,25	4,14	25	635,0	0,95	65	1651,0	2,48	105	2667,0	4,00	145	3683,0	5,52
26	495,30	0,74	66	1257,30	1,89	106	2019,30	3,03	146	2781,30	4,17	26	660,4	0,99	66	1676,4	2,51	106	2692,4	4,04	146	3708,4	5,56
27	514,35	0,77	67	1276,35	1,91	107	2038,35	3,06	147	2800,35	4,20	27	685,8	1,03	67	1701,8	2,55	107	2717,8	4,08	147	3733,8	5,60
28	533,40	0,80	68	1295,40	1,94	108	2057,40	3,09	148	2819,40	4,23	28	711,2	1,07	68	1727,2	2,59	108	2743,2	4,11	148	3759,2	5,64
29	552,45	0,83	69	1314,45	1,97	109	2076,45	3,11	149	2838,45	4,26	29	736,6	1,10	69	1752,6	2,63	109	2768,6	4,15	149	3784,6	5,68
30	571,50	0,86	70	1333,50	2,00	110	2095,50	3,14	150	2857,50	4,29	30	762,0	1,14	70	1778,0	2,67	110	2794,0	4,19	150	3810,0	5,72
31	590,55	0,89	71	1352,55	2,03	111	2114,55	3,17	151	2876,55	4,32	31	787,4	1,18	71	1803,4	2,70	111	2819,4	4,23	151	3835,4	5,75
32	609,60	0,91	72	1371,60	2,06	112	2133,60	3,20	152	2895,60	4,34	32	812,8	1,22	72	1828,8	2,74	112	2844,8	4,27	152	3860,8	5,79
33	628,65	0,94	73	1390,65	2,09	113	2152,65	3,23	153	2914,65	4,37	33	838,2	1,26	73	1854,2	2,78	113	2870,2	4,31	153	3886,2	5,83
34	647,70	0,97	74	1409,70	2,11	114	2171,70	3,26	154	2933,70	4,40	34	863,6	1,30	74	1879,6	2,82	114	2895,6	4,34	154	3911,6	5,87
35	666,75	1,00	75	1428,75	2,14	115	2190,75	3,29	155	2952,75	4,43	35	889,0	1,33	75	1905,0	2,86	115	2921,0	4,38	155	3937,0	5,91
36	685,80	1,03	76	1447,80	2,17	116	2209,80	3,31	156	2971,80	4,46	36	914,4	1,37	76	1930,4	2,90	116	2946,4	4,42	156	3962,4	5,94
37	704,85	1,06	77	1466,85	2,20	117	2228,85	3,34	157	2990,85	4,49	37	939,8	1,41	77	1955,8	2,93	117	2971,8	4,46	157	3987,8	5,98
38	723,90	1,09	78	1485,90	2,23	118	2247,90	3,37	158	3009,90	4,51	38	965,2	1,45	78	1981,2	2,97	118	2997,2	4,50	158	4013,2	6,02
39	742,95	1,11	79	1504,95	2,26	119	2266,95	3,40	159	3028,95	4,54	39	990,6	1,49	79	2006,6	3,01	119	3022,6	4,53	159	4038,6	6,06
40	762,00	1,14	80	1524,00	2,29	120	2286,00	3,43	160	3048,00	4,57	40	1016,0	1,52	80	2032,0	3,05	120	3048,0	4,57	160	4064,0	6,10
41	781,05	1,17	81	1543,05	2,31	121	2305,05	3,46	161	3067,05	4,60	41	1041,4	1,56	81	2057,4	3,09	121	3073,4	4,61	161	4089,4	6,13
42	800,10	1,20	82	1562,10	2,34	122	2324,10	3,49	162	3086,10	4,63	42	1066,8	1,60	82	2082,8	3,12	122	3098,8	4,65	162	4114,8	6,17
43	819,15	1,23	83	1581,15	2,37	123	2343,15	3,51	163	3105,15	4,66	43	1092,2	1,64	83	2108,2	3,16	123	3124,2	4,69	163	4140,2	6,21
44	838,20	1,26	84	1600,20	2,40	124	2362,20	3,54	164	3124,20	4,69	44	1117,6	1,68	84	2133,6	3,20	124	3149,6	4,72	164	4165,6	6,25
45	857,25	1,29	85	1619,25	2,43	125	2381,25	3,57	165	3143,25	4,71	45	1143,0	1,71	85	2159,0	3,24	125	3175,0	4,76	165	4191,0	6,29
46	876,30	1,31	86	1638,30	2,46	126	2400,30	3,60	166	3162,30	4,74	46	1168,4	1,75	86	2184,4	3,28	126	3200,4	4,80	166	4216,4	6,32
47	895,35	1,34	87	1657,35	2,49	127	2419,35	3,63	167	3181,35	4,77	47	1193,8	1,79	87	2209,8	3,31	127	3225,8	4,84	167	4241,8	6,36
48	914,40	1,37	88	1676,40	2,51	128	2438,40	3,66	168	3200,40	4,80	48	1219,2	1,83	88	2235,2	3,35	128	3251,2	4,88	168	4267,2	6,40
49	933,45	1,40	89	1695,45	2,54	129	2457,45	3,69	169	3219,45	4,83	49	1244,6	1,87	89	2260,6	3,39	129	3276,6	4,92	169	4292,6	6,44
50	952,50	1,43	90	1714,50	2,57	130	2476,50	3,72	170	3238,50	4,86	50	1270,0	1,91	90	2286,0	3,43	130	3302,0	4,95	170	4318,0	6,48

Permissible variation in length of unlubricated chain under measuring load: + 0,15 % with measured length 49 x the pitch of the chain in mm

G



Lengths and tolerances

Roller chains with pitch p = 31,75 mm (1 ¼")

iwis Designation	ISO 606	Measuring load in N
M 2012	20B-1	780
D 2012	20B-2	1560
Tr 2012	20B-3	2340

iwis Designation	DIN 8187	Measuring load in N
LR 206	210B1	224

Roller chains with pitch p = 25,4 mm (1")

iwis Designation	ISO 606	Measuring load in N
M 2416	24B-1	1110
D 2416	24B-2	2220
Tr 2416	24B-3	3340

iwis Designation	DIN 8187	Measuring load in N
LR 247	212B	290

No. of links	Absolute length mm	+Tol. mm	No. of links	Absolute length mm	+Tol. mm	No. of links	Absolute length mm	+Tol. mm	No. of links	Absolute length mm	+Tol. mm	No. of links	Absolute length mm	+Tol. mm	No. of links	Absolute length mm	+Tol. mm	No. of links	Absolute length mm	+Tol. mm			
11	349,25	0,52	51	1619,25	2,43	91	2889,25	4,33	131	4159,25	6,24	11	419,1	0,63	51	1943,1	2,91	91	3467,1	5,20	131	4991,1	7,49
12	381,00	0,57	52	1651,00	2,48	92	2921,00	4,38	132	4191,00	6,29	12	457,2	0,69	52	1981,2	2,97	92	3505,2	5,26	132	5029,2	7,54
13	412,75	0,62	53	1682,75	2,52	93	2952,75	4,43	133	4222,75	6,33	13	495,3	0,74	53	2019,3	3,03	93	3543,3	5,31	133	5067,3	7,60
14	444,50	0,67	54	1714,50	2,57	94	2984,50	4,48	134	4254,50	6,38	14	533,4	0,80	54	2057,4	3,09	94	3581,4	5,37	134	5105,4	7,66
15	476,25	0,71	55	1746,25	2,62	95	3016,25	4,52	135	4286,25	6,43	15	571,5	0,86	55	2095,5	3,14	95	3619,5	5,43	135	5143,5	7,72
16	508,00	0,76	56	1778,00	2,67	96	3048,00	4,57	136	4318,00	6,48	16	609,6	0,91	56	2133,6	3,20	96	3657,6	5,49	136	5181,6	7,77
17	539,75	0,81	57	1809,75	2,71	97	3079,75	4,62	137	4349,75	6,52	17	647,7	0,97	57	2171,7	3,26	97	3695,7	5,54	137	5219,7	7,83
18	571,50	0,86	58	1841,50	2,76	98	3111,50	4,67	138	4381,50	6,57	18	685,8	1,03	58	2209,8	3,32	98	3733,8	5,60	138	5257,8	7,89
19	603,25	0,90	59	1873,25	2,81	99	3143,25	4,71	139	4413,25	6,62	19	723,9	1,10	59	2247,9	3,37	99	3771,9	5,66	139	5295,9	7,94
20	635,00	0,95	60	1905,00	2,86	100	3175,00	4,76	140	4445,00	6,67	20	762,0	1,14	60	2286,0	3,43	100	3810,0	5,72	140	5334,0	8,00
21	666,75	1,00	61	1936,75	2,91	101	3206,75	4,81	141	4476,75	6,72	21	800,1	1,22	61	2324,1	3,49	101	3848,1	5,77	141	5372,1	8,06
22	698,50	1,05	62	1968,50	2,95	102	3238,50	4,86	142	4508,50	6,76	22	838,2	1,26	62	2362,2	3,54	102	3886,2	5,83	142	5410,2	8,12
23	730,25	1,10	63	2000,25	3,00	103	3270,25	4,91	143	4540,25	6,81	23	876,3	1,31	63	2400,3	3,60	103	3924,3	5,89	143	5448,3	8,17
24	762,00	1,14	64	2032,00	3,05	104	3302,00	4,95	144	4572,00	6,86	24	914,4	1,37	64	2438,4	3,66	104	3962,4	5,94	144	5486,4	8,23
25	793,75	1,19	65	2063,75	3,10	105	3333,75	5,00	145	4603,75	6,91	25	952,5	1,43	65	2476,5	3,72	105	4000,5	6,00	145	5524,5	8,29
26	825,50	1,24	66	2095,50	3,14	106	3365,50	5,05	146	4635,50	6,95	26	990,6	1,49	66	2514,6	3,77	106	4038,6	6,06	146	5562,6	8,34
27	857,25	1,29	67	2127,25	3,19	107	3397,25	5,10	147	4667,25	7,00	27	1028,7	1,54	67	2552,7	3,83	107	4076,7	6,12	147	5600,7	8,40
28	889,00	1,33	68	2159,00	3,24	108	3429,00	5,14	148	4699,00	7,05	28	1066,8	1,60	68	2590,8	3,89	108	4114,8	6,17	148	5638,8	8,46
29	920,75	1,38	69	2190,75	3,29	109	3460,75	5,19	149	4730,75	7,10	29	1104,9	1,66	69	2628,9	3,94	109	4152,9	6,23	149	5676,9	8,52
30	952,50	1,43	70	2222,50	3,33	110	3492,50	5,24	150	4762,50	7,14	30	1143,0	1,71	70	2667,0	4,00	110	4191,0	6,29	150	5715,0	8,57
31	984,25	1,48	71	2254,25	3,38	111	3524,25	5,29	151	4794,25	7,19	31	1181,1	1,77	71	2705,1	4,06	111	4229,1	6,34	151	5753,1	8,63
32	1016,00	1,52	72	2286,00	3,43	112	3556,00	5,33	152	4826,00	7,24	32	1219,2	1,83	72	2743,2	4,11	112	4267,2	6,40	152	5791,2	8,69
33	1047,75	1,57	73	2317,75	3,48	113	3587,75	5,38	153	4857,75	7,29	33	1257,3	1,89	73	2781,3	4,17	113	4305,3	6,46	153	5829,3	8,74
34	1079,50	1,62	74	2349,50	3,52	114	3619,50	5,43	154	4889,50	7,33	34	1295,4	1,94	74	2819,4	4,23	114	4343,4	6,51	154	5867,4	8,80
35	1111,25	1,67	75	2381,25	3,57	115	3651,25	5,48	155	4921,25	7,38	35	1333,5	2,00	75	2857,5	4,29	115	4381,5	6,57	155	5905,5	8,86
36	1143,00	1,71	76	2413,00	3,62	116	3683,00	5,52	156	4953,00	7,43	36	1371,6	2,06	76	2895,6	4,34	116	4419,6	6,63	156	5943,6	8,92
37	1174,75	1,76	77	2444,75	3,67	117	3714,75	5,57	157	4984,75	7,48	37	1409,7	2,11	77	2933,7	4,40	117	4457,7	6,69	157	5981,7	8,97
38	1206,50	1,81	78	2476,50	3,71	118	3746,50	5,62	158	5016,50	7,53	38	1447,8	2,17	78	2971,8	4,46	118	4495,8	6,74	158	6019,8	9,03
39	1238,25	1,86	79	2508,25	3,76	119	3778,25	5,67	159	5048,25	7,57	39	1485,9	2,23	79	3009,9	4,51	119	4533,9	6,80	159	6057,9	9,09
40	1270,00	1,90	80	2540,00	3,81	120	3810,00	5,72	160	5080,00	7,62	40	1524,0	2,29	80	3048,0	4,57	120	4572,0	6,86	160	6096,0	9,14
41	1301,75	1,95	81	2571,75	3,86	121	3841,75	5,76	161	5111,75	7,67	41	1562,1	2,34	81	3086,1	4,63	121	4610,1	6,92	161	6134,1	9,20
42	1333,50	2,00	82	2603,50	3,91	122	3873,50	5,81	162	5143,50	7,72	42	1600,2	2,40	82	3124,2	4,69	122	4648,2	6,97	162	6172,2	9,26
43	1365,25	2,05	83	2635,25	3,95	123	3905,25	5,86	163	5175,25	7,76	43	1638,3	2,46	83	3162,3	4,74	123	4686,3	7,03	163	6210,3	9,32
44	1397,00	2,10	84	2667,00	4,00	124	3937,00	5,91	164	5207,00	7,81	44	1676,4	2,51	84	3200,4	4,80	124	4724,4	7,09	164	6248,4	9,37
45	1428,75	2,14	85	2698,75	4,05	125	3968,75	5,95	165	5238,75	7,86	45	1714,5	2,57	85	3238,5	4,86	125	4762,5	7,14	165	6286,5	9,43
46	1460,50	2,19	86	2730,50	4,10	126	4000,50	6,00	166	5270,50	7,91	46	1752,6	2,63	86	3276,6	4,92	126	4800,6	7,20	166	6324,6	9,49
47	1492,25	2,24	87	2762,25	4,14	127	4032,25	6,05	167	5302,25	7,95	47	1790,7	2,69	87	3314,7	4,97	127	4838,7	7,26	167	6362,7	9,54
48	1524,00	2,29	88	2794,00	4,19	128	4064,00	6,10	168	5334,00	8,00	48	1828,8	2,74	88	3352,8	5,03	128	4876,8	7,32	168	6400,8	9,60
49	1555,75	2,33	89	2825,75	4,24	129	4095,75	6,14	169	5365,75	8,05	49	1866,9	2,80	89	3390,9	5,09	129	4914,9	7,37	169	6438,9	9,66
50	1587,50	2,38	90	2857,50	4,29	130	4127,50	6,19	170	5397,50	8,10	50	1905,0	2,86	90	3429,0	5,14	130	4953,0	7,43	170	6477,0	9,72

Permissible variation in length of unlubricated chain under measuring load: + 0,15 % with measured length 49 x the pitch of the chain in mm

Lengths and tolerances

Roller chains with pitch p = 44,45 mm (1 3/4")

iwis Designation	DIN 8187	Measuring load in N
M 2819	28B-1	2000
D 2819	28B-2	3600
Tr 2819	28B-3	5300

Roller chains with pitch p = 50,8 mm (2")

iwis Designation	DIN 8187	Measuring load in N
M 3219	32B-1	2500
D 3219	32B-2	4500
Tr 3219	32B-3	6700

iwis Designation	DIN 8181	Measuring load in N
LR 3211	216B	600

No. of links			Absolute length mm			+Tol. mm			No. of links			Absolute length mm			+Tol. mm			No. of links			Absolute length mm			+Tol. mm		
11	488,95	0,73	51	2266,95	3,40	91	4044,95	6,07	131	5822,95	8,73	11	558,8	0,84	51	2590,8	3,89	91	4622,8	6,93	131	6654,8	9,98			
12	533,40	0,80	52	2311,40	3,47	92	4089,40	6,13	132	5867,40	8,80	12	609,6	0,91	52	2641,6	3,96	92	4673,6	7,01	132	6705,6	10,06			
13	577,85	0,87	53	2355,85	3,53	93	4133,85	6,20	133	5911,85	8,87	13	660,4	0,99	53	2692,4	4,04	93	4724,4	7,09	133	6756,4	10,13			
14	622,30	0,93	54	2400,30	3,60	94	4178,30	6,27	134	5956,30	8,93	14	711,2	1,07	54	2743,2	4,11	94	4775,2	7,16	134	6807,2	10,21			
15	666,75	1,00	55	2444,75	3,67	95	4222,75	6,33	135	6000,75	9,00	15	762,0	1,14	55	2794,0	4,19	95	4826,0	7,24	135	6858,0	10,29			
16	711,20	1,07	56	2489,20	3,73	96	4267,20	6,40	136	6045,20	9,07	16	812,8	1,22	56	2844,8	4,27	96	4876,8	7,32	136	6908,8	10,36			
17	755,65	1,13	57	2533,65	3,80	97	4311,65	6,47	137	6089,65	9,13	17	863,6	1,30	57	2895,6	4,34	97	4927,6	7,39	137	6959,6	10,44			
18	800,10	1,20	58	2578,10	3,87	98	4356,10	6,53	138	6134,10	9,20	18	914,4	1,37	58	2946,4	4,42	98	4978,4	7,47	138	7010,4	10,52			
19	844,55	1,27	59	2622,55	3,93	99	4400,55	6,60	139	6178,55	9,27	19	965,2	1,45	59	2997,2	4,50	99	5029,2	7,54	139	7061,2	10,59			
20	889,00	1,33	60	2667,00	4,00	100	4445,00	6,67	140	6223,00	9,33	20	1016,0	1,52	60	3048,0	4,57	100	5080,0	7,62	140	7112,0	10,67			
21	933,45	1,40	61	2711,45	4,07	101	4489,45	6,73	141	6267,45	9,40	21	1066,8	1,60	61	3098,8	4,65	101	5130,8	7,70	141	7162,8	10,74			
22	977,90	1,47	62	2755,90	4,13	102	4533,90	6,80	142	6311,90	9,47	22	1117,6	1,68	62	3149,6	4,72	102	5181,6	7,77	142	7213,6	10,82			
23	1022,35	1,53	63	2800,35	4,20	103	4578,35	6,87	143	6356,35	9,53	23	1168,4	1,75	63	3200,4	4,80	103	5232,4	7,85	143	7264,4	10,90			
24	1066,80	1,60	64	2844,80	4,27	104	4622,80	6,93	144	6400,80	9,60	24	1219,2	1,83	64	3251,2	4,88	104	5283,2	7,92	144	7315,2	10,97			
25	1111,25	1,67	65	2889,25	4,33	105	4667,25	7,00	145	6445,25	9,67	25	1270,0	1,90	65	3302,0	4,95	105	5334,0	8,00	145	7366,0	11,05			
26	1155,70	1,73	66	2933,70	4,40	106	4711,70	7,07	146	6489,70	9,73	26	1320,8	1,98	66	3352,8	5,03	106	5384,8	8,08	146	7416,8	11,13			
27	1200,15	1,80	67	2978,15	4,47	107	4756,15	7,13	147	6534,15	9,80	27	1371,6	2,06	67	3403,6	5,11	107	5435,6	8,15	147	7467,6	11,20			
28	1244,60	1,87	68	3022,60	4,53	108	4800,60	7,20	148	6578,60	9,87	28	1422,4	2,13	68	3454,4	5,18	108	5486,4	8,23	148	7518,4	11,28			
29	1289,05	1,93	69	3067,05	4,60	109	4845,05	7,27	149	6623,05	9,93	29	1473,2	2,21	69	3505,2	5,26	109	5537,2	8,31	149	7569,2	11,35			
30	1333,50	2,00	70	3111,50	4,67	110	4889,50	7,33	150	6667,50	10,00	30	1524,0	2,29	70	3556,0	5,33	110	5588,0	8,38	150	7620,0	11,43			
31	1377,95	2,07	71	3155,95	4,73	111	4933,95	7,40	151	6711,95	10,07	31	1574,8	2,36	71	3606,8	5,41	111	5638,8	8,46	151	7670,8	11,51			
32	1422,40	2,13	72	3200,40	4,80	112	4978,40	7,47	152	6756,40	10,13	32	1625,6	2,44	72	3657,6	5,49	112	5689,6	8,53	152	7721,6	11,58			
33	1466,85	2,20	73	3244,85	4,87	113	5022,85	7,53	153	6800,85	10,20	33	1676,4	2,51	73	3708,4	5,56	113	5740,4	8,61	153	7772,4	11,66			
34	1511,30	2,27	74	3289,30	4,93	114	5067,30	7,60	154	6845,30	10,27	34	1727,2	2,59	74	3759,2	5,64	114	5791,2	8,69	154	7823,2	11,73			
35	1555,75	2,33	75	3333,75	5,00	115	5111,75	7,67	155	6889,75	10,33	35	1778,0	2,67	75	3810,0	5,71	115	5842,0	8,76	155	7874,0	11,81			
36	1600,20	2,40	76	3378,20	5,07	116	5156,20	7,73	156	6934,20	10,40	36	1828,8	2,74	76	3860,8	5,79	116	5892,8	8,84	156	7924,8	11,89			
37	1644,65	2,47	77	3422,65	5,13	117	5200,65	7,80	157	6978,65	10,47	37	1879,6	2,82	77	3911,6	5,87	117	5943,6	8,92	157	7975,6	11,96			
38	1689,10	2,53	78	3467,10	5,20	118	5245,10	7,87	158	7023,10	10,53	38	1930,4	2,90	78	3962,4	5,94	118	5994,4	8,99	158	8026,4	12,04			
39	1733,55	2,60	79	3511,55	5,27	119	5289,55	7,93	159	7067,55	10,60	39	1981,2	2,97	79	4013,2	6,02	119	6045,2	9,07	159	8077,2	12,12			
40	1778,00	2,67	80	3556,00	5,33	120	5334,00	8,00	160	7112,00	10,67	40	2032,0	3,05	80	4064,0	6,10	120	6096,0	9,14	160	8128,0	12,19			
41	1822,45	2,73	81	3600,45	5,40	121	5378,45	8,07	161	7156,45	10,73	41	2082,8	3,12	81	4114,8	6,17	121	6146,8	9,22	161	8178,8	12,27			
42	1866,90	2,80	82	3644,90	5,47	122	5422,90	8,13	162	7200,90	10,80	42	2133,6	3,20	82	4165,6	6,25	122	6197,6	9,30	162	8229,6	12,34			
43	1911,35	2,87	83	3689,35	5,53	123	5467,35	8,20	163	7245,35	10,87	43	2184,4	3,28	83	4216,4	6,32	123	6248,4	9,37	163	8280,4	12,42			
44	1955,80	2,93	84	3733,80	5,60	124	5511,80	8,27	164	7289,80	10,93	44	2235,2	3,35	84	4267,2	6,40	124	6299,2	9,45	164	8331,2	12,50			
45	2000,25	3,00	85	3778,25	5,67	125	5556,25	8,33	165	7334,25	11,00	45	2286,0	3,43	85	4318,0	6,48	125	6350,0	9,52	165	8382,0	12,57			
46	2044,70	3,07	86	3822,70	5,73	126	5600,70	8,40	166	7378,70	11,07	46	2336,8	3,51	86	4368,8	6,55	126	6400,8	9,60	166	8432,8	12,65			
47	2089,15	3,13	87	3867,15	5,80	127	5645,15	8,47	167	7423,15	11,13	47	2387,6	3,58	87	4419,6	6,63	127	6451,6	9,68	167	8483,6	12,73			
48	2133,60	3,20	88	3911,60	5,87	128	5689,60	8,53	168	7467,60	11,20	48	2438,4	3,66	88	4470,4	6,71	128	6502,4	9,75	168	8534,4	12,80			
49	2178,05	3,27	89	3956,05	5,93	129	5734,05	8,60	169	7512,05	11,27	49	2489,2	3,73	89	4521,2	6,78	129	6553,2	9,83	169	8585,2	12,88			
50	2222,50	3,33	90	4000,50	6,00	130	5778,50	8,67	170	7556,50	11,33	50	2540,0	3,81	90	4572,0	6,86	130	6604,0	9,91	170	8636,0	12,95			

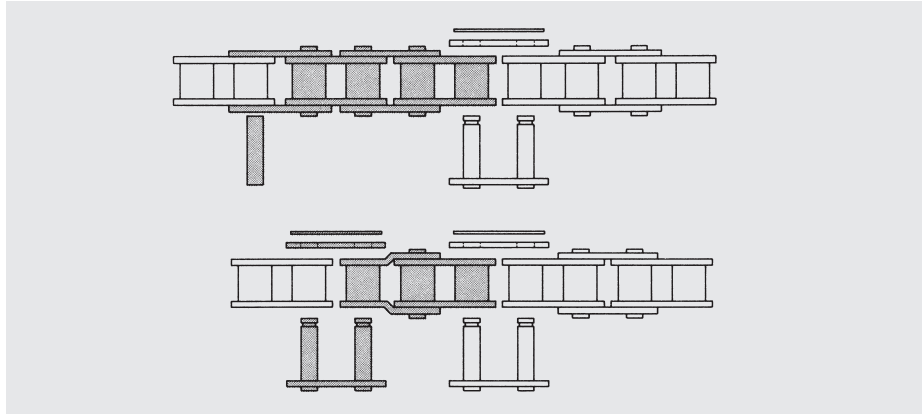
Permissible variation in length of unlubricated chain under measuring load: + 0,15 % with measured length 49 x the pitch of the chain in mm

3.3 Shortening and lengthening chain

Shortening by one link

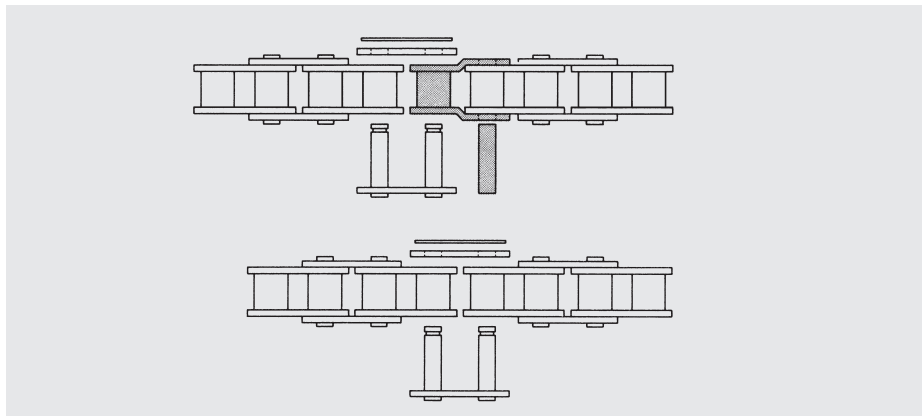
1) A chain with even number of links:

To shorten the chain by one link, remove two inner links and two outer links adjacent to the connector link and fit a double cranked link together with a further connector link.



2) A chain with uneven number of links:

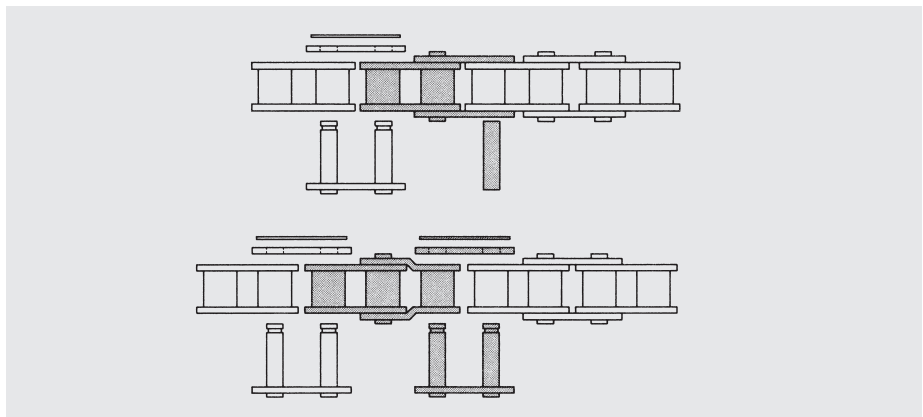
To shorten the chain remove the cranked link.



Extending chain by one link

1) A Chain with even number of links:

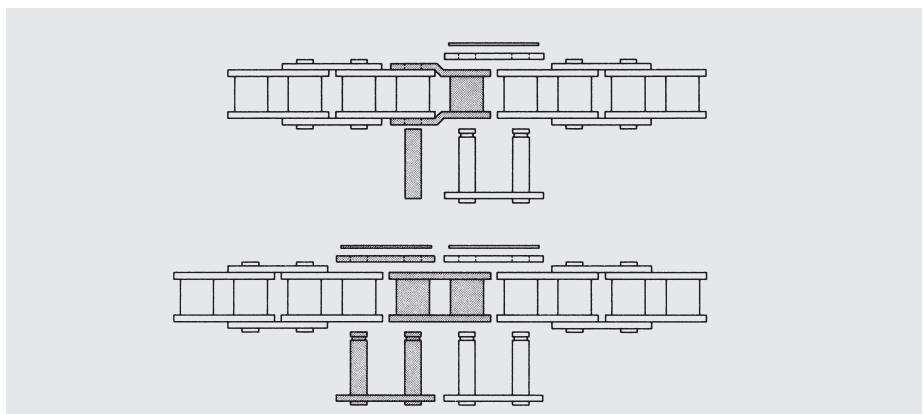
To extend chain by one link remove one inner link and one outer link and fit one double cranked link with a further connector link.



2) A chain with uneven number of links:

To extend the chain by one link, remove the single cranked link and fit an inner link with an additional connector link.

Various tools are available to **separate** and **connect** roller and bush chains, to cover the shouldered bearing pin to DIN 8187 and the plain bearing pin to DIN 8188. The types and dimensions are indicated in a separate leaflet.



A

iwis Chain wheels

B

Layout of
iwis chain drives

C

General information
iwis chain drives

D

iwis Chains for
industrial use

E

iwis Automotive
chain drives

F

Conversion charts,
iwis chain guideline

G

A

1 Arrangement of drive

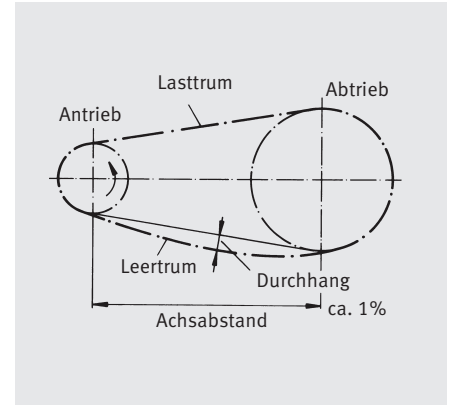
When designing a chain drive it is very often impossible to realize the theoretical best arrangement of the chainwheels.

A horizontal position for the chain wheel shafts is preferable, where the driven/taught span should be at the top and the slack span below.

For chain drives arranged in the normal position the slack should be approx. 1 % of the centre distance. The mean centre distance can be assumed to be 30 – 60 pitches p . The angle of arc α depends on the following:

$$z_1 \leq 21 \quad \alpha \geq 120^\circ$$

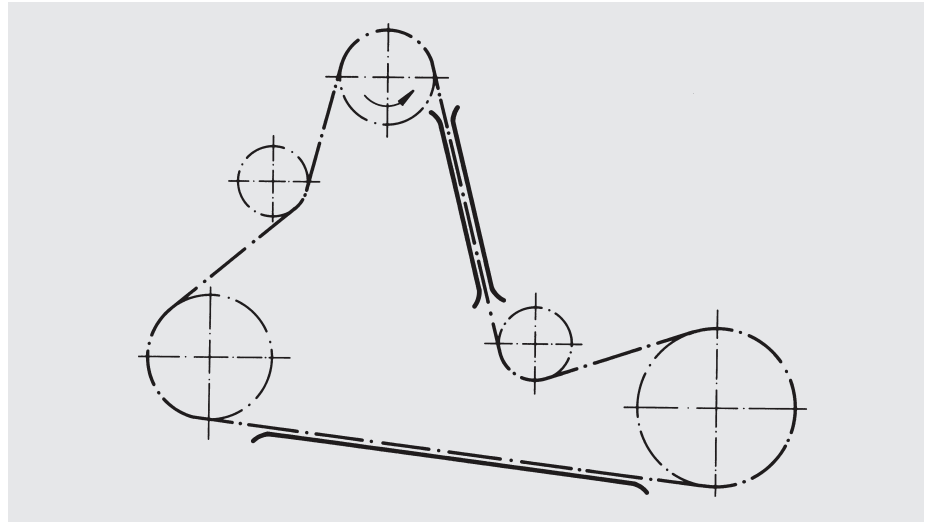
$$z_1 > 21 \quad \alpha \geq 90^\circ$$



B

C

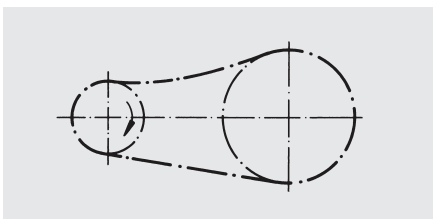
Further examples of chain drive layout:



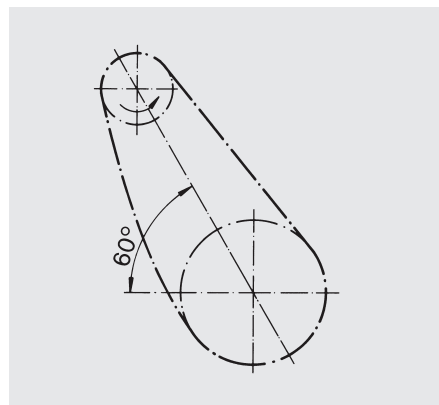
D

When adapting a drive to a restricted space it is possible to use idler wheels. Where the distance between centres is considerable, chain guides can be used to support the chains.

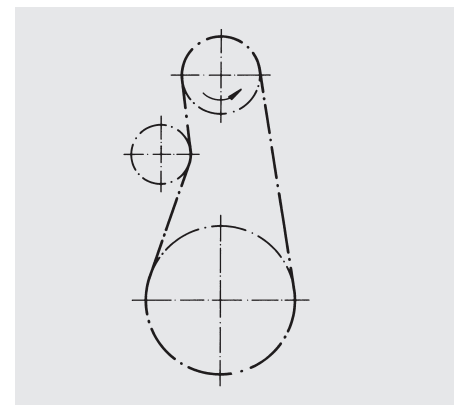
E



With the driven chain side below, only a short centre distance and minimum slack is permissible, to ensure that the slack chain does not interfere or compact between the wheels.



With chain wheels arranged horizontally and up to 60° a tensioner and or guide is not necessarily required.



With the chain vertical, a tensioning roller or blade should be provided. An excessive chain length can be compensated by means of a tensioning roller in the case of fixed centre distances.

F

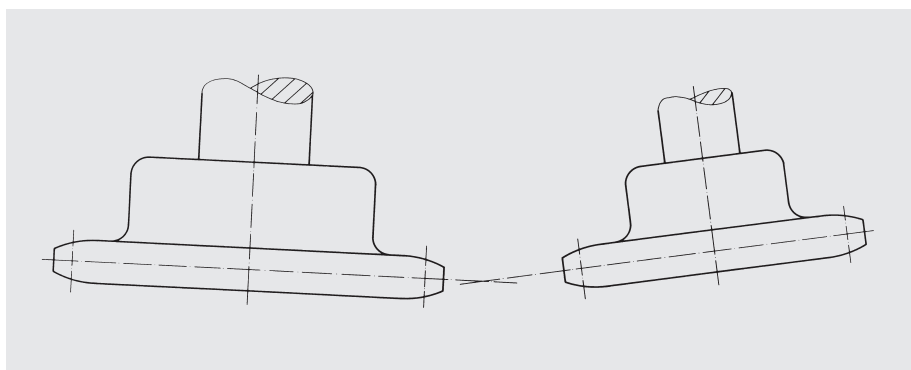
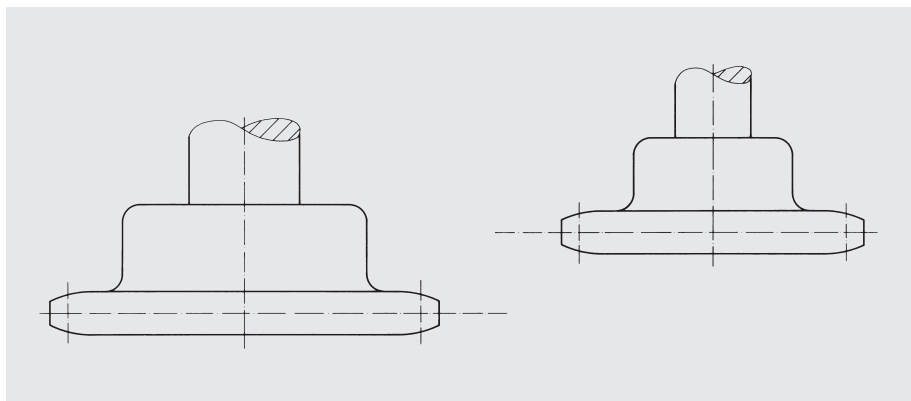
G

2 Chain and chain wheel alignment

Accurate chain alignment has a significant effect on chain life. Particular care should be paid to ensure that the shafts are parallel and to the alignment of the chain wheels. As a guide for slow running chain drives a tolerance of 0,2 mm per 100 mm centre distance is given for misalignment. In the case of faster running drives, such as in combustion engines and with short centre distances misalignment of the wheels should not exceed 0,1 mm.

With short centre distance drives and vertical chain wheel centres the chain should be supported by means of a guide.

Where the misalignment exceeds the specified value or if there is no support in the case of vertical chain wheel centres, the inner links interfere with the chain wheel teeth, resulting in continuous knocking of the inner link plates, which are eventually pushed outwards until they contact the outer link plates and thus reduce the freedom of link movement. In addition, lateral vibrations are set up, which accelerate chain wear.



3 Chain tension

Vibrations cause wear and increase the noise level of chain drives. They can be caused by:

- Uneven rotational speed of driver or driven sprocket
- Polygon effect
- Inaccurate alignment
- Vertical and horizontal run-out of sprockets
- Long, loose chain sections
- Insufficient lubrication

A distinction is made between longitudinal and transverse oscillations of the chain.

In the case of **longitudinal oscillations** there is a constant change in chain tension between the chain wheels.

Transverse oscillations are set up with long and loose chain sections as a result of super-imposing pulse and natural frequencies of the drive.

With the correct tension and guiding of the chain the above oscillations can be reduced or even prevented.

A

iwis Chain wheels

B

Layout of
iwis chain drives

C

General information
iwis chain drives

D

iwis Chains for
industrial use

E

iwis Automotive
chain drives

F

Conversion charts,
iwis chain guideline

G

Chain tensioners

The life of a chain drive is increased considerably if a tensioner is used. A chain works satisfactorily up to an elongation due to wear amounting to max. 2 %, provided it is continuously re-tensioned. If this is not done, the slack span begins to hang to an increasing degree and the chain runs unevenly causing additional wear.

The initial load must be sufficient to stabilize the chain running, to eliminate the wear and to prevent jumping of the chain over the teeth. Excessive high initial tensioner load has to be avoided, since this can increase the chain load and bearing pressure beyond an acceptable level.

CHAIN TENSIONER AMS TYPE

With automatic adjustment and non-return mechanism. This tensioner ensures constant damping of oscillations. Two fixing bolts in a groove enable the complete chain tensioner to be moved, thus increasing the range of adjustment.

Detailed information is provided in a special brochure.

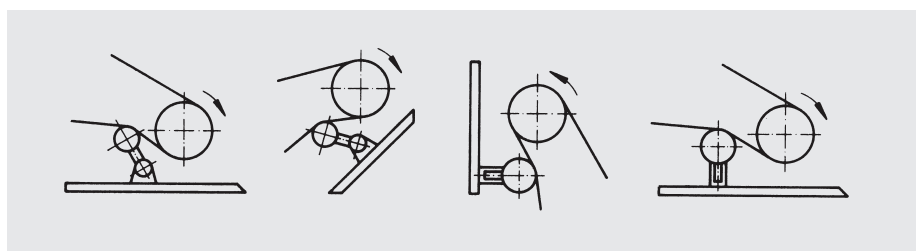
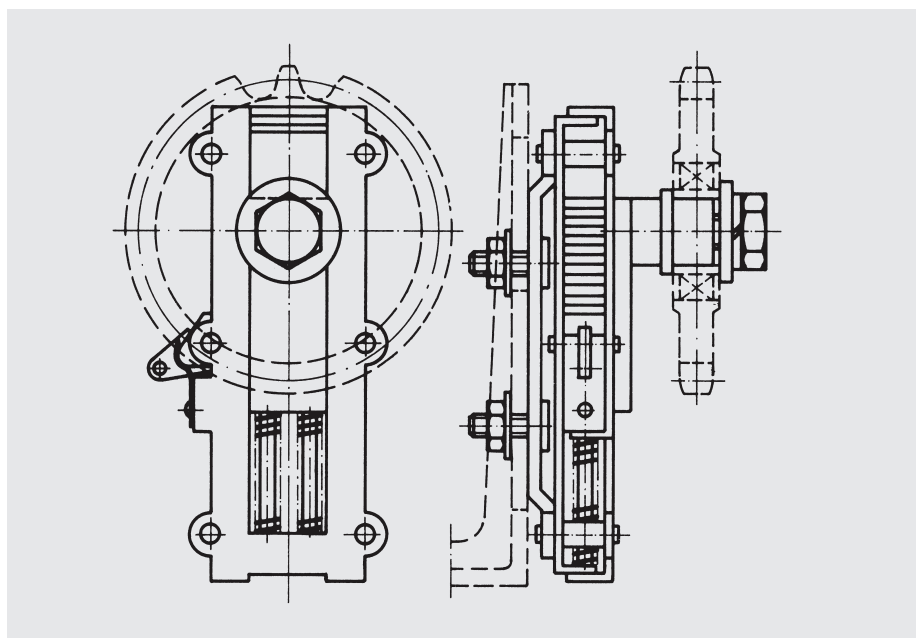
Installation:

The tensioners offered by **iwis** can be fitted in many positions. They are always fitted on the slack span of the chain drive.

Chain guides

Chain guides are used to support chains where the centre distance is long, in order to reduce the stress as a result of the chain weight. They also reduce transverse and longitudinal oscillations, which increase the wear rate.

In addition, chain guides are used to absorb or reduce the force due to the mass, as it occurs when the chain runs off the wheel. Chain guides can be effectively used for noise damping purposes.



4 Maintenance and Lubrication of Chain Drives

Regular maintenance and lubrication are preconditions for low wear and long service life of the chain drive.

Maintenance and lubrication frequency, as well as the related relubrication, is determined by operating conditions (tensile forces, temperature, contamination, aggressive media).

Maintenance

During **regular visual inspections** special attention should be paid to **stretching due to wear, tension, lubrication condition, and evidence of wear due to tracking errors.**

Checking the maximum per-missible stretching due to wear:

The length of a chain is defined by the pitch p and the number of links X . In the course of time stretching due to wear occurs, and usually this can be measured without removing the chain. The difference from precise measurement with a specified measurement load is slight if measurements are conducted over the highest possible number of chain links, approximately 20 to 40.

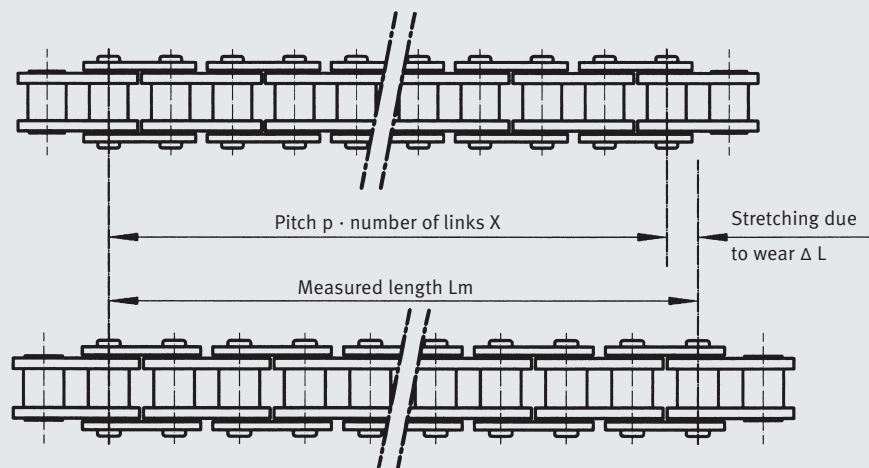
The **chain should be replaced** at:

max. 3%	for simple drives
ca. 2%	for high-performance drives
ca. 1%	for special applications (synchronous operation, positioning)

Controlled **retensioning** of the chains has a very positive effect on chain life. Extreme retensioning should be avoided just as much as excessive slack. A guideline figure would be approx. 5 % of the actual chain pulling force. In the case of chains running in parallel both strands must be tensioned equally, at best by a common shaft for both sprockets. If no automatic chain tensioning device is available the chain must be adjusted by hand, by altering the distance between the sprocket shafts.

A further possibility with long drives is to shorten the chain by removing individual links, provided that wear is relatively light. Various tools are available for dismantling and reassembling the chain. These tools are available for parallel pin and shouldered pin chains.

Measurement of stretching due to wear



$$\Delta L = \frac{L_m - (p \cdot X)}{p \cdot X} \cdot 100 [\%]$$

Before **relubrication** the chains and sprockets should be **cleaned** to remove obstinate contamination and to permit the lubricant to penetrate via the back of the plates. The surface of the chain can also be cleaned using an appropriate solvent. Complete immersion and washing is not recommended as the cleaning agent does not evaporate completely from within the chain and thus the penetration of the fresh lubricant is obstructed.

During **visual inspection**, attention should be paid to evidence of chain linkplate marking and wear due to tracking errors. These are caused by misaligned sprockets or guides or by chains which are not in parallel.

Guide figure for alignment deviations per 100 mm axle separation:

0.1 mm with fast-running drives and close axle spacing;

0.2 mm with slow-running drives. The sprockets should be constantly inspected and if necessary replaced. We do not recommend that new chains are used with worn sprockets.

A

Chain wheels
iwis

B

Layout of
iwis chain drives

C

General information
iwis chain drives

D

Chains for
iwis industrial use

E

Automotive
iwis chain drives

F

Conversion charts,
iwis chain guideline

G

A

Lubrication

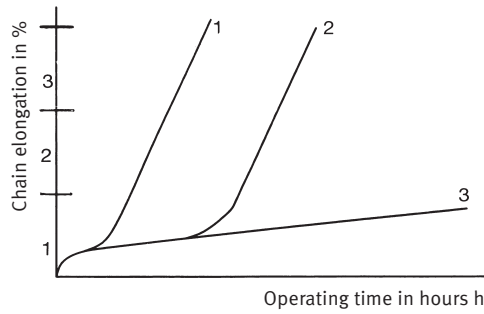
Correct and effective lubrication will protect against high wear resulting from bearing pressure, articulation of pin and bush bore and rotation of the roller.

It will considerably lengthen the service life of the chain. An adequate supply of lubricant must be present in the chain parts at all times and under all load conditions.

Only then can the lubricant do its job of reducing wear, protecting against corrosion and providing a damping action.

B

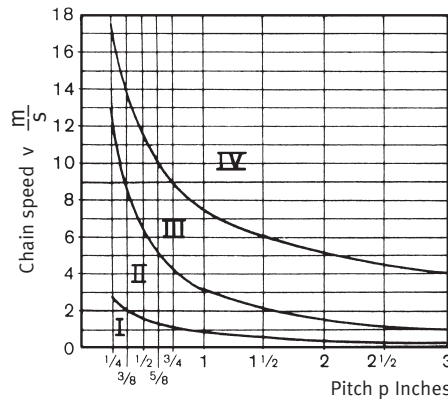
Influence of lubrication on wear and chain stretching



- Graph 1** without lubrication, immediate wear is unavoidable
- Graph 2** optimum initial lubrication, no re-lubrication, high wear after a short time
- Graph 3** optimum initial lubrication and re-lubrication, low wear and long service life

C

Depending upon the application, **iwis** chains are given the appropriate highgrade lubrication. Due to the articulation of the chain parts the lubricant is used in the course of time. For this reason regular re-lubrication is imperative. Selection of the most suitable lubricating method will depend upon the chain speed and chain pitch.



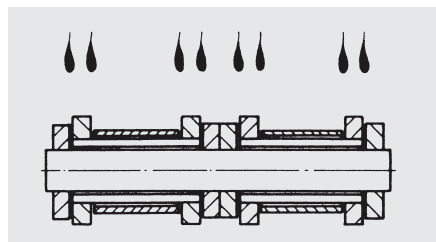
- I** = Oil added with the oil gun or brush
- II** = drip-feed lubrication
- III** = oil bath or centrifugal lubrication
- IV** = pressure circulation lubrication

D

Chain lubricants must provide a combination of the following properties: Adhesiveness, compatibility with initial lubricant, corrosion protection, load-carrying capacity of the oil film, creep capability, anti-seizing lubrication, high viscosity coupled with good flow properties, stability at high temperatures, water repellency, resistance to different media, etc. Recommendations for the selection of the most suitable lubricant may be obtained from the applications advisory service or a competent tribologist.

lency, resistance to different media, etc. Recommendations for the selection of the most suitable lubricant may be obtained from the applications advisory service or a competent tribologist.

Note: Connecting links, when supplied separately, have only been immersion-protected against rust and must be greased upon installation. If the connecting links are supplied together with the chains, they will have been greased with the same lubricant as the chains.

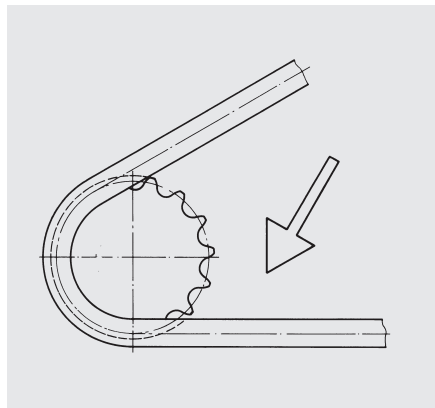


E

F

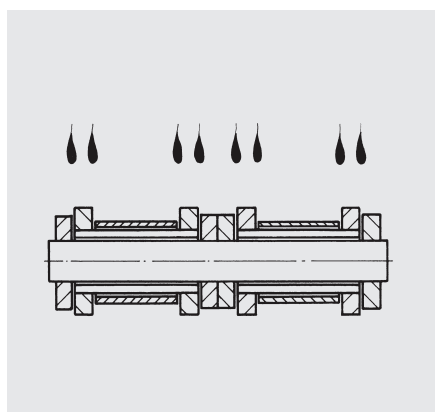
G

Lubrication methods



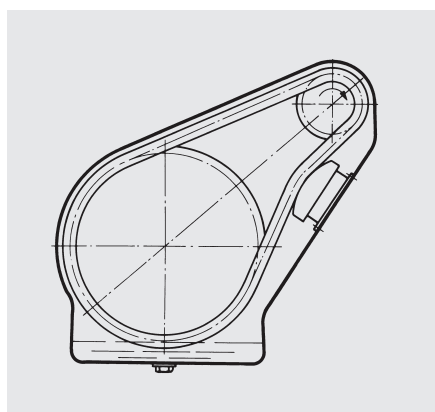
MANUAL LUBRICATION

With oil can or brush – very unreliable. Thus it is suitable only for drives that are not in constant service or for drives with slow chain speeds.



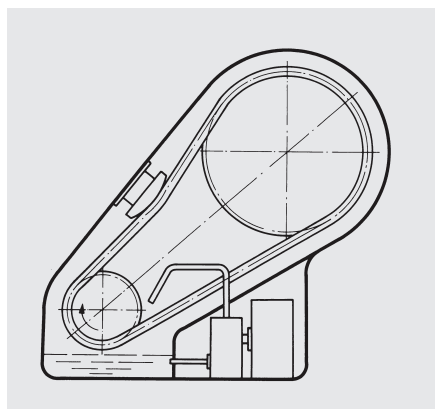
DRIP FEED LUBRICATION

Drip feed is suitable for chain drives that are not highly stressed. In order to reach the joints, the drip tube should be carefully positioned as shown.



OIL BATH LUBRICATION

A chain casing absorbs noise and should be as large as possible, to prevent the chain knocking against the casing wall if the chain elongates due to wear. There is no loss of lubricant in an oil bath. The chain linkplates and rollers should be submerged in the bath. Too great a depth leads to overheating of the oil and its premature oxidation, and causes power loss due to the increased running resistance.



PRESSURE LUBRICATION

Required for high-speed chain drives and high loads. The oil supply can be connected to an existing pressure pipe or it can be provided by a pump. A tube ejects the oil in the direction of the chain travel over the entire width of the chain, onto the inside of the taught span of the chain. The amount of oil feed depends on the size of the drive and the heat to be dissipated.

A

Chain wheels
iwis

B

Layout of
iwis chain drives

C

General information
iwis chain drives

D

iwis Chains for
industrial use

E

iwis Automotive
chain drives

F

Conversion charts,
iwis chain guideline

G

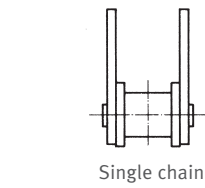
1 Conveyor chains – Roller chains with attachments

1.1 Attachments

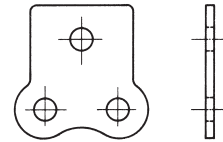
Roller chains are converted into conveyor chains by combining the elements of the standard chain with special attachments, i.e. the straight and bent attachment plates.

All attachments are fitted in place of the outer link plates, and the chain breaking load remains unchanged. These attachments can be fitted on one side, both sides and at any distance to single, double and triple chains.

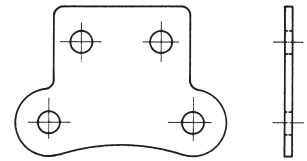
STRAIGHT ATTACHMENT PLATES



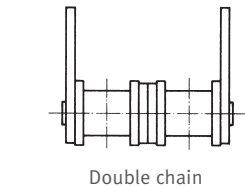
Single chain



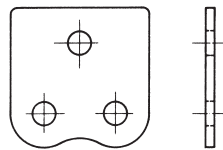
Narrow attachment



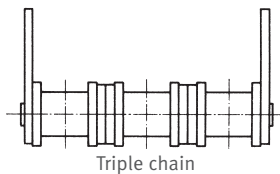
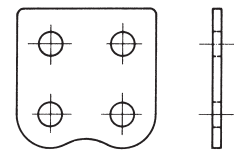
Double pitch attachment



Double chain

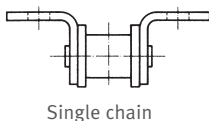


Wide design with one or two drill holes



Triple chain

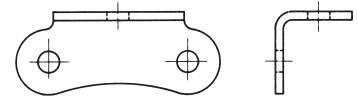
BENT ATTACHMENT PLATES



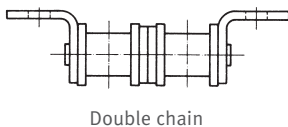
Single chain



Narrow attachment



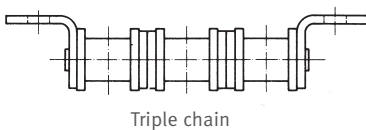
Double pitch attachment



Double chain



Wide design with one or two drill holes

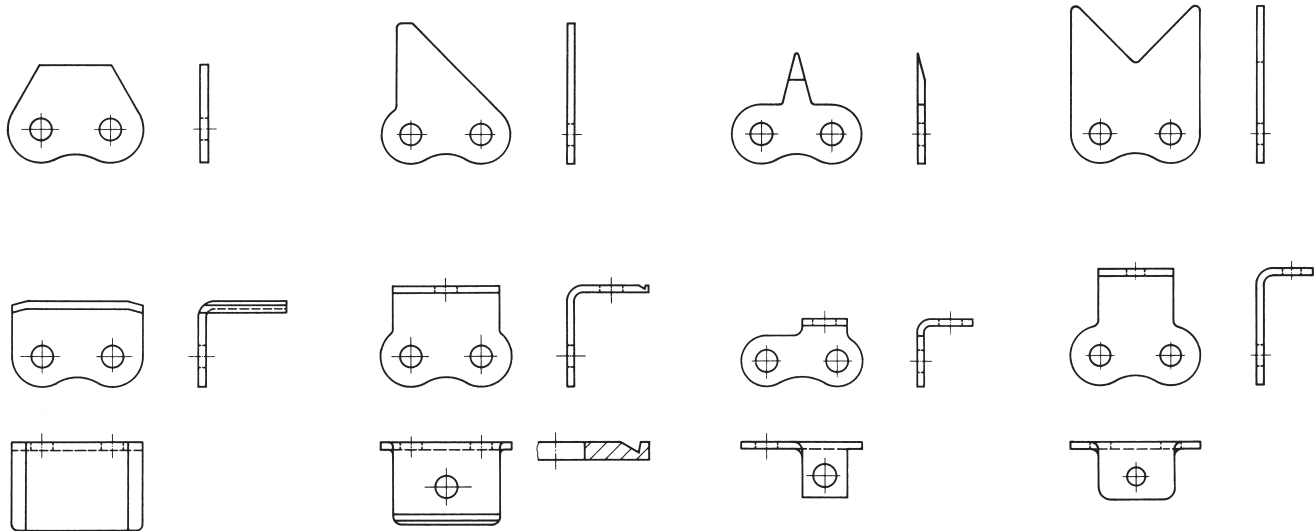


Triple chain

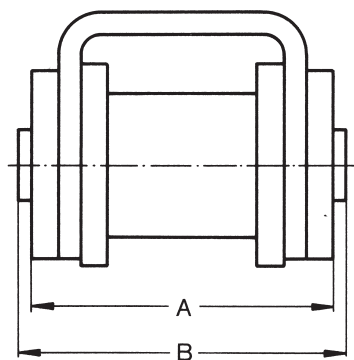
Detailed dimensions are included in catalogue "Precision chains for Drive and Conveyor Purposes"
Further shapes are given in catalogue "Precision chains for Drive and Conveyor Purposes"

SPECIAL LINK PLATES

These may be straight, cranked, bent and drilled and can be adapted to suit the customer's requirements. A few examples are shown below. Further shapes are given in catalogue 11.

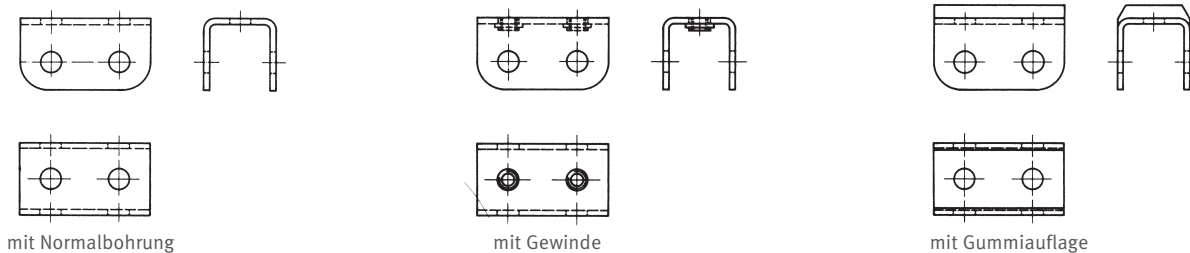
**U-PLATES**

U-Plates are fitted between inner and outer plates. The chain width is larger than standard. See chart.



Chain	Chain width	
	A	B
L 85 SL	17,8	19,8
D 85 SL	31,8	33,9
M 106 SL	20,0	22,0
M 1610A	33,7	36,5

Chain connectors with longer pins are required



Detailed dimensions are included in catalogue "Precision chains for Drive and Conveyor Purposes"
Further shapes are given in catalogue "Precision chains for Drive and Conveyor Purposes"

A

1.2 Extended pins

The extended pins can be fitted on one or both sides of the chain and at any distance. There is a press fit between the extended pin and the outer link plates, to secure against rotation.

A significant advantage of this conveyor chain design, compared to vertical attachment plates for example, is the central application of turning moments, which will reduce the risk of moving the chain from the guide.

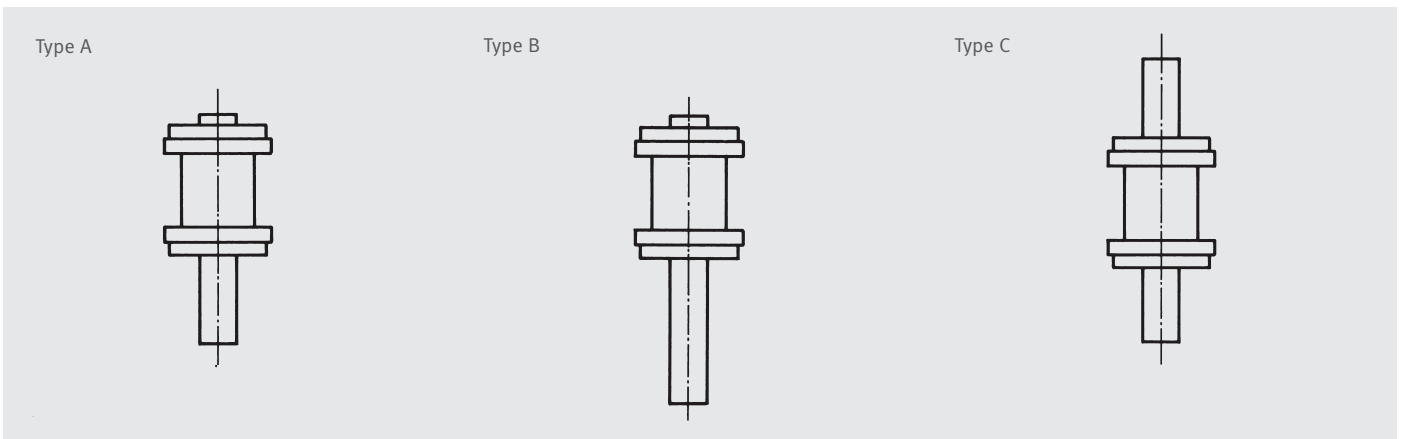
Chain wheels

B

Applicable for
Roller chain **iwis** standard
Roller chains DIN 8187
Roller chains DIN 8188
Roller chains DIN 8181

Layout of chain drives

C



General information chain drives

D

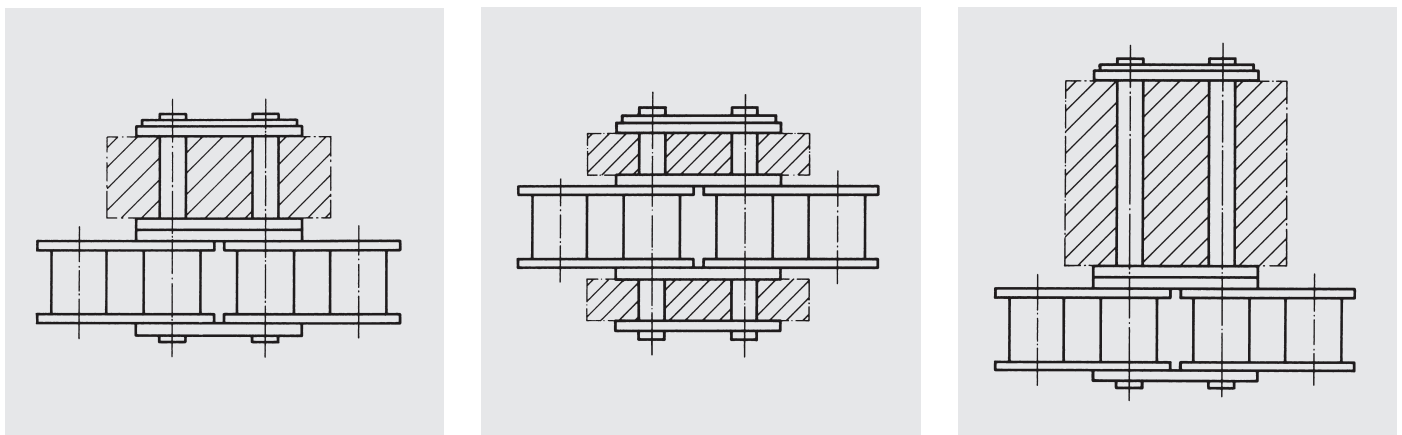
Detailed dimensions are included in catalogue "Precision chains for Drive and Conveyor Purposes"

Chains for industrial use

1.3 Conveyor connecting links

Single, double or triple types for Roller chains **iwis** standard for Roller chains DIN 8187 for Roller chains DIN 8188

E



Automotive chain drives

F

Detailed dimensions are included in catalogue "Precision chains for Drive and Conveyor Purposes"

Conversion charts, iwis chain guideline

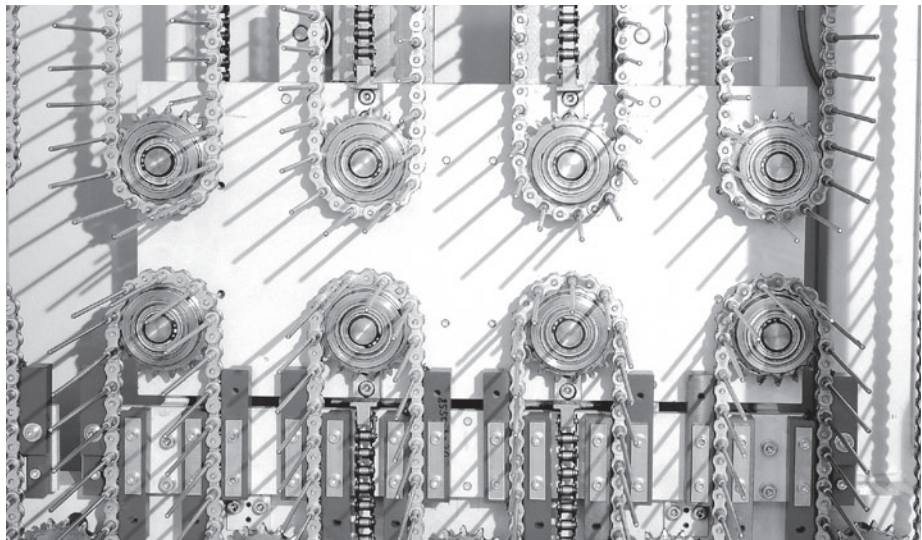
G

PRINTING INDUSTRY:

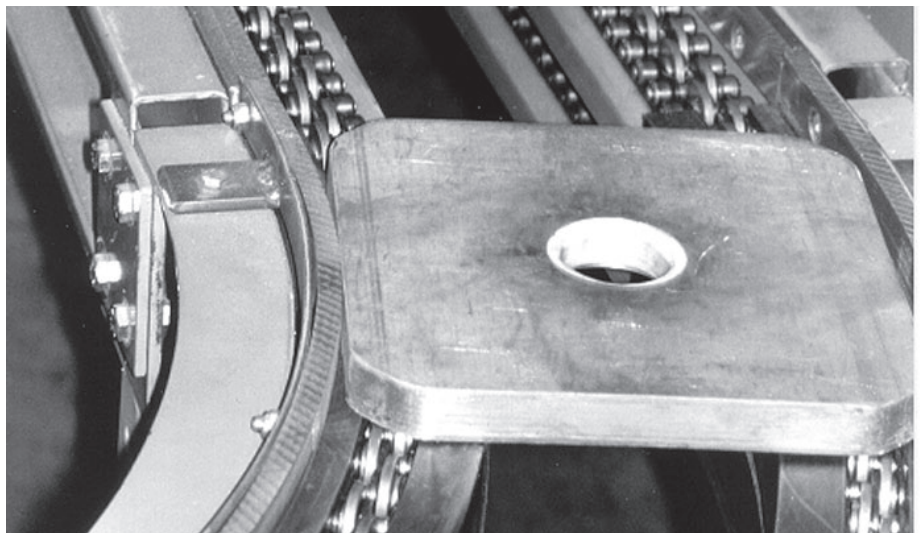
iwis high performance chains running in parallel and accurate synchronous

**GENERAL MECHANICAL ENGINEERING:**

Excellent wear resistance and fatigue strengths for specialized applications

**CONVEYOR SYSTEMS:**

Side bow power and free conveyor chains – the solution for modular changes of direction in conveyor systems.



2 Chains for special applications

2.1 MEGAlife I maintenance free chains

MEGAlife Maintenance-free roller chains can be used wherever lubrication is difficult or impossible to implement. This includes dry ambient conditions, clean-rooms, installations with restricted maintenance access and applications in which a contamination of plant and conveyed product must be prevented.

MEGAlife chains are available as roller chains conforming to the DIN 8187/ISO 606 standard for drive applications and as conveyor chains with attachments. Simplex, duplex and triplex (single, double and triple versions) with a pitch from 9.525 mm to 25.40 mm are available. The nickel-plated chain components are corrosion-resistant and can be used in a temperature range from -40 °C to 150 °C.

The chains are supplied either dry or with special-purpose lubrication to suit the intended application. According to the manufacturer they have an outstanding service life, which, although it depends on the operating conditions, can be further extended through careful periodic lubrication. Under some conditions, the chains can even be permanently operated without maintenance.

DIN ISO no.	Ref. no. iwis	Pitch p (")	Pitch p (mm)	iwis (N) med.	Standard (N) min.	Bearing area f (cm ²)	Weight per m q (kg/m)	b ₁ (mm) min.	b ₂ (mm) min.	g (mm) max.	a ₁ (mm) max. ¹⁾	a (mm) max. ¹⁾	Roller d _r (mm) max.	Pin d ₂ (mm) max.	e (mm)	Article No.
Single																
06 B-1	G 67 ML*	3/8"	9,525	11.000	9.000	0,28	0,41	5,72	8,53	8,20	12,90	16,70	6,35	3,31	-	50033917
08 B-1	L 85 ML	1/2"	12,70	22.000	18.000	0,50	0,70	7,75	11,30	12,20	16,90	18,50	8,51	4,45	-	50026256
^{08 A-1} ANSI 40	L 85 AML	1/2"	12,70	17.500	14.100	0,44	0,60	7,94	11,15	12,00	16,60	17,50	7,95	3,96	-	50036841
10 B-1	M 106 ML	5/8"	15,875	25.000	22.400	0,67	0,95	9,65	13,28	14,40	19,50	20,90	10,16	5,08	-	50026257
12 B-1	M 127 ML	3/4"	19,05	30.000	29.000	0,89	1,25	11,75	15,62	16,20	22,70	23,60	12,07	5,72	-	50026258
^{12 A-1} ANSI 60	M 128 AML	3/4"	19,05	41.000	31.800	1,06	1,47	12,70	17,75	18,00	25,30	26,70	11,91	5,96	-	50038464
16 B-1	M 1611 ML	1"	25,4	75.000	60.000	2,10	2,70	17,02	25,45	21,10	36,10	36,90	15,88	8,28	-	50028923
Double																
06 B-2	D 67 ML	3/8"	9,525	19.000	16.900	0,56	0,78	5,72	8,53	8,20	23,40	24,60	6,35	3,31	10,24	50033832
08 B-2	D 85 ML	1/2"	12,70	40.000	32.000	1,00	1,35	7,75	11,30	12,20	30,80	32,40	8,51	4,45	13,92	50027439
10 B-2	D 106 ML	5/8"	15,875	50.000	44.500	1,34	1,85	9,65	13,28	14,40	36,00	37,50	10,16	5,08	16,59	50027509
12 B-2	D 127 ML	3/4"	19,05	60.000	57.800	1,78	2,50	11,75	15,62	16,40	42,10	43,00	12,07	5,72	19,46	50027457
16 B-2	D 1611 ML	1"	25,40	150.000	106.000	4,21	5,40	17,02	29,45	21,10	68,00	68,80	15,85	8,28	31,88	50033161
20 B-2	D 2012 ML	1 1/4"	31,75	210.000	170.000	5,84	7,36	19,56	29,01	25,40	79,70	82,90	19,05	10,19	36,45	50033771
Triple																
08 B-3	TR 85 ML	1/2"	12,70	58.000	47.500	1,50	2,00	7,75	11,30	12,20	44,70	46,30	8,51	4,45	13,92	50027510
10 B-3	TR 106 ML	5/8"	15,875	75.000	66.700	2,02	2,80	9,65	13,28	14,40	52,50	54,00	10,16	5,08	16,59	50027511
12 B-3	TR 127 ML	3/4"	19,05	89.000	86.700	2,68	3,80	11,75	15,62	16,40	61,50	62,50	12,07	5,72	19,46	50027512
16 B-3	TR 1611 ML	1"	25,40	219.000	160.000	6,32	8,00	17,02	25,45	21,10	99,20	100,70	15,88	8,28	31,88	50033628
Single/Double - MEGAlife I – roller chains with straight side plates																
10 B-1	M 106 ML-GL	5/8"	15,875	24.000	22.400	0,67	0,95	9,65	13,28	13,90	19,50	20,90	10,16	5,08	-	50035304
10 B-2	D 106 ML-GL	5/8"	15,875	47.500	44.500	1,34	1,85	9,65	13,28	13,90	36,00	37,50	10,16	5,08	16,59	50034083
12 B-1	M 127 ML-GL	3/4"	19,05	30.000	29.000	0,89	1,30	11,75	15,62	16,10	22,70	23,60	12,07	5,72	-	50037351
12 B-2	D 127 ML-GL	3/4"	19,05	63.000	57.800	1,78	2,50	11,75	15,62	16,10	42,10	43,00	12,07	5,72	19,46	50034084

* also available in 10 m length (Art. 50035181) ¹⁾ Differing dimensions for cranked links If cranked links are fitted, it should be noted that the breaking strength of the chain may be reduced by approximately 20 %.

2.2 MEGAlife II – roller chains (complying with DIN 8187-1, ISO 606: 1994)

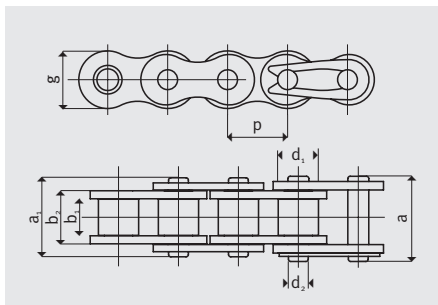
For high-speed and other demanding applications, the Megalife 2 series with its exceptionally long service life is the ideal choice.

Its outstanding surface hardness, which is achieved with a special thermo chemical process, ensures wear resistance even at speeds of over 3 m/s.

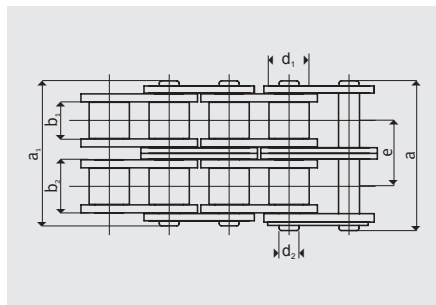
DIN/ISO no.	Ref. no. iwis	Pitch p (")	Pitch p (mm)	iwis (N) med.	Breaking strength F_B Standard (N) min.	Bearing area F (cm ²)	Weight per m q (kg/m)	b_1 (mm) min.	b_2 (mm) min.	g (mm) max.	Inner link a_1 (mm) max. ¹⁾	Outer link a (mm) max. ¹⁾	Roller d_1 (mm) max.	Pin d_2 (mm) max.	5 m Versions Transverse pitch e (mm)	Article No.
Single																
06 B-1	G 67 ML-2*	3/8"	9,525	11.000	9.000	0,28	0,41	5,72	8,53	8,20	12,90	14,10	6,35	3,31	-	50030791
08 B-1	L 85 ML-2	1/2"	12,70	22.000	18.000	0,50	0,70	7,75	11,30	12,20	16,90	18,50	8,51	4,45	-	50030461
10 B-1	M 106 ML-2	5/8"	15,875	27.500	22.400	0,67	0,95	9,65	13,28	14,40	19,50	20,90	10,16	5,08	-	50030462
12 B-1	M 127 ML-2	3/4"	19,05	34.000	29.000	0,89	1,25	11,75	15,62	16,40	22,70	23,60	12,07	5,72	-	50030463
16 B-1	M 1611 ML-2	1"	25,40	75.000	60.000	2,10	2,70	17,02	25,45	21,10	36,10	36,90	15,88	8,28	-	50030464
20 B-1	M 2012 ML-2	1 1/4"	31,75	120.000	95.000	5,84	7,36	19,56	29,10	26,60	77,00	79,70	19,05	10,17	36,45	50033036
Double																
06 B-2	D 67 ML-2	3/8"	9,525	19.000	16.900	0,56	0,78	5,72	8,53	8,20	23,40	24,60	6,35	3,31	10,24	50031074
08 B-2	D 85 ML-2	1/2"	12,70	40.000	32.000	1,00	1,35	7,75	11,30	12,20	30,80	32,40	8,51	4,45	13,92	50030465
10 B-2	D 106 ML-2	5/8"	15,875	49.000	44.500	1,34	1,85	9,65	13,28	14,40	36,00	37,50	10,16	5,08	16,59	50030466
12 B-2	D 127 ML-2	3/4"	19,05	61.000	57.800	1,78	2,50	11,75	15,62	16,40	42,10	43,00	12,07	5,72	19,46	50030467
Triple - ML-2 roller chains on request																
Single ANSI roller chains, complying with DIN 8188-1, American standard, ISO 606: 1994																
08 A-1 ANSI 40	L 85 AML-2	1/2"	12,70	17.500	14.100	0,44	0,60	7,94	11,15	12,00	16,60	17,50	7,95	3,96	-	50033770
12 A-1 ANSI 60	M 128 AML-2	3/4"	19,05	41.000	31.800	1,06	1,47	12,70	17,75	18,00	25,30	26,70	11,91	5,96	-	50031073
16 A-1 ANSI 80	M 1610 AML-2	1"	25,40	68.000	56.700	1,79	2,57	15,88	22,40	22,80	32,00	33,90	15,88	7,94	-	50032667

ML-2 conveyor chains on request

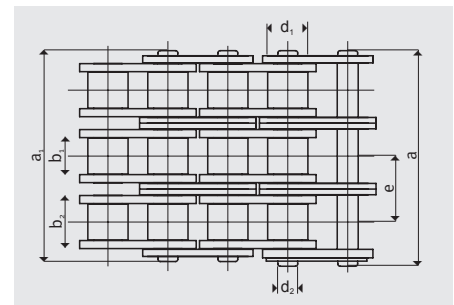
¹⁾ Differing dimensions for cranked links. If cranked links are fitted, it should be noted that the breaking strength of the chain may be reduced by approximately 20 %. * straight side plates



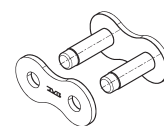
No. 2 Inner link
Standard designation B



No. 3 Connecting link with spring clip
Standard designation E



No. 7 Double cranked link
Standard designation C



No. 8 Outer link
Standard designation A

INDIVIDUAL COMPONENTS AND CONNECTING LINKS

A

2.3 Corrosion-protected chains

Where conditions are less severe, chains with surface-protected parts can be used. IWIS chains are produced with nickel- and zinc-plated surface coatings.

Surface-coated chains provide good corrosion protection: nickel-plated against the effects of moisture, and zinc-plated also against weak organic acids. Nickel-plated surfaces are permitted in the food-stuffs industry.

For technical reasons the pins of these chains are made of normal high-grade steel for chain pins (not SL).

More detailed information is available on request.

Chain wheels

B

2.4 Apron chains

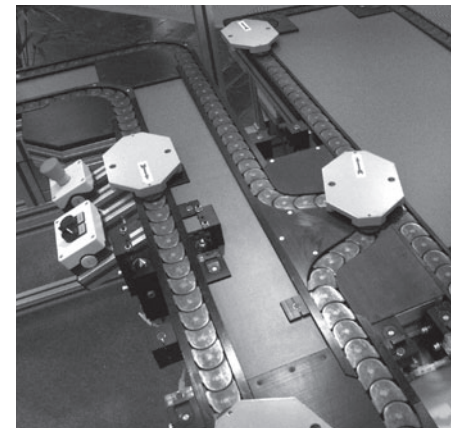
Conveying and storage of components through the tightest curves.

The apron chain is a long-link roller chain 1 1/2 x 7/16" made to DIN 8181 with vertical extended chain pins. Each link is designed as a cranked link with cotter pin. On the extended head of the pin a steel plate is pressure fitted. The meshing shapes of the plates always ensures a constant surface for receiving the components even on the curves.

The apron chain's ability to run around very tight radius curves provides the advantage that long conveyor sections can be concentrated into much smaller spaces.

Plate width: 50 / 80 mm
Minimum radius: 60 mm/150 mm
Minimum tooth number: 20 bei 50 mm
30 bei 80 mm

Number of links: Only possible with an even number of links.



Layout of chain drives

C

iwis-designation: conveyor chain LR 247 (apron chain).

General information chain drives

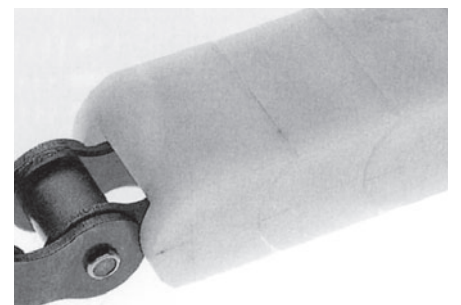
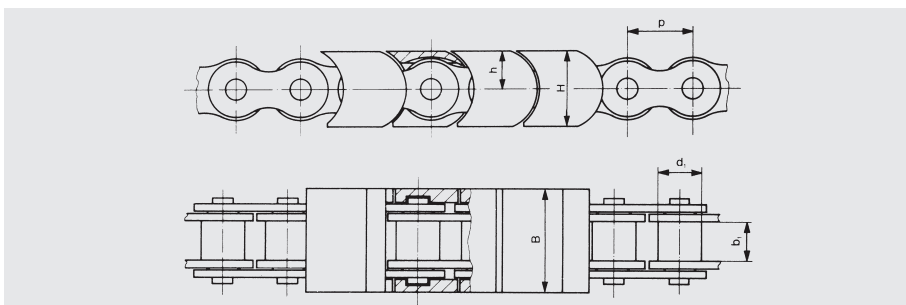
D

2.5 Transfer chains

CONVEYING, TRANSPORTING, SYNCHRONIZING CONTAINERS, COMPONENT PALLETS ...

Chains for industrial use

E



Automotive chain drives

F

iwis-chain no.	Pitch p (mm)	Permissible weight load per chain strand (N)	Breaking strenght iwis F _B (N)	Weight (kg/m)	Width B (mm)	Carrier Attachment		
						Height H (mm)	h (mm)	max. load per plastic Attachment buigel (N)
L 85 TF	12,7	6250	22.000	0,82	19,8	15,2	8,0	12
M 106 TF	15,875	8000	27.500	1,18	24,8	17,5	9,5	26
M 127 TF	19,05	9750	34.000	1,59	29,8	19,8	11,0	43

These chains are made to dimensions shown on page 10 under **iwis** reference L 85 SL, M 106 SL and M 127 SL.

The carriers made from high-grade wear-resistant plastic convey the transported items and seal off the chain's functional area. Guide values for chain selection: friction factor 0.1 for determining the pulling

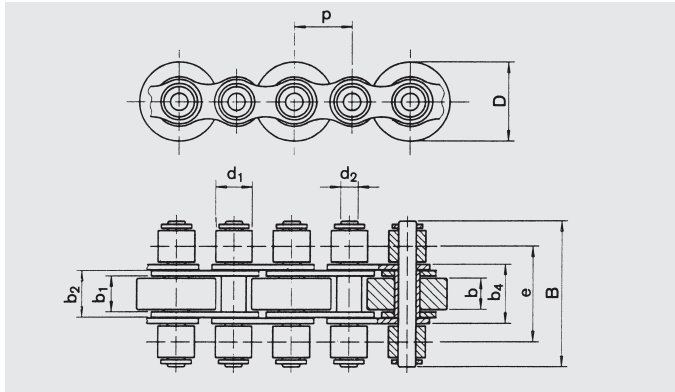
capacity of the chain; friction factor 0.25 for calculating the drive power. For normal loads, a bridge-shaped chain guide on which the chain rollers are carried will be adequate.

Conversion charts, iwis chain guideline

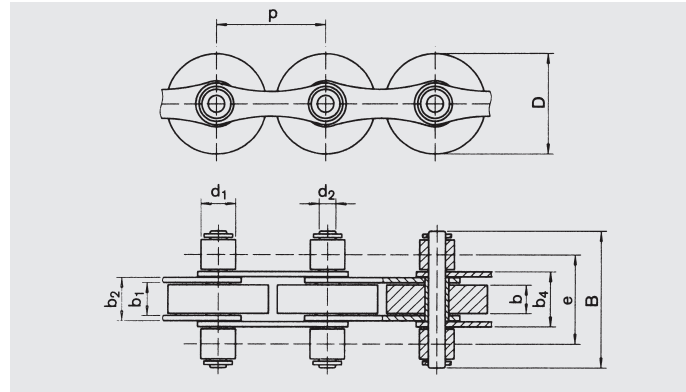
G

2.6 Power and free conveyor chains

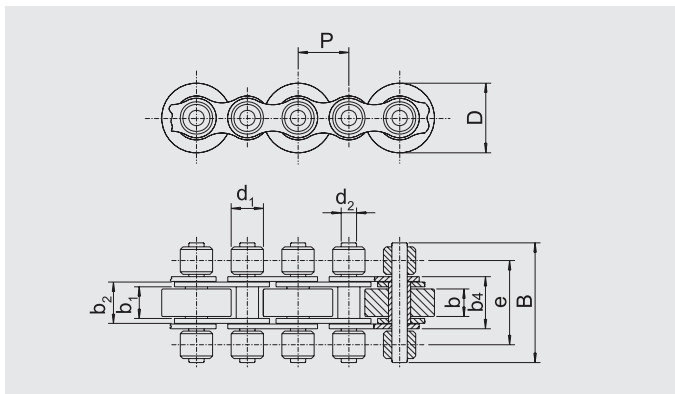
CONVEYING, STOPPING, ACCELERATING, ACCUMULATING



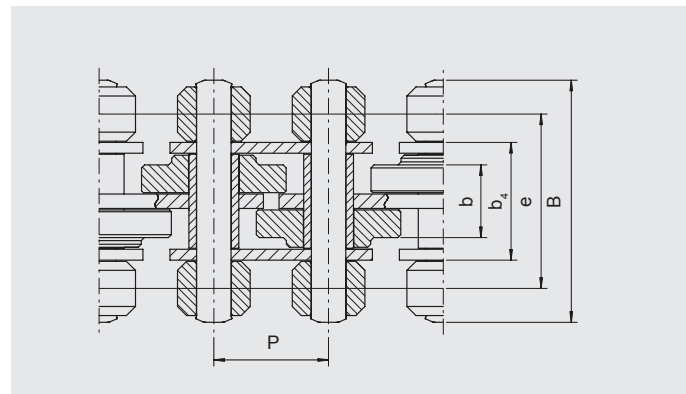
Design M normal pitch



Design LR double pitch



Design OS devoid of washers



Design VS, staggered accumulation roller

Dimensions - new power and free chains

iwis chain Typ	Pitch p (mm)	B (mm)	Chain width			e (mm)	Diameter (mm)	Transport roller	
			b (mm)	b ₄ (mm)	Loading capacity (kg)			Weight (kg/m)	
L 88 SFK	12,70	27	9,2	14,50	18,70	16,00 ¹⁾	6	0,85	
L 88 SFS	12,70	27	9,2	14,50	18,70	16,00	8	1,40	
M 120 SFK	19,05	40	11,70	19,55	29,0	24,01) / 26,0 / 27,01) / 28,0	10	1,8	
M 120 SFK	19,05	45	11,70	19,55	31,5	24,0 / 26,0 / 27,0 / 28,0	10	1,8	
M 120 SFS	19,05	40	11,70	19,55	29,0	24,01) / 26,0 / 27,01) / 28,0	15	2,8	
M 120 SFS	19,05	45	11,70	19,55	31,5	24,0 / 26,0 / 27,0 / 28,0	15	2,8	

1) Supplied ex stock

SFK - with plastic transport rollers
SFS - with hardened steel transport rollers

A

Chain wheels
iwis

B

Layout of
iwis chain drives

C

General information
iwis chain drives

D

iwis Chains for
industrial use

E

Automotive
iwis chain drives

F

Conversion charts,
iwis chain guideline

G

A

Chain wheels

B

Layout of chain drives

C

General information chain drives

D

Chains for industrial use

E

Automotive chain drives

F

Conversion charts, iwis chain guideline

G

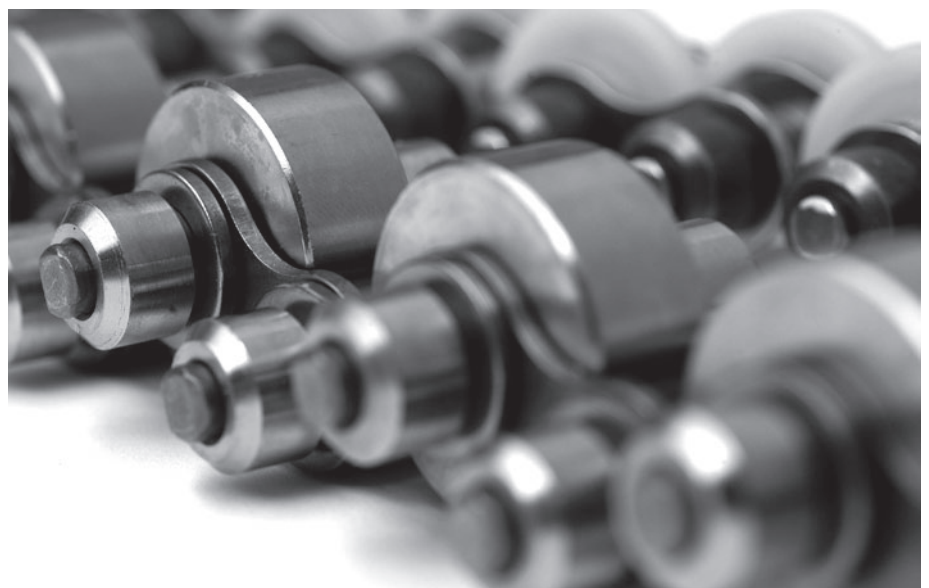
Design	iwis chain no.	Pitch p (mm)	Chain width B (mm)	e (mm)	b ₁ (mm)	b ₂ (mm) max.	b ₄ (mm) max.	Width b (mm)	Transport roller			Diameter			
									Diameter	Loading capacity (kg)	Roller d ₁ (mm)	Pin d ₂ (mm)	Weight (kg/m)		
OS	L 85 SFK	12,70	27	18,70	-	-	14,50	9,2	16,00	6	-	-	0,85		
	L 85 SFS	12,70	27	18,70	-	-	14,50	9,2	16,00	8	-	-	1,40		
	M 127 SFK	19,05	40	27,5	11,75	15,62	19,55	11,0	24,0	26,0	28,0	10	12,07	5,72	2,3
M	M 127 SFS	19,05	40	27,5	11,75	15,62	19,55	11,0	24,0	26,0	28,0	-	12,07	5,72	3,1
	M 127 SFK	19,05	40	27,5	11,75	15,62	19,55	11,0	24,0	26,0	28,0	10	12,07	5,72	2,3
	M 127 SFK	19,05	43	29,0	11,75	15,62	19,55	11,0	24,0	26,01	28,0	10	12,07	5,72	2,3
	M 127 SFK	19,05	48	31,5	11,75	15,62	19,55	11,0	24,0	26,0	28,0	10	12,07	5,72	2,3
	M 127 SFS	19,05	40	27,5	11,75	15,62	19,55	11,0	24,0	26,0	28,0	15	12,07	5,72	3,1
	M 127 SFS	19,05	43	29,0	11,75	15,62	19,55	11,0	24,0	26,0	28,0	15	12,07	5,72	3,1
	M 127 SFS	19,05	48	31,5	11,75	15,62	19,55	11,0	24,01	26,0	28,0	15	12,07	5,72	3,1
	M 1611 SFK	25,4	67,9	44,9	17,02	25,45	32,0	16,5	38,5	-	-	25	15,88	8,28	4,9
	M 1611 SFS	25,4	67,9	44,9	17,02	25,45	32,0	16,5	38,5	-	-	30	15,88	8,28	7,2
	LR	LR 165 SFK	25,4	30,7	20,0	7,75	11,30	14,65	7,5	24,0	-	-	6	8,52	4,45
LR 247 SFK		38,1	48	31,5	11,75	15,62	19,55	11,0	24,0	35	-	10	12,07	5,72	2,6
LR 247 SFS		38,1	48	31,5	11,75	15,62	19,55	11,0	24,0	35	-	10	12,07	5,72	2,6
LR 3211 SFK		50,8	67,9	44,9	17,02	25,45	32,0	16,5	50,0	38,5	-	25	15,88	8,28	3,6
LR 3211 SFS	50,8	67,9	44,9	17,02	25,45	32,0	16,5	50,0	38,5	-	30	15,88	8,28	7,6	

¹⁾ Supplied ex stock SFK - with plastic conveyor rollers SFS - with hardened steel conveyor rollers

Special designs with guide plates, other transport roller diameters and roller arrangements are available on request.

Maximum permissible conveyor length, depending on load, approx. 30 m. In the case of conveyor sections longer than approx. 10 m, guide plates are recommended as compensation for any misalignment in the guides which may be present. The decisive factor in selecting chain is the load-bearing capacity of the transport rollers and the permissible chain pulling power. Depending on loading, chain guides can be made of plastic or steel.

Option: Chains **M 127 SFK/SFS** with transport rollers 24 and 26 mm diameter can also be supplied with wear-resistant plastic inserts, which seal off the gaps between the transport rollers and protect the chain from ingress of foreign matters.

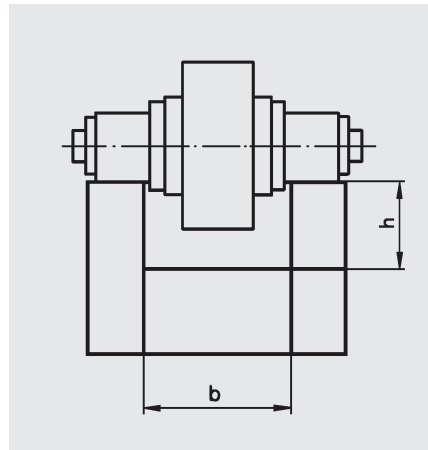


Maintenance power and free conveyor chains with special redesigned joint and transport rollers made of sintered steel,

can be applied in cases where Lubrication is not at all or only partly possible.

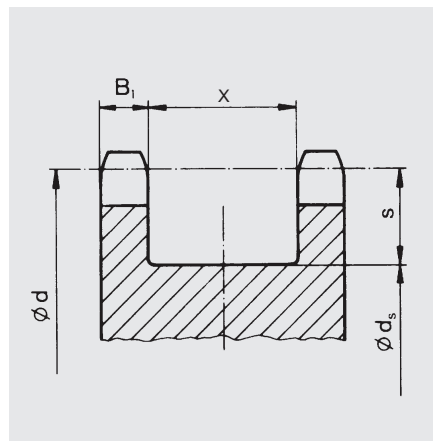
CHAIN GUIDE

iwis chain	b (mm)	h (mm)
L 88 SF	15	10
L 88 SF SB	15,5	10
M 120 SF	20	15
M 120 SF SB	21	15
M 127 SF	20	15
M 1611 SF	33	20



CHAIN WHEELS

iwis chain	Pitch p (mm)	B ₁ (mm)	X (mm)	s (mm)
L 88 SF	12,7	4	15,5	10
M 120 SF-B40	19,05	8,3	20,7	15,0
M 127 SF-B40/B43	19,05	8,3	20,7	15,0
M 120 SF-B45	19,05	10,8	20,7	15,0
M 127 SF-B48	19,05	10,8	20,7	15,0
M 1611 SF	25,4	11,6	33,3	20,5



$$d_s = d - 2s$$

$$d = p : (\sin 180^\circ : z)$$

Recommended number of teeth minimum $z = 15$

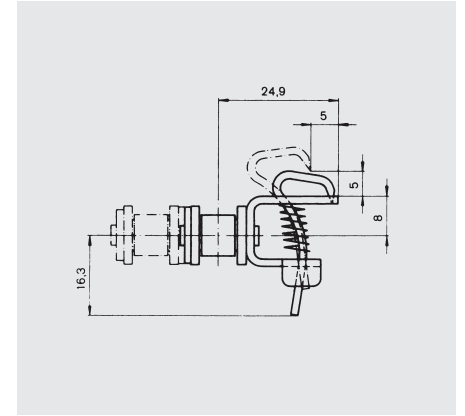
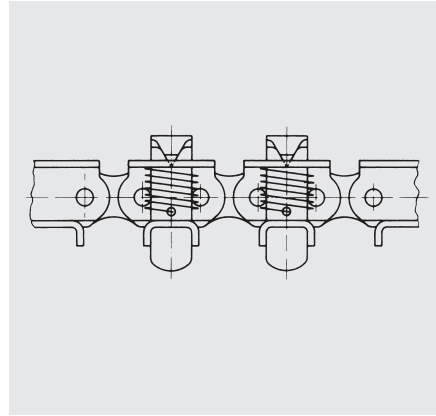
A

2.7 Grip chains

GRIPPING, CARRYING AND CONVEYING

B Chain wheels

iwis-chain no.	Pitch p (mm)	Weight q (kg/m)
Single strand chain L 85 Grip	12,7	1,15
Double strand chain D 85 Grip	12,7	1,8



Dimensions and values not given are identical to **iwis** chains L 85 SL and D 85 SL.

C Layout of chain drives

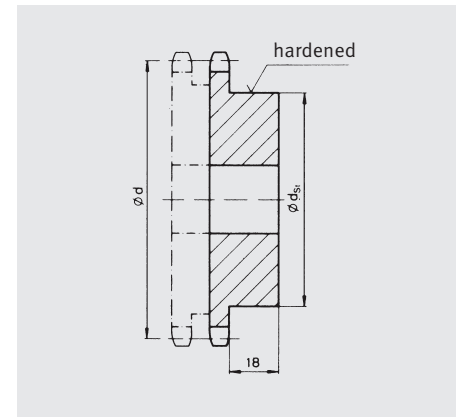
The gripper elements are mounted continuously or at defined intervals on the chain. The entire chain is corrosion-protected by nickel-plating, while the grippers themselves consist of a corrosion-resistant, hardened steel.

The gripper opens when it runs onto a control disk which can be the hardened sprocket boss. The gripper then swings outwards and permits the transported item to be loaded or unloaded.

In the standard version, the gripper is provided with a point, and it operates within U-shaped plates fitted on one side of the chain at each outer link.

The type of control disk will depend on the machine design, available space and mounting possibilities.

Detailed information is provided in a special brochure.



Example cam

D General information chain drives

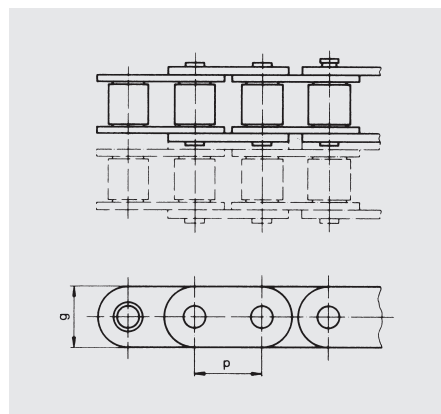
D

Chains for industrial use

2.8 Pallet transport chains

ROLLER CHAINS WITH STRAIGHT SIDE PLATES FOR TRANSPORTING COMPONENTS OR MATERIALS

E



iwis-chain no.	Pitch p (mm)	g (mm)	Breaking strength FB iwis mean (N)	Weight (kg/m)
Single strand chain M 128 AG	19,05	18,0	42.000	1,75
Double strand chain D 128 AG	19,05	18,0	84.000	3,50

The top and bottom of all link plates are straight. These form a continuous support for material being conveyed.

Dimensions and values not given are identical to those of **iwis** chains M 128 A SL or D 128 A to DIN 8188.

Other dimensions available on request.

F Automotive chain drives

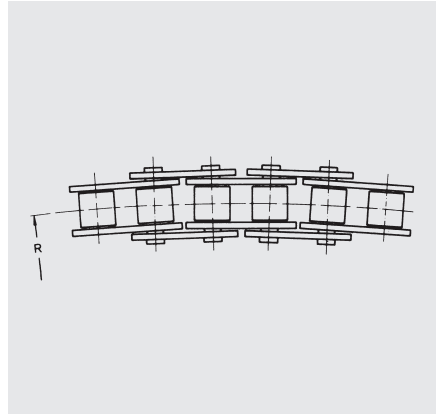
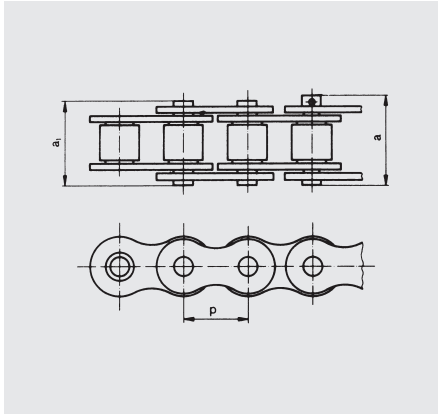
F

Conversion charts, iwis chain guideline

G

2.9 Side bow chains

TRANSPORTING, CONVEYING, DRIVING ON CURVED TRACKS



Side bow chains are constructed in the same way as roller chains to DIN 8188. They only deviate from standard dimensions in their pins and outside width.

The symmetrically conical pins with a central running surface enable the inner and outer links to run at an angle to one another which means that power can be transferred or loads carried on curved tracks.

iwis-chain no.	Pitch p (mm)	a1 (mm)	Breite außen a (mm)	Radius R (mm)	Mindestbruchkraft iwis (N)	Dauer	Max. zul. Kettenzugkraft kurzzeitig	Gewicht (kg/m)	Lieferbare Verbindungsglieder
L 85 A-SB	12,7	16,8	17,8	425	10.000	600	1500	0,65	2, 4, 8
M 106 A-SB	15,875	21,0	22,3	500	18.000	900	2500	1,00	2, 4, 8
M 128 A-SB	19,05	26,3	27,7	750	26.000	1200	3700	1,50	2, 4, 8

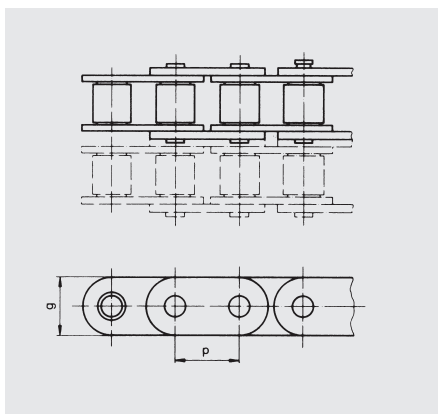
SB chains are also suitable to a limited extent for cases of use where the slanting position of the shafts determined by design factors makes slight torsion of the chains necessary.

The breaking strength of the chain and the service life to be expected are lower than with conventional chains, as the chain joint cannot be so heavily loaded due to the special pin design. Side bow chains with straight or bent connecting plates can be used as conveyor chains in many appli-

cations. The transmission of a load on a curved track requires suitable chain guides on both the driven and the drive sections of the chain – for example, cage rails of high-molecular low-pressure polyethylene.

2.10 Hollow bearing pin chains

SIMPLE FITTING OF MOUNTED PARTS AND CROSS-MEMBERS



iwis-chain no.	Pitch p (mm)	g (mm)	B (mm)	D (mm)	Breaking strength iwis (N)	Weight (kg/m)
M 128 HB	19,05	18,0	25,5	6	36.500 ¹⁾	1,23

¹⁾ Breaking strength without inserted pins 34 500 N

The main dimensions of the special sleeve chain are identical to those of iwis chain M 128 A SL to DIN 8188.

The hollow pins can be located at any pitch point or at any pitch interval. Pins of 6 mm diameter can simply be inserted into the hollow bearing pins.

A

Chain wheels

B

Layout of chain drives

C

General information chain drives

D

Chains for industrial use

E

Automotive chain drives

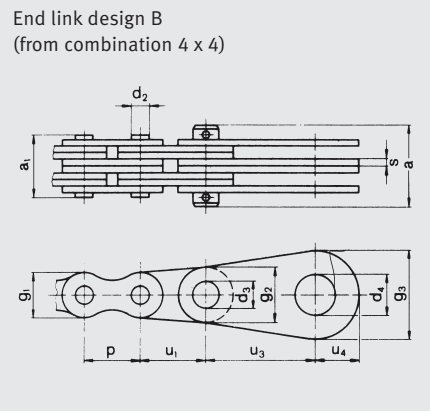
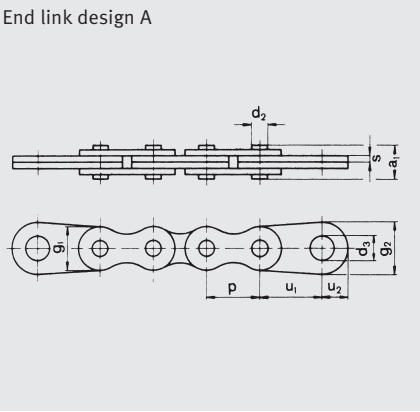
F

Conversion charts, iwis chain guideline

G

2.11 Leaf chains

LOAD CHAINS FOR LIFTING AND PULLING



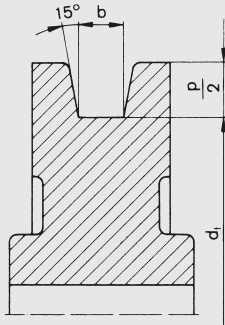
iwis-chain no.	P (Zoll)	P (mm)	Plate combination	Arrangement	Breaking load F _B iwis min (N)	Bearings area f (cm ²)	Weight q (kg/m)	Bearing pin diameter d ₂ (mm)	a ₁ (mm)	Overall width		End link dimensions								
										a (mm)	Plate height g ₁ (mm)	Plate thickness s (mm)	d ₃ (mm)	d ₄ (mm)	g ₂ (mm)	g ₃ (mm)	u ₁ (mm)	u ₂ (mm)	u ₃ (mm)	u ₄ (mm)
FL 522	-	8,0	2 x 2	≡	5.000	0,05	0,15	2,31	5,6	-	6,3	1,0	6,2	-	16,0	-	15,0	10,0	-	-
FL 523	-	8,0	2 x 3	≡	7.000	0,05	0,19	2,31	6,7	-	6,3	1,0	6,2	-	16,0	-	15,0	10,0	-	-
FL 623 ¹⁾	3/8	9,525	2 x 3	≡	10.000	0,08	0,32	3,31	8,3	-	8,1	1,2	6,2	-	16,0	-	15,0	10,0	-	-
FL 623 b ¹⁾	3/8	9,525	2 x 3	≡	20.000	0,20	0,46	3,31	10,9	-	8,2	2,0	6,2	-	-	-	-	-	-	-
FL 823 b	1/2	12,70	2 x 3	≡	28.000	0,18	0,65	4,45	12,4	-	10,8	2,0	8,2	-	18,0	-	20,0	11,0	-	-
FL 834 a	3/8	12,70	3 x 4	≡	21.000	0,17	0,42	3,68	13,1	-	9,1	1,5	8,2	-	18,0	-	20,0	11,0	-	-
FL 834 b	1/2	12,70	3 x 4	≡	42.000	0,27	0,91	4,45	16,5	-	10,8	2,0	8,2	-	18,0	-	20,0	11,0	-	-
FL 845 a	1/2	12,70	4 x 5	≡	34.000	0,24	0,67	3,68	16,9	25	9,1	1,6	8,2	12,2	18,0	25,0	20,0	11,0	30,0	15,0
FL 845 b	1/2	12,70	4 x 5	≡	52.000	0,32	1,00	4,45	19,0	25	10,8	1,8	8,2	12,2	18,0	25,0	20,0	11,0	30,0	15,0
FL 866 a	1/2	12,70	6 x 6	≡	44.000	0,36	0,88	3,68	21,7	28	9,1	1,6	8,2	12,2	18,0	25,0	20,0	11,0	30,0	15,0
FL 866 bd	1/2	12,70	3 x 3 ²⁾	≡	62.000	0,40	1,17	4,45	20,6	28	10,8	1,5	8,2	12,2	18,0	25,0	20,0	11,0	30,0	15,0
FL 1044 bd	5/8	15,875	2 x 2 ²⁾	≡	57.000	0,37	1,12	5,08	16,8	28	13,7	1,8	10,4	16,2	20,0	35,0	25,0	12,0	45,0	21,0
FL 1066 bd	5/8	15,875	3 x 3 ²⁾	≡	86.000	0,55	1,68	5,08	24,0	35	13,7	1,8	10,4	16,2	20,0	35,0	25,0	12,0	45,0	21,0
FL 1266 bd	3/4	19,05	3 x 3 ²⁾	≡	115.000	0,76	2,18	5,72	30,0	40	14,9	2,2	10,4	16,2	20,0	35,0	25,0	12,0	45,0	21,0
FL 1644 d	1	25,40	2 x 2 ²⁾	≡	157.000	1,00	2,92	8,28	28,0	40	20,8	3,0	12,2	18,2	25,0	40,0	30,0	15,0	50,0	24,0
FL 1666 d	1	25,40	3 x 3 ²⁾	≡	231.000	1,50	4,35	8,28	41,0	50	20,8	3,0	12,2	18,2	25,0	40,0	30,0	15,0	50,0	24,0

¹⁾ Straight side plates ²⁾ double

End link design A is arranged only as an inner link, which enables the connection of end link B as an outer link.

iwis leaf chains are manufactured from precision iwis chain parts to DIN 8187. The chain selection will be determined by the size and frequency of shock loading and the appropriate national lifting regulations.



EXAMPLE OF A LEAF CHAIN GUIDE ROLLER

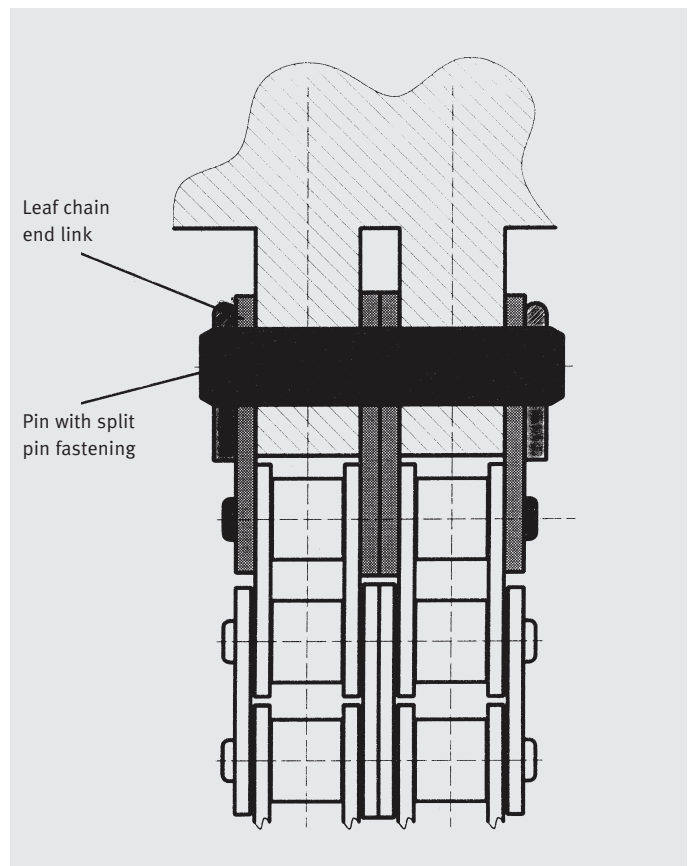
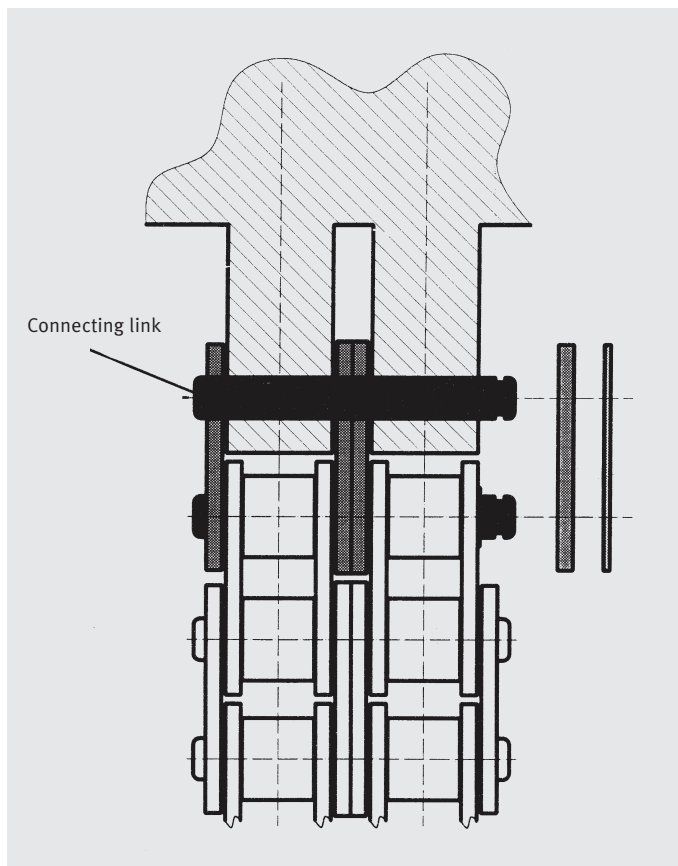
Inside width of roller:
 $b = a_1 \cdot 1,15$

Minimum diameter:
 $d_{f \min} = p \cdot 5$

Use the largest possible diameter.

Special applications – fastening of roller chains

iwis-roller chains can also be used as load chains. Roller chain connecting links (spring clip links) or leaf chain end links are examples of fastening possibilities.



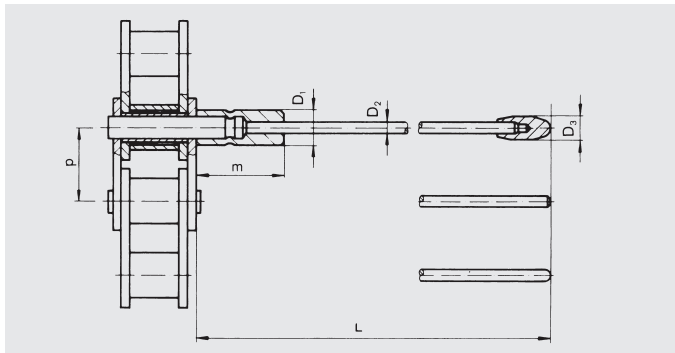
2.12 Tube or can conveyor chains

CAREFUL TAKE-UP AND TRANSPORTATION OF THIN-WALLED HOLLOW ARTICLES

The field in which these conveyor chains are most frequently used is in the production of tubes and cans. These hollow articles, which are usually light, thin-walled and sensitive, must run through numerous processing stations and are there cleaned, lacquered, dried, packed and so on. These items are conveyed in large quantities at high speed over long transportation paths. Depending on the individual process, other stresses are strong contamination and temperature influences.

In the **production of tubes** as a rule high-performance roller chains with pitches between 1/2" and 1" are used. The hollow articles are taken up by spring steel pins whose spacing and length will depend on the size of the work-piece. The spring steel pins are pressed onto extended bearing pins and secured against rotation. The shape of the pin end can be made to match requirements. In the case of repairs it must be possible to replace the pin easily and rapidly. A special tool is available for chains L 85 SL, M 106 SL and M 127 SL.

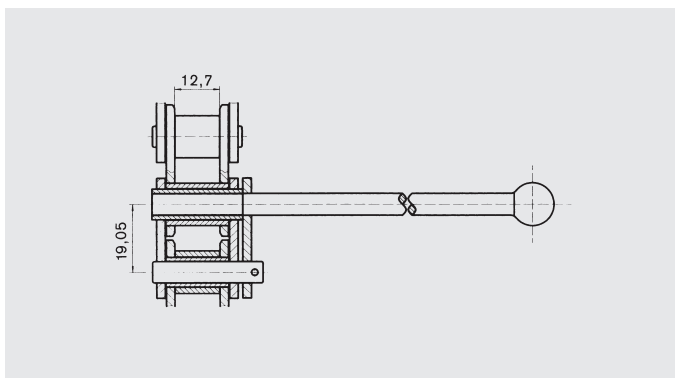
iwis-chain no.	Pitch p (mm)	L max.	D ₁	m	D ₂	D ₃
L 85 SL	12,7	300	8,0	22,0	3,5	7,0
M 106 SL	15,875	300	8,0	22,0	4,0	8,0
M 127 SL	19,05	300	8,0	22,0	4,0	8,0
M 1611	25,4	300	12,0	30,0	4,0	8,0

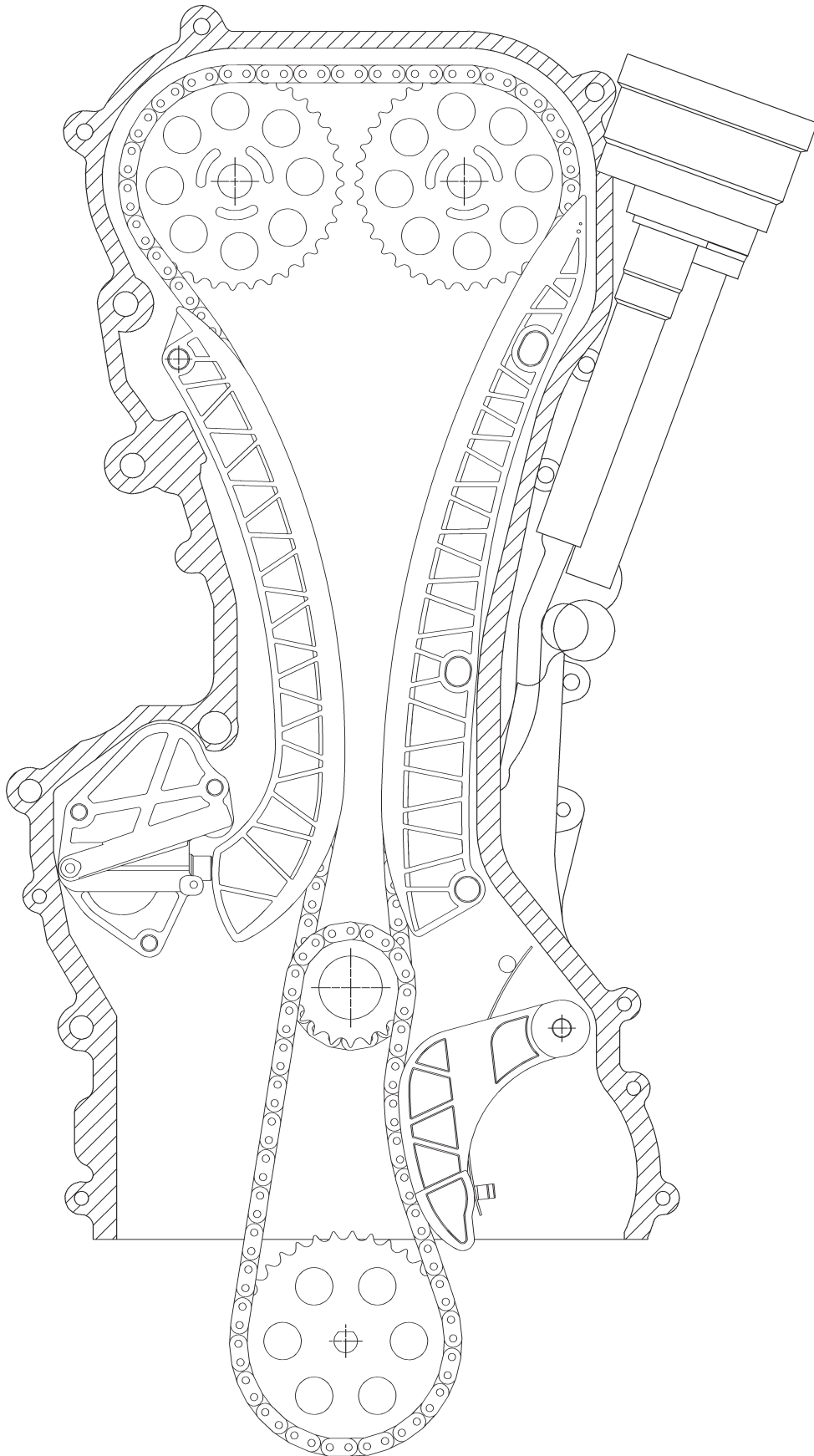


In the **production of cans**, a high-performance 3/4 x 1/2" roller chain to DIN 8188 is to be preferred which is fitted with hollow pins at the straight attachment fastening points (M 128 HB).

Here predominantly solid pins are inserted into the hollow pins at defined intervals and secured against rotation by means of screws, splints or other special fittings. Depending on the items being conveyed, the pins are available in various lengths and shapes.

EXAMPLES





iwis simplex chains for timing and oil pump drives in a 3-cylinder-DOHC-engine

A

iwis Chain wheels

B

Layout of
iwis chain drives

C

General information
iwis chain drives

D

iwis Chains for
 industrial use

E

iwis Automotive
 chain drives

F

Conversion charts,
 iwis chain guideline

G

A

Chain wheels

Amongst the various applications for chain drives the engine and gear design covering vehicles and stationary equipment require particularly high levels of precision, performance, and durability.

In the course of many decades roller and bush type chains of certain standard dimensions have proved to be particularly suitable.

iwis have influenced the development in this sector from the very beginning and have become leaders in this field.

B

Layout of chain drives

iwis Programme:

This comprises a number of single and double chains designed as roller or bush chains. Each one of these types has certain characteristics which make them particularly suitable for certain applications. New types are being developed in conjunction with new engine developments. The best materials and precision production processing together with the highest quality standards ensure a timing chain that will satisfy the demanding requirements of today's high performance engines.

Higher engine loads and operating speeds, along with new extremes of torsional vibration and temperatures make it essential to utilize a timing chain that combines high strength and low wear elongation. This will result in more precise camshaft timing as well as reducing timing variation over the life of the engine. The table on page 70 shows a summary of roller and bush chains for engines.

C

General information chain drives

Characteristics and typical applications of selected types of chains

D

Chains for industrial use

	Characteristics:	Principal applications:
7 mm x 2/16" – G 44 H – 8 mm x 3/16" – G 53 H / D53H – bush chains	Single bush chains, 8 mm pitch, large bearing pin diameter, large bearing area. Standard gearing as with 8 mm roller chain.	Reduced weight due to small pitch, compared with 3/8" chain, thus reduced centrifugal force and impact speed. Particularly suitable for drives with high speeds (e.g. mass balancing) or as timing chains on small engines (motorcycles) or drive chains for auxiliary equipment.

E

Automotive chain drives

8 mm x 5/16" – Z 53 R – 6,35 mm x 5/16" – Z 46 – inverted tooth chain (silent chain)	Acoustic optimized inverted tooth chain with 8 mm pitch. Chain sprockets with special toothing.	timing drives with an optimized acoustic demand
3/8 x 7/32" – G 67/G 68/D 67 – roller chains	Single and double roller chains, type G 68 with increased bearing area compared with G 67.	Timing drives, oil pump drives, drives for auxiliary equipment, gearbox chains. G 68 is used increasingly as a replacement of double roller chains of a similar pitch.

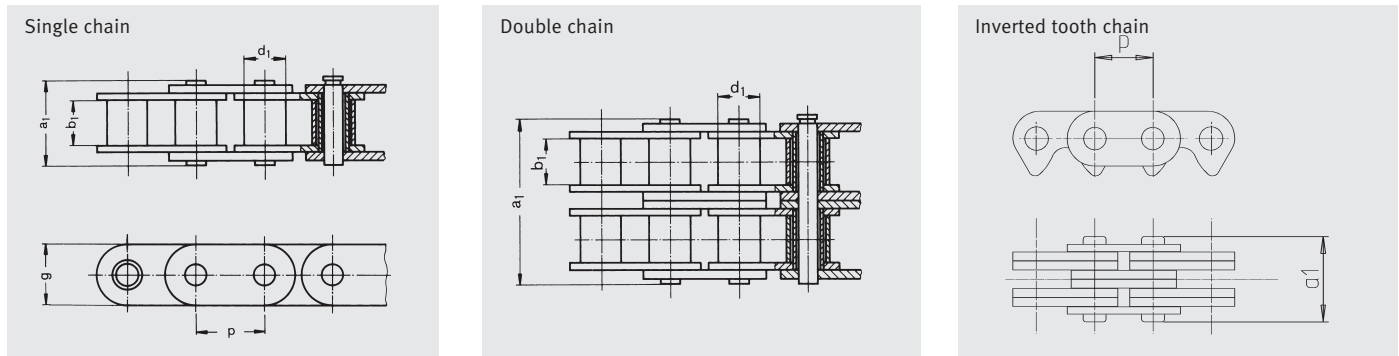
F

Conversion charts, iwis chain guideline

3/8 x 7/32" – G 67H/D 67 H – bush chains	Single and double chains, bush type for standard chainwheels as used for 3/8" roller chains. Large bearing pin diameter, large bearing area.	Heavy duty drives, e.g. Diesel engines with a highly impulsive load.
---	--	--

G

Dimensions



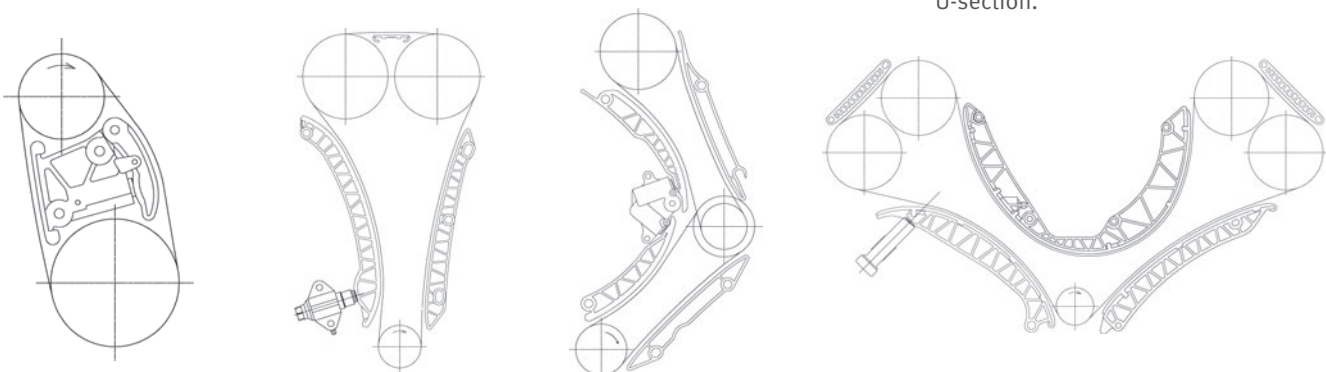
iwis-chain no.	Designation: pitch x inner width	DIN ISO Nr.	Zoll	Pitch p		width		roller/bush d1 (mm) max.	height of plates	bearing area f (cm ²)	chain weight q (kg/m)	iwis-breaking load F _B (N)
				mm	inside b1 (mm) max.	outside a1 (mm) max.						
Single chains												
G 44 H ^{1) 2)}	7 mm x 2/16"	-	-	7,000	3,5	9,9	4,00	6,8	0,165	0,26	7000	
G 53 H ^{1) 2)}	8 mm x 3/16"	-	-	8,000	4,76	11,8	5,00	7,60	0,25	0,34	9000	
G 67	3/8 x 7/32"	06 B-1	3/8	9,525	5,72	12,9	6,35	8,26	0,28	0,41	12000	
G 68 ²⁾	3/8 x 7/32"	-	3/8	9,525	5,72	14,0	6,35	8,26	0,32	0,44	12500	
G 68 H ^{1) 2)}	3/8 x 7/32"	-	3/8	9,525	5,5	13,9	6,35	9,60	0,47	0,59	14000	
Double chains												
D 53 H ^{1) 2)}	8 mm x 3/16"	-	-	8,000	4,76	20,9	5,00	7,60	0,49	0,62	12000	
D 67	3/8 x 7/32"	06 B-2	3/8	9,525	5,72	23,4	6,35	8,26	0,56	0,78	19000	
D 67 H ^{1) 2)}	3/8 x 7/32"	-	3/8	9,525	5,5	23,7	6,35	9,60	0,76	0,89	19000	
Inverted tooth chain												
Z 53 R ²⁾	8 mm x 5/16"	-	-	8,000	-	11,7	-	-	0,15	0,45	17000	
Z 46 ²⁾	6,35 mm x 5/16"	-	-	6,350	-	10,9	-	-	0,15	0,37	11500	

1) Bush type chains 2) **iwis** standard

Chain drives used on combustion engines are subjected to an inherent sequence of unequal loads. In addition to the engine characteristics, the number of cylinders, arrangement of drive components and the type and number of auxiliary drives are factors of significance.

By using tensioning and guide elements which are carefully designed to the relevant engine, it is possible to optimize the life of the chain drive to match that of the engine without requiring any additional maintenance, apart from the specified engine maintenance.

Simple rails made of plastic or metal with plastic or rubber linings are used as guides, depending whether the chain track is straight or curved. If there is a danger that the chain may be subjected to lateral oscillations, rails with lateral guides are used, which guide either between the inner link plates or enclose the chain in a U-section.



A

Tensioning elements

The **tensioners** have a number of functional characteristics which are available in a combination to suit the application.

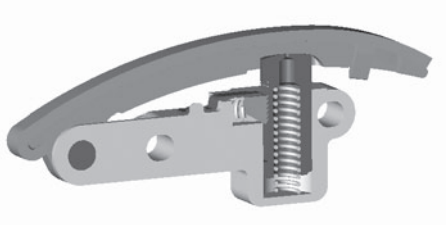
These are:

- Effort created by mechanical spring
- Effort created by oil pressure, which also acts as a damper
- Damping by oil supplied without pressure. Non-return valve
- Lubrication hole in the tensioning pad for chain lubrication and aeration
- Nonreturn mechanism to limit the reverse travel
- Device to return the tensioner without the need to dismantle.
- Tensioner with rubber pad for direct contact with chain
- Double piston for simultaneous tensioning/damping of several chains

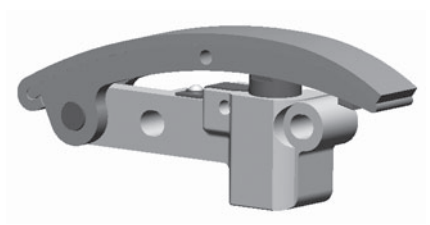
B

EXAMPLES:

C

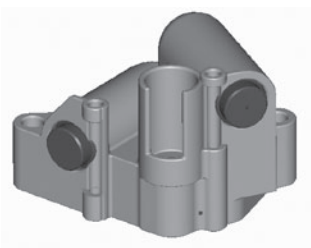


Tensioning effort by means of spring, oil pressure damping and non-return mechanism
Splash hole for chain lubrication

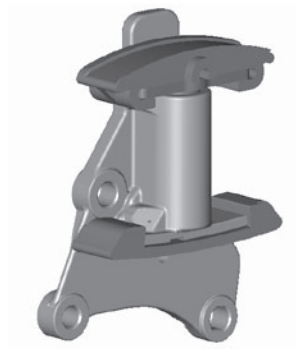
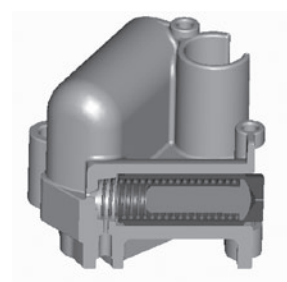


Tensioner with non-return mechanism and piston resetting mechanism, oil pressure damping

D

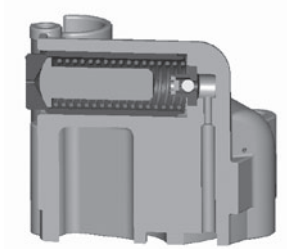


E



Type for tensioning/guide rail

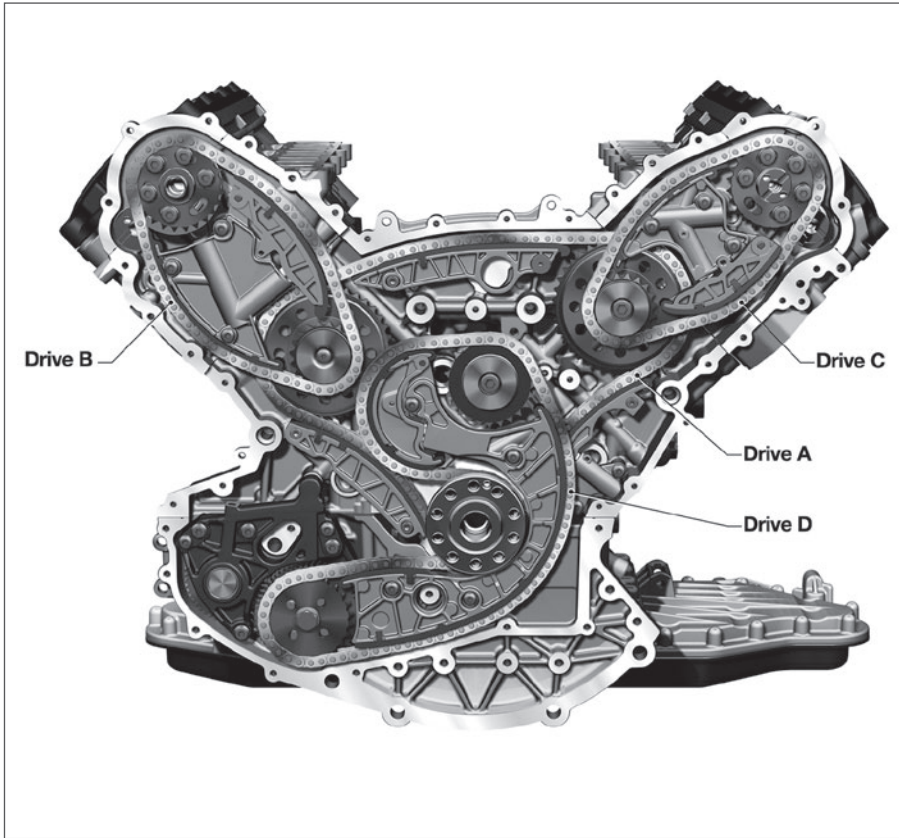
F



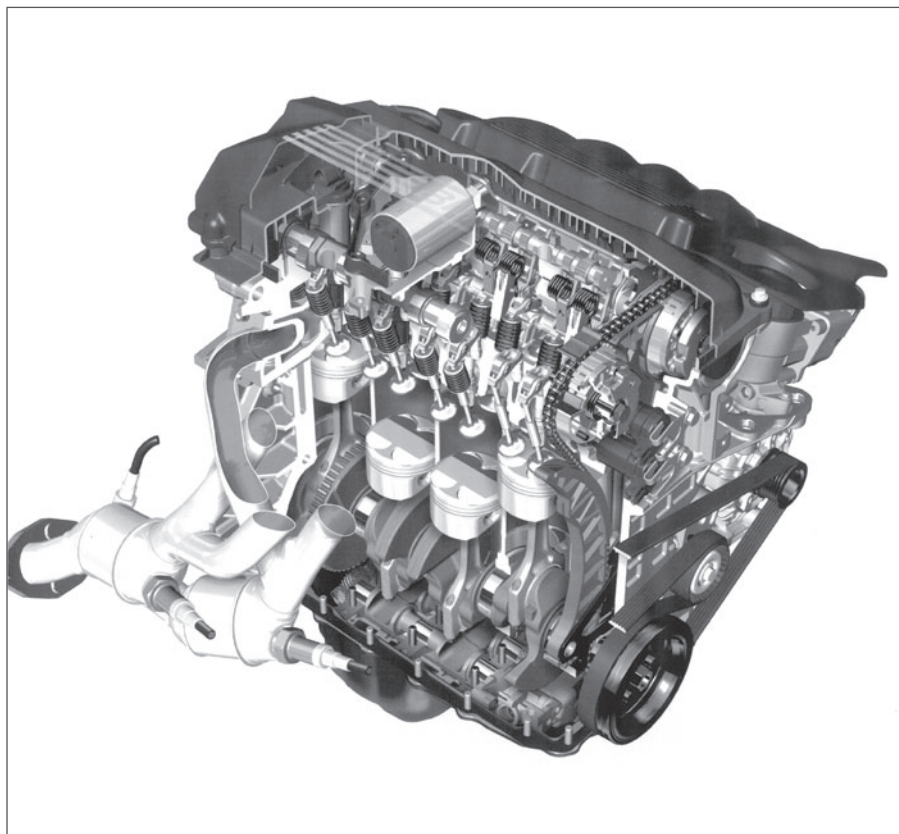
Double piston type for direct tensioning of two chain sections.
Oil filled, non-return valve



With pressure pin to operate articulating tensioner or guide rail. Fitted in engine casing



Cam shaft timing with **iwis** chains in a V8-engine



Cam shaft drive with **iwis** simplex chain in a 4-cylinder-DOHC-engine

New chain types

Over the past years, the main requirements for chains focused on minimum elongation throughout the vehicle's life cycle and high strength. Recently, however engine designers have expressed a further wish for reduced noise emission and improved chain dynamics.

This new demand arises from the realization of smoother combustion processes due to new injection technology and the reduction in noise emission from accessory drives in the combustion engine, through which the timing chain drive is being perceived to a greater extent as a source of noise.

In response to these demands, two new chain generations have been developed and are represented by the **iwisUPREME** and **iwistar** versions. Both chains combine standard **iwis** chain characteristics with additionally optimised acoustic and dynamic performance.

iwisUPREME

Due to their kinematics characteristics, inverted tooth chains in particular, display major potential for an improvement in dynamic and acoustic performance. Whereas inverted tooth chain drives have proven their performance for many years in timing chain drives with less dynamic loading, up to present it has not been possible worldwide to implement them on engines with challenging dynamic demands (e.g. diesel engines) due their greater chain elongations in comparison to bush and roller chains.

The **iwisUPREME** version is based on the operating principle of an inverted tooth chain (see figure 1). By optimising the kinematical motion sequence at the chain

infeed and outfeed, the infeed pulse and irregularity of motion and power transmission (chordal action) could be reduced. Extensive engine trials indicated an improvement in chain dynamics as well as in acoustic performance. The link plate contour was designed so that even very small teeth numbers of 18 on the smallest chain sprocket could be achieved, which has a very positive effect on the demand of radial design space.

A bush was integrated in the inner link of the tooth link plates to improve the wear and tear characteristic. Whereas on conventional inverted tooth chains the articulated movement takes place between the tooth link plate and the pin at the

chain sprocket infeed and outfeed, on the **iwisUPREME** version, the interaction between bushing and pin is analogous to that of bush and roller chains. The design-related improvement in tribological conditions is reflected in perceptibly lower wear and tear values in comparison to conventional inverted tooth chains and permits even implementation in diesel engines. Due to the compact design of inverted tooth chains, in which a greater number of transmitting link plates can be featured in comparison to roller and bush chains, a significant benefit in terms of strength can also be observed on the **iwisUPREME**.

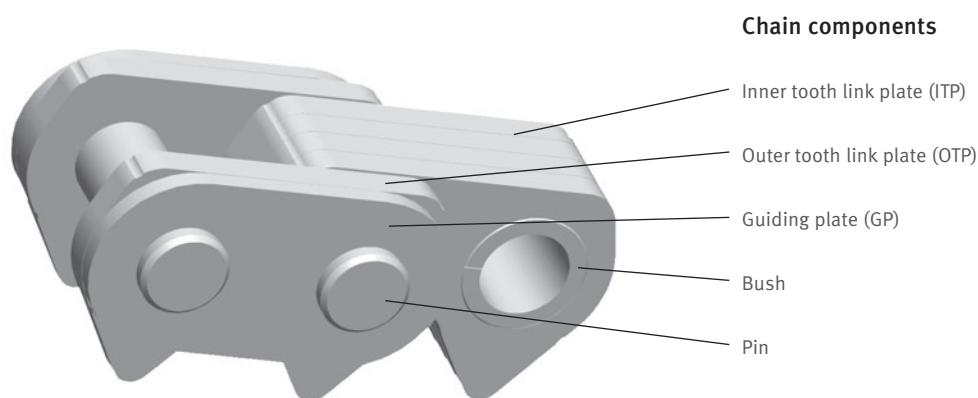


Figure 1: Design of the **iwisUPREME** chain variant

New chain types

iwistar

The inner dynamics of a chain drive and acoustic behaviour perceived by the customer are mainly determined by the polygonal effect of chains that increases as the number of teeth on the chain sprocket decreases.

The **iwistar** variant was developed on the basis of proven bush and roller chains with the objective to improve the dynamics and acoustic performance (see figure 2).

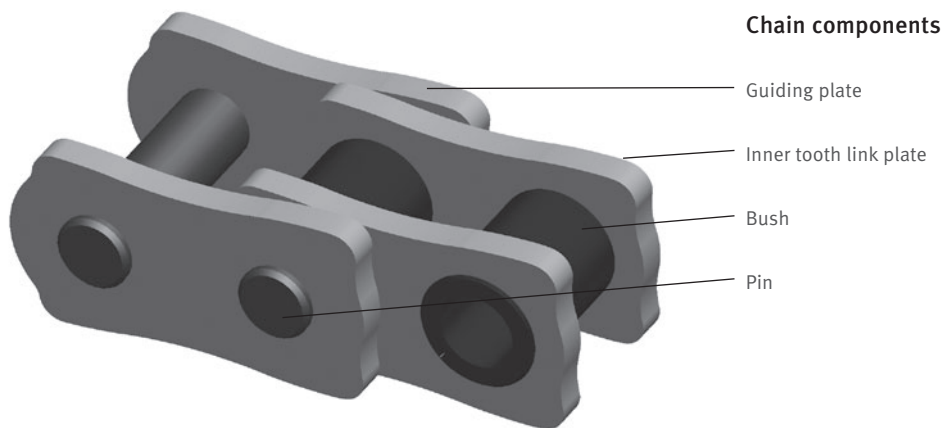


Figure 2: Design of the **iwistar** chain variant

In order to reduce the unevenness at chain infeed and outfeed, the chain rests on a supporting ring by its specially shaped outer and inner link plates (see figure 3). As it runs into the chain sprocket, the chain is lifted by the interaction of link plate contours and supporting ring.

The design of the geometry of the link plate contours intends the inner tooth link plate to roll off the supporting disc while the chain wheel turns and at the same time, the lifting of the chain is counteracted by the engagement of the chain sprocket.

As such, the polygonal effect can be almost completely eliminated and smooth chain running assured.



Figure 3: Chain infeed motional sequence

By implementing the **iwistar** variant, a perceptible reduction in inner chain excitation and an improvement in acoustic performance can be achieved.

As the wear and tear and strength values of the **iwistar** variant are identical to that of standard bushing chains, users can implement the chains without any restrictions.

Both newly developed variants, **iwisUPREME** and **iwistar**, are available in pitches of 7 mm, 8 mm and 9.525 mm. The main geometrical dimensions have been selected so that when converting a bush or roller chain drive, there is no need to replace the rails.

A

iwis Chain wheels

B

Layout of
iwis chain drives

C

General information
iwis chain drives

D

iwis Chains for
industrial use

E

iwis Automotive
chain drives

F

Conversion charts,
iwis chain guideline

G

A

Conversion chart

Chain wheels

B

Layout of chain drives

C

General information chain drives

D

Chains for industrial use

E

Automotive chain drives

F

Conversion charts, iwis chain guideline

G

Inch (") in mm						English feet (ft) to cm		PS to kW		kW to PS	
Inch	Inch	mm	Inch	Inch	mm	Fuß	cm	PS	kW	kW	PS
1/32	0,031	0,794	13/16	1	20,637	1,0	30,5	1,0	0,73	1,0	1,36
1/16	0,062	1,587	27/32	0,844	21,431	1,1	33,5	1,5	1,10	1,5	2,04
3/32	0,094	2,381	7/8	0,875	22,225	1,2	36,6	2,0	1,47	2,0	2,72
1/8	0,125	3,175	29/32	0,906	23,019	1,3	39,6	2,5	1,83	2,5	3,4
5/32	0,156	3,969	15/16	0,937	23,812	1,4	42,7	3,0	2,20	3,0	4,08
3/16	0,187	4,762	31/32	0,969	24,606	1,5	45,7	3,5	2,57	3,5	4,76
7/32	0,219	5,556	1	1	25,4	1,6	48,8	4,0	2,94	4,0	5,44
1/4	0,25	6,35	1 1/32	1,031	26,194	1,7	51,8	5,0	3,67	5,0	6,8
9/32	0,281	7,144	1 1/16	1,062	26,987	1,8	54,9	6,0	4,41	6,0	8,16
5/16	0,312	7,937	1 3/32	1,094	27,781	1,9	57,9	7,0	5,14	7,0	9,52
11/32	0,344	8,731	1 1/8	1,125	28,575	2,0	61,0	8,0	5,83	8,0	10,88
3/8	0,375	9,525	1 5/32	1,156	29,369	2,5	76,2	9,0	6,61	9,0	12,24
13/32	0,406	10,319	1 3/16	1,187	30,162	3,0	91,4	10,0	7,35	10,0	13,6
7/16	0,437	11,112	1 7/32	1,219	30,956	3,5	106,7	11,0	8,09	11,0	14,96
15/32	0,469	11,906	1 1/4	1,25	31,75	4,0	121,9	12,0	8,82	12,0	16,32
1/2	0,5	12,7	1 9/32	1,281	32,544	4,5	137,2	13,0	9,56	13,0	17,68
17/32	0,531	13,494	1 5/16	1,312	33,337	5,0	152,4	14,0	10,30	14,0	19,04
9/16	0,562	14,287	1 11/32	1,344	34,131	10,0	304,8	15,0	11,03	15,0	20,4
19/32	0,594	15,081	1 3/8	1,375	34,925	15,0	457,2	16,0	11,76	16,0	21,76
5/8	0,625	15,875	1 13/32	1,406	35,719	20,0	609,6	17,0	12,5	17,0	23,12
21/32	0,656	16,669	1 7/16	1,437	36,512	25,0	762,0	18,0	13,23	18,0	24,48
11/16	0,687	17,462	1 15/32	1,469	37,306	30,0	914,4	19,0	13,97	19,0	25,84
23/32	0,719	18,256	1 1/2	1,5	38,1	35,0	1066,8	20,0	14,70	20,0	27,20
3/4	0,75	19,05	1 3/4	1,75	44,45	40,0	1219,2	25,0	18,38	25,0	34,0
25/32	0,781	19,844	2	2	50,8	50,0	1524,0	50,0	36,76	50,0	68,0

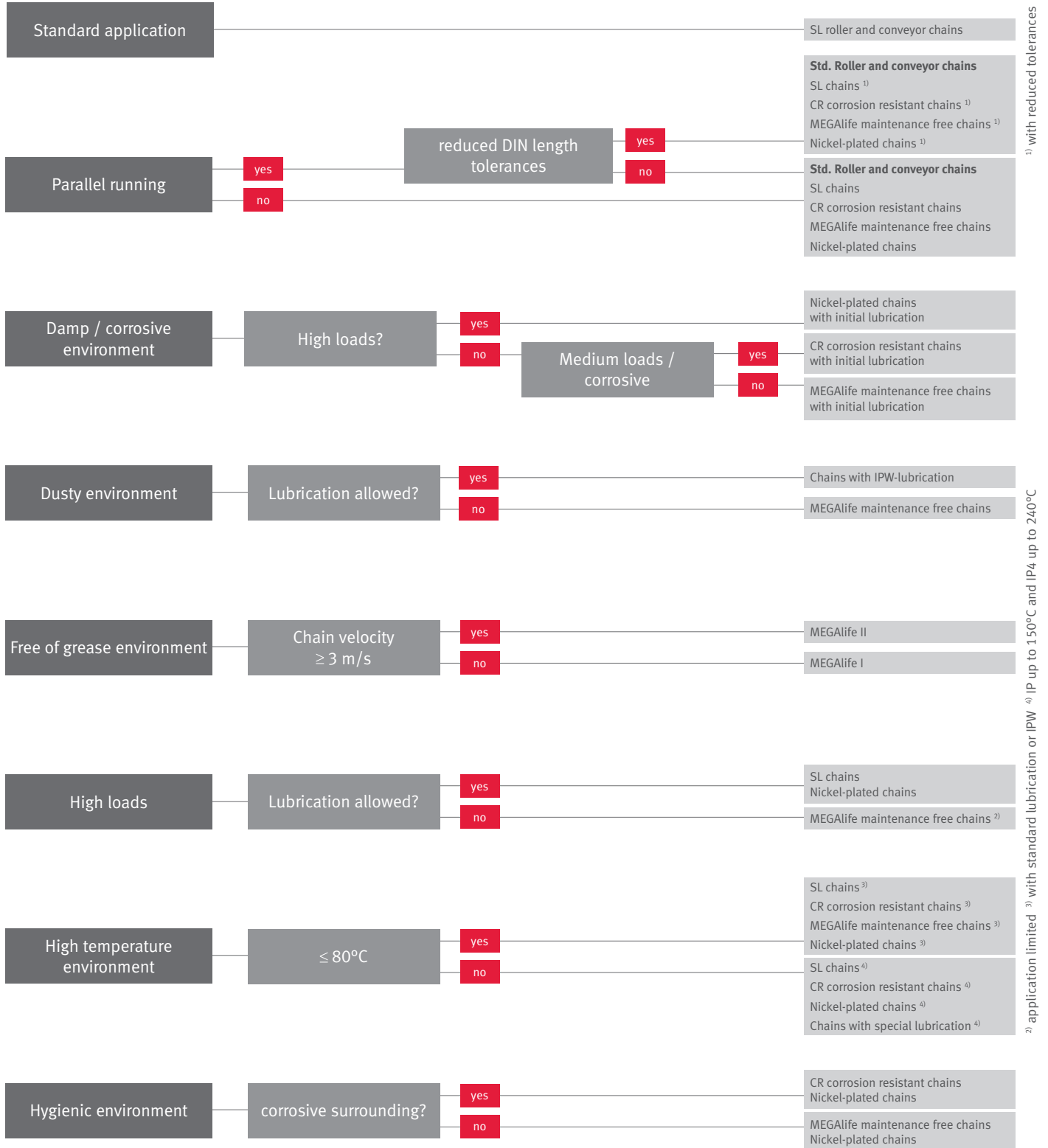
1" english = 25,399956 mm
1" american = 25,40005 mm
1 lb = 0,454 kp
1 kp = 2,205 lb
1 PS = 0,98 HP
1 HP = 1,014 PS

1 m/s = 196,8 ft/min
1 m/s = 3,28 ft/s
1 m/s = 3,6 km/h
1 km/h = 0,278 m/s
1 ft/s = 0,305 m/s

1 inch = 0,0833 feet = 0,0278 yard
1 foot = 12 inch = 0,333 yard
1 yard = 36 inch = 3 feet

iwis® chain guideline for industrial applications

Which application demands which chain type?



A

iwis Chain wheels

B

Layout of **iwis** chain drives

C

General information **iwis** chain drives

D

iwis Chains for industrial use

E

iwis Automotive chain drives

F

important detail! The following guidelines support you in choosing the right chain. However, please note that each application is individual. The result should in no case serve as a basis for your order.

Therefore please refer to our professional employees who are happy to submit an individual order to you. We do not assume any guarantee or liability.

A

iwis® Questionnaire for chain drives

Chain wheels

Enquiry from: _____ Date: _____
 Address: _____ Dealt with by: _____
 Telephone: _____

B

Layout of chain drives

Drive (input)

Electric, hydraulic, pneumatic combustion engines/motors (2, 4 or 6 cyls)?
 Power output? kW
 RPM? min⁻¹
 Max. torque? at n = min⁻¹ Nm
 Continuous power or peak power?
 Speed constant, varying or impulsive?
 Operating time, cyclic operation?
 Are shock absorbing transmission-elements present (friction clutch)?

C

General information chain drives

Output

Type of driven machine?
 RPM? min⁻¹
 Power requirement? for starting - normal running - max. kW
 Load even, varying or impulsive?
 Direction of rotation continuous or alternating? (show in diagram)

D

Chains for industrial use

Chain drive

Centre distance mm
 Does the design allow the centre distance to be modified? ±
 Possibility to provide tensioner? (adjustability, idler, chain guide)
 Could the centre distance alter in service? e.g. rear wheel suspension on a motorcycle
 Required or current ratio respectively?
 Shafts horizontal or vertical?
 Can the drive be protected against dirt and dust or can it be enclosed?
 What type of lubrication is possible? (manual, drip, oil bath, pressure)
 External factors? (temperature in °C, dust, moisture, fibres)

E

Automotive chain drives

Chain

Chains planned or existing drive?
 Is the chain replacing an existing drive?
 Max. permissible chain width? mm

F

Conversion charts, iwis chain guideline

Chain wheels

No. of teeth? z₁ = z₂ =
 Max. permissible outside diameter, incl. chain? mm
 Chain wheel as a disc or with hub, predrilled or with finished bore?

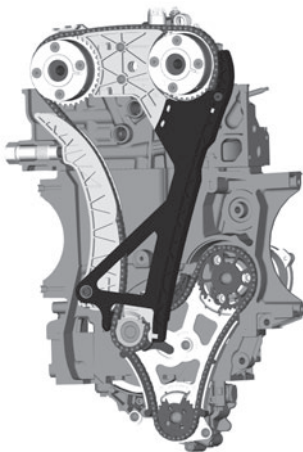
The iwis group

iwis – Joh. Winklhofer Beteiligungs GmbH & Co. KG is a medium sized company group in the automotive supply industry and drive technology industry for general engineering. The following divisions are part of the Company:

iwis motorsysteme GmbH & Co. KG

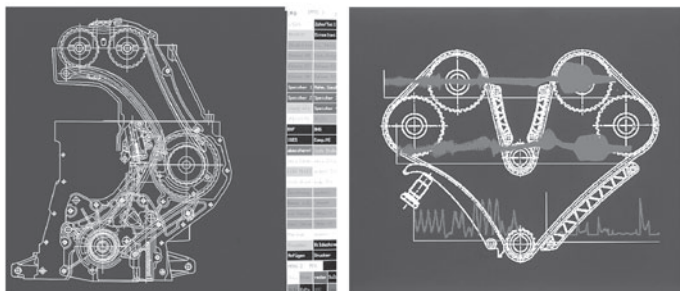
System supplier to the automobile industry

Over the course of time, the subsidiary firm specializing in automobile applications established a reputation within Germany as a leading global system supplier. Apart from the production of control chains and chain tensioners, iwis is a global supplier of control systems and systems for camshafts, mass balancing and oil pumps. iwis chain drive systems run for long periods in millions of petrol and diesel motors without the need for servicing. In accordance with the needs of the client, the control assembly module is developed and produced from the appropriate 'building block' components (the control chain, chain tensioners, guidance rails and the sprocket). Due to the depth of production experience with chains and distinct expertise – especially in the field of chain tensioners and chain drive modules – iwis is able to guarantee consistently high levels of quality in large scale production.



Research and development

Research and development offers engineering support for timing drives, compensation and oil pump systems, as well as for drive systems for general engineering. We work with our customers during the development phase, accompanying them right through to being ready to go into production. Simultaneous engineering is guaranteed at all times by special test rigs and modern design and calculating methods. This ensures the most rapid reaction times in the joint development process.



iwis antriebssysteme GmbH & Co. KG (München)

Dynamic drive systems for winners

The subsidiary responsible for industrial applications supplies iwis drive systems, precision chains, sprocket wheels and chain tensioner products for drives and material handling for a wide range of industrial applications. The all round product range includes roller chains, conveyor chains, maintenance free MEGAlife chains, corrosion resistant CR chains, power and free conveyor chains, special conveyor chains, chain guides, sprocket wheels, chain tensioners, tools and the necessary chain lubricants. Our strength is producing chains far over the DIN standard in extremely tight length tolerances. As a systems supplier in drive technology we offer innovative and customer specific solutions to problems.

iwis antriebssysteme GmbH (Wilnsdorf)

The work of a whole series of specialists

iwis antriebssysteme GmbH, Wilnsdorf (formerly Flexon) has been actively in the business of drive technology and conveyor systems since 1980 and in doing so, has consistently orientated its range to match the needs of its customers. Today we supply a comprehensive, highly differentiated range of products from high quality chains and sprockets through to accessories for all applications. Apart from our product's high level of quality and reliability, industry and agriculture (and many other sectors besides) especially benefit from the services we provide.

The ELITE and FLEXON brandnames represent the values we stand for. Our flexibility ensures you the best possible solutions, even in the case of demanding and difficult tasks. We can be sure of this as it is backed up by the combined expertise of our many specialists in fields of development, production, quality control, sales and service. Just taking the field of development alone, the close partnership that we share with TU Chemnitz (an institution, which in the field of drive technology and conveyor systems, is internationally seen as one the leading scientific centres) is exemplary within the sector and a decisive factor in the technological standards of our products.

iwis agrisystems (Sontra)

The centre for agricultural expertise

As agricultural machinery is practically always located outdoors, the chains used in them are directly exposed to adverse influences such as dust and dirt as well as cold and wet conditions. Apart from this, their reliability is consistently put to the test after long periods of non-operation in winter. In view of this, we are especially proud of being able to claim a leading market position in the business of agricultural chains. On the one hand, this is thankfully attributed to their robust design and on the other hand, their availability.

The range of products and brands that make up iwis drive systems

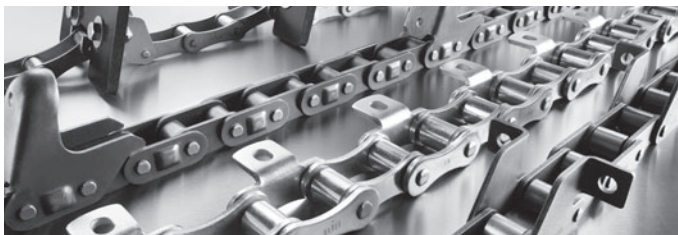
JWIS



High performance precision chains for all industrial sectors

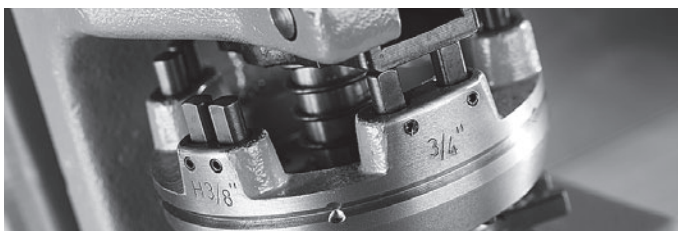
In the field of drive technology and conveyor systems, iwis supplies recognised top quality products for a whole range of industrial applications. Our strength lies in producing the chains with extremely close length tolerances that go way beyond the DIN standard. As a system supplier, we offer innovative and tailored solutions related to drive technology. We work to ensure that the benefits to the customer take centre stage.

iwis agrisystems: ELITE



Chains for agricultural applications

The iwis range comprises chains and complete kits for nearly all types of agricultural machines which are established around the world. For many years now we have been supplying to original equipment manufacturers as well as the market for spare parts. Today we are a market leader in chains for agricultural applications. By placing an emphasis on the highest technical and logistical abilities, we are able to immediately supply urgent spare parts during the harvest season.



Accessories

iwis rounds off its extensive range of products with a wide selection of accessories. The range includes (among other things) chain tensions, guidance rails, tools (e.g. stud pulling machines (see photo above) and lubricants.

ELITE



Top quality roller chains

The elite roller chain range offers high performance and operational reliability which doesn't just fulfil ISO standards, DIN and ANSI, but also attains top marks when it comes to creep resistance. The comprehensive family of products and the possibility of developing special designs open up an unlimited range of applications from industrial plant to use in clean rooms. Careful preparation on modern production lines, quality materials and optimum heat treatment guarantee a high level of resistance to creep as well as wear and tear. After installation, all chains are pre-stretched: The guarantee for low level run-in stretching!



FLEXON flat top chains and modular belts

Our maxxTop flat top chains in plastic and/or stainless steel and our maxxBelt modular belts represent the perfect solution for your transport operations. Whether in the drinks industry, in packaging plants or in other industries, our FLEXON chains are used everywhere where level transfer surfaces are required. With expertise and commitment we meet the diverse needs of our customers and in doing so, ensure strict compliance with the quality level of our products and services.



Sprockets

iwis has a wide range of standard sprockets in stock. Special designs are also available quickly – bore holes and grooves will be finished to meet your needs.

A

B

C

D

E

F

G

H

I

J

iwis Chain wheels

Layout of iwis chain drives

General information iwis chain drives

iwis Chains for industrial use

iwis Automotive chain drives

Conversion charts, iwis chain guideline

90 years success history iwis

- 1916** → Company founded by the councillor of commerce Johann Baptist Winklhofer
- Following this, the production of ignition devices in a disused factory.
- Among other things, bicycle chains were also produced after the 1st World War.
- 1933** → Dr. Rudolph and Otto Winklhofer, sons of the company's founder, join their father's company.
- 1939** → Incorporation of timing chains into the product range and becoming BMW and Skoda's supplier.
- 1972** → Starting to supply chain tensioners.
- 1975** → Graduate engineer Gerhard Winklhofer takes over the management role in the 3rd generation.
- 1988** → iwis successfully passes the first audit for quality.
- 1990** → iwis receives the first order from the automobile industry to deliver a complete system.
- 1991** → iwis receives the Q1 award from Ford and is certified the DIN ISO 9002.
- 1992** → iwis successfully passes the first VDA-6 audits. (VDA is the Association of German Automobile Manufacturers)
- 1993** → orwis ketten in Strakonice is founded as an independent company in the Czech Republic.
- 1994** → DIN ISO 9001 certification.
- 1996** → iwis is awarded the Bavarian Prize for Quality (Bayerischen Qualitätspreis).
- 1997** → iwis fulfils the conditions of the EC Eco-Audit Regulation for environmental stewardship.
- 1998** → iwis is awarded the Prize for Environmental Awareness for the City of Munich.
- 1999** → Johannes Winklhofer, graduate businessman, takes over the management role in the 4th generation.
- Certification QS 9000, DIN EN ISO 14001, DIN ISO 9001:2000
- 2000** → Opening of the modern factory in Landsberg.
- In 2000, the EC Eco-Audit Regulation was successfully recertified.
- 2001** → VDA 6.1 certification.
- 2002** → ISO TS 16949 certification.
- DIN EN ISO 14001 recertification (Munich factory).
- DIN EN ISO 14001 certification (Landsberg factory).
- iwis receives the Bayerischer Qualitätspreis 2002 and the Bayerischer Frauenförderpreis 2002.
- 2004** → Factory 3 which is based in Landsberg wins the "Location Champion" award in the "Factory of the Year" competition.
- 2005** → iwis is the overall winner in the "Factory of the Year" competition.
- Extension to the certificate for the 'career and family' audit by the Hertie foundation (for family friendly staffing policies).
- 2006** → iwis celebrates their **90th anniversary** and is listed under Bavaria's Top 50 companies.
- Aquisition of the Flexon GmbH.
- iwis makes the drive systems division independent
- iwis takes over the Flexon group
- 2007** → Listed on the "Top 100" List of the best German employers of medium-sized businesses.
- Establishment of a Holding structure
- 2008** → TOP employer - Automotive 2008/2009
- iwis drive systems, LLC is awarded the ACHIEVING EXCELLENCE PARTNERSHIP AWARD 2008 by John Deere for excellent partnership
- 2009** → "Engine of the year 2009" award – 7 out of the 9 motors which are awarded prizes feature iwis chain control assemblies
- ACHIEVING EXCELLENCE AWARD 2009 – iwis drive systems, LLC and iwis antriebssysteme GmbH, Sontra (agrisystems) are awarded prizes by John Deere for excellent partnership



A

iwis Chain wheels

B

Layout of **iwis** chain drives

C

General information **iwis** chain drives

D

iwis Chains for industrial use

E

iwis Automotive chain drives

F

Conversion charts, **iwis** chain guideline

G



High precision chains



Chain engineering



Flat Top chains



Modular belts



Roller- and conveyor chains



Leaf chains



Agricultural chains



Sprockets and drive components



Drive- and conveyor chains



Transmission roller chains



All catalogues can be downloaded on iwis.com/kataloge

Our subsidiaries

Germany

iwis antriebssysteme GmbH & Co. KG
Albert-Roßhaupter-Straße 53
81369 München
Tel. +49 89 76909-1500
Fax +49 89 76909-1198
sales@iwis.com

Germany

iwis antriebssysteme GmbH
Essener Straße 23
57234 Wilnsdorf
Tel. +49 2739 86-0
Fax +49 2739 86-22
sales-wilnsdorf@iwis.com

Germany

iwis agrisystems
Schützenweg 5
36205 Sontra
Tel. +49 5653 9778-0
Fax +49 5653 9778-26
agrisystems@iwis.com

UK

iwis drive systems Ltd.
Unit 8c Bloomfield Park
Bloomfield Road, Tipton
West Midlands, DY4 9AP
Tel. +44 12 15213600
Fax +44 12 15200822
salesuk@iwis.com

France

iwis systèmes de transmission
10, rue du Luxembourg
69330 Meyzieu
Tel. +33 4374515-70
Fax +33 4374515-71
salesfr@iwis.com

Switzerland

iwis AG Kettentechnik
Bahnweg 4 (Postfach)
5504 Othmarsingen
Tel. +41 62 8898999
Fax +41 62 8898990
info@iwis-ketten.ch

Italy

iwis antriebssysteme Italia
Tel. +39 340 9296142
Fax +49 89 76909 491647
salesit@iwis.com

China

iwis drive systems Co. Ltd.
Lu Yuan Industrial Park Nanhui
Building NO. 8, Liuzhao Town
No. 369 Luji Road, 201322 Shanghai
Tel. +86 21 338964-21
Fax +86 21 338964-20
sales@iwis.com

USA

iwis drive systems, LLC
Building 100, 8266 Zionsville Road
Indianapolis, IN 46268 USA
Tel. +1 317 821-3539
Fax +1 317 821-3569
sales@iwisusa.com
www.iwisusa.com

Canada

iwis drive systems, Inc.
22-20881-87th Ave.,
Langley B.C. V1M 3X1
Tel. +1 778-298-3622
Fax +1 778-298-7219
salesca@iwisusa.com
www.iwisusa.com

Brazil

iwis Sistemas de Transmissao
R. Bento Rosa, 776
Bairro Hidraulica
95.900-000 Lajeado, RS
salesbrazil@iwis.com

South Africa

iwis drive systems (Pty) Ltd
unit 3, 127 Koornhof Road
Meadowdale 1614
Phone (011) 392-2306/7
Fax (011) 392-3295
salessa@iwis.com

www.iwis.com

Your sales representative

