

iwis

wir bewegen die welt

产品范围
Product range



2024



高性能滚子链和输送链

High-performance roller and conveyor chains



www.iwis.com



欢迎来到伊维氏传动系统 Welcome to iwis antriebssysteme

伊维氏传动系统有限公司总部设在德国，是一家全球领先的高性能传动和输送滚子链供应商。

iwis antriebssysteme GmbH, with its headquarters in Wilnsdorf, Germany, is one of the world's leading supplier of high-performance roller chains for drive technology and conveyor purposes.

联系我们：

How to contact us:

☎ +86 0512 85663020

✉ salescn@iwis.com



© 版权所有
伊维氏传动系统有限公司, Wilnsdorf

印刷于：
02/2024

© 图片：
iwis, Pfeifer Foto, imago,
Shutterstock, iStockphoto, Fotolia

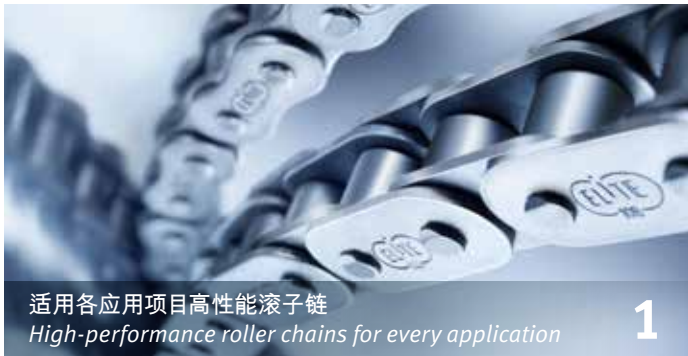
本目录内容著作权属出版商所有，未经许可不得复制或（或引用）。已采取一切可能的谨慎措施，确保此目录中信息准确，但不承担其中任何错误或遗漏相关的责任。

目录中描述的材料和生产工艺针对的是标准的产品版本。由于各个链条可能需要与所描述或说明不同的制造方法，所以这些描述或说明不具有法律约束力。

The contents of this catalogue are the copyright of the publisher and may not be reproduced (even extracts) without his permission. All possible care has been taken to ensure the accuracy of the information contained in this catalogue, but no liability can be accepted for any errors or omissions.

The materials and production processes described in the catalogue are representations of standard product versions. As individual chains may require different manufacturing methods from those described or illustrated, the descriptions or illustrations are not legally binding.

内容和节距详细索引, 参见第10页
For a detailed index of contents and a pitch list, see page 10





1 高性能滚子链

- 26 符合ISO 606
- 29 符合ISO 606 (ANSI B29.1)
- 32 重型系列H
- 33 重型系列HV
- 34 直链板滚子链
- 37 限制长度公差滚子链 新
- 38 符合ELITE标准滚子链
- 41 O型圈滚子链 新 新
- 42 侧弯链

2 双节距滚子链

- 46 符合ISO 1275
- 47 直链板滚子链

3 耐腐蚀链条

- 52 不锈钢滚子链
- 55 镀镍链
- 56 镀锌链
- 57 锌铝涂层滚子链 新

4 MEGAlife免润滑滚子链

- 61 MEGAlife免润滑滚子链 新
- 62 直链板链条 新

5 带附板滚子链

- 65 带加长销轴
- 66 带折弯附板 (ISO 606)
- 67 带垂直附板 (ISO 606)
- 68 带折弯附板 (ANSI) 新
- 69 带垂直附板 (ANSI) 新
- 73 带硫化弹性橡胶滚子链
- 79 锯齿链

6 空心销轴链条

- 86 空心销轴滚子链
- 87 空心销轴套筒链
- 88 无套筒空心销轴滚子链
- 89 双节距空心销轴链条
- 91 空心销轴链条 - HB50.8系列

7 倍速链

- 96 标准倍速链
- 97 带护指和零件保护倍速链
- 98 三排倍速链 新
- 99 双倍速链

8 板式链

- 104 BL系列
- 106 LL系列
- 108 AL系列
- 110 特殊板式链

9 输送链

- 118 套筒输送链 - M系列
- 119 套筒输送链 - FV系列
- 120 带附板 - M系列和FV系列
- 124 深链节链 - MT系列
- 125 深链节链 - FV系列
- 126 空心销轴链 - MC系列
- 127 空心销轴链 - FVC系列
- 128 符合BS 4116的套筒输送链 - Z系列 新
- 129 符合BS 4116的空心销轴输送链 - ZC系列 新
- 130 刮板输送链
- 131 造纸行业输送链
- 132 重型过渡链节输送链

10 链条工具和润滑剂

- 134 链条拆分和铆接工具
- 136 链条拉拔器
- 139 eliDUR+
- 140 附加高性能初始润滑剂
- 142 推荐二次润滑剂



1 High-performance roller chains

- 26 According to ISO 606
- 29 According to ISO 606 (ANSI B29.1)
- 32 Heavy series H
- 33 Heavy series HV
- 34 Roller chains with straight side plates
- 37 Roller chains with restricted length tolerances **NEW**
- 38 Roller chains according to ELITE standard
- 41 O-ring roller chains **NEW**
- 42 Side bow chains

2 Double pitch roller chains

- 46 According to ISO 1275
- 47 With straight side plates

3 Corrosion resistant chains

- 52 Stainless steel roller chains
- 55 Nickel-plated chains
- 56 Zinc-plated chains
- 57 Zinc-flake coated roller chains **NEW**

4 MEGAlife maintenance-free roller chains

- 61 MEGAlife maintenance-free roller chains **NEW**
- 62 With straight side plates **NEW**

5 Roller chains with attachments

- 65 With extended pins
- 66 With bent attachments (ISO 606)
- 67 With straight attachments (ISO 606)
- 68 With bent attachments (ANSI) **NEW**
- 69 With straight attachments (ANSI) **NEW**
- 73 Roller chains with vulcanised elastomer profiles
- 79 Roller chains with sawtooth plates

6 Hollow pin chains

- 86 Hollow pin roller chains
- 87 Hollow pin bushing chains
- 88 Hollow pin roller chains without bushes
- 89 Double pitch hollow pin chains
- 91 Hollow pin chains – Series HB50.8 **NEW**

7 Accumulation chains

- 96 Standard accumulation chains
- 97 With finger and parts protection
- 98 Accumulation chains triplex version **NEW**
- 99 Double Speed chains

8 Leaf chains

- 104 Series BL
- 106 Series LL
- 108 Series AL
- 110 Special leaf chains

9 Conveyor chains

- 118 Bush conveyor chains M series
- 119 Bush conveyor chains FV series
- 120 Attachments M series and FV series
- 124 Roller deep link chains MT series
- 125 Roller deep link chains FV series
- 126 Hollow pin conveyor chains MC series
- 127 Hollow pin conveyor chains FVC series
- 128 Bush conveyor chains acc. to BS 4116 – Z series **NEW**
- 129 Hollow pin conveyor chains acc. to BS 4116 – ZC series **NEW**
- 130 Scraper conveyor chains
- 131 Conveyor chains for the paper industry
- 132 Heavy-duty cranked-link transmission chains

10 Chain tools and lubricants

- 134 Chain tools for breaking and riveting
- 136 Chain pullers
- 139 eliDUR+
- 140 Additional high-performance initial lubricants
- 142 Recommended re-lubricant



节距索引 Pitch index

节距 Pitch	链条型号 Chain type	内节内宽 Width between inner plates	最小抗拉强度 Min. tensile strength	附加信息 Additional information	页码 Page	
p mm		b1 min. mm	FU KN			
6,00	04B-1	2,80	3,0	DIN 8187/ISO 606	26	
	04B-2	2,80	5,0	DIN 8187/ISO 606	27	
	04B-1 CF	2,80	2,0	不锈钢 / Stainless steel	52	
6,35	25-1	3,10	3,5	DIN 8188/ISO 606	29	
	25-2	3,10	7,0	DIN 8188/ISO 606	30	
	25-3	3,10	10,5	DIN 8188/ISO 606	31	
	25-1 CF	3,10	2,5	不锈钢 / Stainless steel	53	
	05B-1	3,00	4,4	DIN 8187/ISO 606	26	
8,00	05B-2	3,00	7,8	DIN 8187/ISO 606	27	
	05B-3	3,00	11,1	DIN 8187/ISO 606	28	
	05B-1 CF	3,00	3,5	不锈钢 / Stainless steel	52	
9,525	06B-1	5,72	8,9	DIN 8187/ISO 606	26	
	06B-2	5,72	16,9	DIN 8187/ISO 606	27	
	06B-3	5,72	24,9	DIN 8187/ISO 606	28	
	35-1	4,68	7,9	DIN 8188/ISO 606	29	
	35-2	4,68	15,8	DIN 8188/ISO 606	30	
	35-3	4,68	23,7	DIN 8188/ISO 606	31	
	35-1GL	4,68	7,9	直链板 / Straight side plates	35	
	06B-1 LT	5,72	7,9	DIN 8187/ISO 606	37	
	06B-2 LT	5,72	10,2	DIN 8187/ISO 606	37	
	06B-3 LT	5,72	10,2	DIN 8187/ISO 606	37	
	06B-1 CF	5,72	6,2	不锈钢 / Stainless steel	52	
	06B-2 CF	5,72	11,2	不锈钢 / Stainless steel	52	
	06B-3 CF	5,72	16,7	不锈钢 / Stainless steel	52	
	35-1 CF	4,68	5,5	不锈钢 / Stainless steel	53	
	06B-1 NP	5,72	8,9	镍镀 / Nickel-plated	55	
	06B-1 ML	5,72	8,9	MEGAlife 免润滑 / maintenance free	61	
	06B-2 ML	5,72	10,2	MEGAlife 免润滑 / maintenance free	61	
	06B-1	5,72		加长销轴 / Extended pins	65	
	35-1	4,68		加长销轴 / Extended pins	65	
	AL322			板式链 / Leaf chain	108	
	AL344			板式链 / Leaf chain	108	
	12,70	08B-1	7,75	17,8	DIN 8187/ISO 606	26
		08B-2	7,75	31,1	DIN 8187/ISO 606	27
		08B-3	7,75	44,5	DIN 8187/ISO 606	28
		40-1	7,85	13,9	DIN 8188/ISO 606	29
		40-2	7,85	27,8	DIN 8188/ISO 606	30
		40-3	7,85	41,7	DIN 8188/ISO 606	31
		40-1 H	7,85	14,1	DIN 8188/ISO 606	32
		08B-1GL	7,75	17,8	直链板 / Straight side plates	34
		08B-2GL	7,75	31,1	直链板 / Straight side plates	34
		08B-3GL	7,75	44,5	直链板 / Straight side plates	34
		40-1GL	7,85	13,9	直链板 / Straight side plates	35
		40-2GL	7,85	27,8	直链板 / Straight side plates	35
40-3GL		7,85	41,7	直链板 / Straight side plates	35	
08B-1 LT		7,75	13,9	DIN 8187/ISO 606	37	
08B-2 LT		7,75	13,9	DIN 8187/ISO 606	37	
08B-3 LT		7,75	13,9	DIN 8187/ISO 606	37	
081-1		3,30	8,0	ELITE 标准 / ELITE standard	40	
083-1		4,88	11,6	ELITE 标准 / ELITE standard	40	
084-1		4,88	15,6	ELITE 标准 / ELITE standard	40	
085-1		6,25	6,7	ELITE 标准 / ELITE standard	40	
415		4,88	8,2	ELITE 标准 / ELITE standard	40	
415H		4,76	15,6	ELITE 标准 / ELITE standard	40	
423		6,40	18,0	ELITE 标准 / ELITE standard	40	
420		6,45	17,2	ELITE 标准 / ELITE standard	40	
428H		7,75	23,0	ELITE 标准 / ELITE standard	40	
5R		5,00	11,6	ELITE 标准 / ELITE standard	40	
08B-1 OR		7,75	17,8	O型圈滚子链 / O-ring roller chains	41	
40-1 OR		7,85	13,9	O型圈滚子链 / O-ring roller chains	41	
08B SB		7,75	14,0	侧弯链 / Side bow chain	42	
40-1 SB		7,85	12,0	侧弯链 / Side bow chain	42	
43-1 SB		7,85	12,0	侧弯链 / Side bow chain	42	
08B-1 CF		7,75	12,0	不锈钢 / Stainless steel	52	
08B-2 CF		7,75	21,0	不锈钢 / Stainless steel	52	
08B-3 CF		7,75	31,5	不锈钢 / Stainless steel	52	
40-1 CF		7,85	9,6	不锈钢 / Stainless steel	53	
40-2 CF		7,85	18,9	不锈钢 / Stainless steel	53	
08B-1 CF GL		7,75	12,0	不锈钢 / Stainless steel	54	
08B-2 CF GL		7,75	24,0	不锈钢 / Stainless steel	54	
08B-1 NP		7,75	17,8	镍镀 / Nickel-plated	55	
40-1 NP		7,85	13,9	镍镀 / Nickel-plated	55	
08B-1 ZP		7,75	15,8	镀锌 / Zinc-plated	56	
40-1 ZP		7,85	12,0	镀锌 / Zinc-plated	56	
08B-1 ZAP		7,75	17,8	锌铝镀层 / Zinc-flaked	57	
40-1 ZAP		7,85	13,9	锌铝镀层 / Zinc-flaked	57	
08B-1 ML		7,75	17,8	MEGAlife 免润滑 / maintenance free	61	

节距 Pitch	链条型号 Chain type	内节内宽 Width between inner plates	最小抗拉强度 Min. tensile strength	附加信息 Additional information	页码 Page
p mm		b1 min. mm	FU KN		
6,00	08B-2 ML	7,75	13,9	MEGAlife 免润滑 / maintenance free	61
	08B-3 ML	7,75	13,9	MEGAlife 免润滑 / maintenance free	61
	08B-1 ML-GL	7,75	17,8	MEGAlife 免润滑 / maintenance free	62
6,35	08B-2 ML-GL	7,75	13,9	MEGAlife 免润滑 / maintenance free	62
	08B-1	7,75		加长销轴 / Extended pins	65
	40-1	7,85		加长销轴 / Extended pins	65
8,00	08B K1			折弯附板 ISO 606 / Bent attachments	66
	08B K2			折弯附板 ISO 606 / Bent attachments	66
	08B M1			垂直附板 ISO 606 / Straight attachments	67
9,525	08B M2			垂直附板 ISO 606 / Straight attachments	67
	40-1 K1			折弯附板 / Bent attachments	68
	40-1 K2			折弯附板 / Bent attachments	68
12,70	40-1 M1			垂直附板 / Straight attachments	69
	40-1 M2			垂直附板 / Straight attachments	69
	08B-1 G1	7,75	17,8	带硫化橡胶滚子链 / Elastomer profile	73
15,875	08B-1 G3	7,75	18,0	带硫化橡胶滚子链 / Elastomer profile	73
	08B-2 G2	7,75	31,1	带硫化橡胶滚子链 / Elastomer profile	74
	08B-1 G6	7,75	18,0	带硫化橡胶滚子链 / Elastomer profile	75
18,875	08B-1 G9	7,75	18,0	带硫化橡胶滚子链 / Elastomer profile	75
	08B-1 ZL3	7,75	17,8	尖齿链 / Saw tooth chain	79
	08BHP4,5	7,75	11,1	空心销轴链 / Hollow pin chain	87
21,875	40HP4	7,85	11,0	空心销轴链 / Hollow pin chain	87
	08BHP4	9,50	14,0	空心销轴链 / Hollow pin chain	88
	40HP4	7,85	11,0	空心销轴链 / Hollow pin chain	88
24,875	ES1-1-27-S16	7,75		倍速链 / Accumulation chain	96
	ES1-1-27-K16	7,75		倍速链 / Accumulation chain	96
	EST1-1-27-K16	7,75		倍速链 / Accumulation chain	97
27,875	EST1-1-27-S16	7,75		倍速链 / Accumulation chain	97
	ESR1-3-45-S17	7,75		倍速链 / Accumulation chain	98
	ESR1-3-45-K17	7,75		倍速链 / Accumulation chain	98
30,875	BL422		22,2	板式链 / Leaf chain	104
	BL423		22,2	板式链 / Leaf chain	104
	BL434		33,4	板式链 / Leaf chain	104
33,875	BL444		44,5	板式链 / Leaf chain	104
	BL446		44,5	板式链 / Leaf chain	104
	BL466		66,7	板式链 / Leaf chain	104
36,875	BL488		88,8	板式链 / Leaf chain	104
	LL0822		18,0	板式链 / Leaf chain	106
	LL0844		36,0	板式链 / Leaf chain	106
39,875	LL0866		54,0	板式链 / Leaf chain	106
	LL0888		72,8	板式链 / Leaf chain	106
	AL422		13,9	板式链 / Leaf chain	108
42,875	AL444		27,8	板式链 / Leaf chain	108
	AL466		41,7	板式链 / Leaf chain	108
	10B-1	9,65	22,2	DIN 8187/ISO 606	26
45,875	10B-2	9,65	44,5	DIN 8187/ISO 606	27
	10B-3	9,65	66,7	DIN 8187/ISO 606	28
	50-1	9,40	21,8	DIN 8188/ISO 606	29
48,875	50-2	9,40	43,6	DIN 8188/ISO 606	30
	50-3	9,40	65,4	DIN 8188/ISO 606	31
	50-1 H	9,40	22,2	DIN 8188/ISO 606	32
51,875	50-1 HV	9,40	36,7	DIN 8188/ISO 606	33
	10B-1GL	9,65	22,2	直链板 / Straight side plates	34
	10B-2GL	9,65	44,5	直链板 / Straight side plates	34
54,875	10B-3GL	9,65	66,7	直链板 / Straight side plates	34
	50-1GL	9,40	21,8	直链板 / Straight side plates	35
	50-2GL	9,40	43,6	直链板 / Straight side plates	35
57,875	50-3GL	9,40	65,4	直链板 / Straight side plates	35
	10B-1 LT	9,65	21,8	DIN 8187/ISO 606	37
	10B-2 LT	9,65	16,6	DIN 8187/ISO 606	37
60,875	10B-3 LT	9,65	16,6	DIN 8187/ISO 606	37
	520	6,45	23,6	ELITE 标准 / ELITE standard	40
	10B-1 OR	9,65	22,2	O型圈滚子链 / O-ring roller chains	41
63,875	50-1 OR	9,40	21,8	O型圈滚子链 / O-ring roller chains	41
	10B SB	9,65	15,6	侧弯链 / Side bow chain	42
	50-1 SB	9,40	18,0	侧弯链 / Side bow chain	42
66,875	10B-1 CF	9,65	14,7	不锈钢 / Stainless steel	52
	10B-2 CF	9,65	26,7	不锈钢 / Stainless steel	52
	10B-3 CF	9,65	42,8	不锈钢 / Stainless steel	52
69,875	50-1 CF	9,40	15,2	不锈钢 / Stainless steel	53
	50-2 CF	9,40	29,8	不锈钢 / Stainless steel	53
	10B-1 CF GL	9,65	14,5	不锈钢 / Stainless steel	54
72,875	10B-2 CF GL	9,65	29,0	不锈钢 / Stainless steel	54
	10B-1 NP	9,65	22,2	镍镀 / Nickel-plated	55
	50-1 NP	9,40	21,8	镍镀 / Nickel-plated	55
75,875	10B-1 ZP	9,65	19,7	镀锌 / Zinc-plated	56
	50-1 ZP	9,40	18,9	镀锌 / Zinc-plated	56

iwis — 精准、创新、热情

iwis Group

作为其专业领域的全球技术领导者，iwis已有100多年的历史，致力于制造出色精密的高质量产品。

我们多方面的产品组合涵盖了创新的高性能链传动系统，直到电气插头连接技术。iwis技术在全球范围内可用，并广泛应用于汽车工业、建筑车辆、医疗保健、印刷和食品工业、输送技术、农业设备以及许多其他行业。

As a global technology leader in its areas of expertise, iwis has been manufacturing top-quality products in outstanding precision for over 100 years.

Our multifaceted portfolio extends from innovative, high-performance chain drive systems through to electrical plug connector technology. iwis technology is available worldwide and can be found in applications including but not limited to the automotive industry, construction vehicles, medical and healthcare, printing and food industries, conveyor technology, agricultural equipment and many other industries.

iwis 集团的部门

Other corporate divisions in the iwis Group

汽车 / Automotive



iwis mobility systems

- 汽车工业的控制脉冲、凸轮轴驱动、质量平衡机构和油泵驱动
- 复杂的运动系统
- Control impulses, camshaft drive, mass balancing mechanism and oil pump drives for the automotive industry
- Complex Motion Systems

工业 / Industry



iwis antriebssysteme

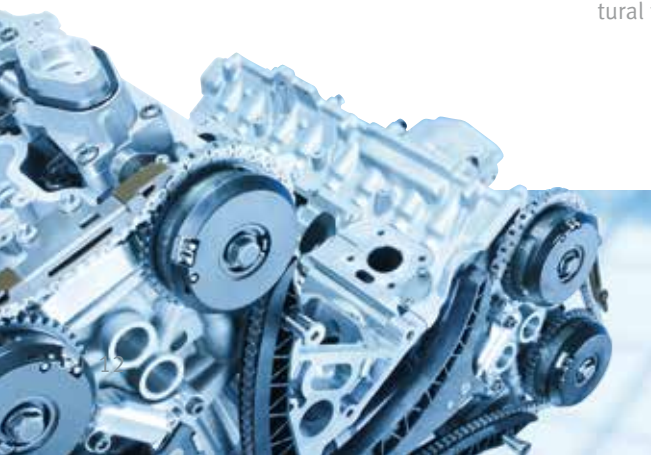
- 用于动力传递和输送技术的精密链条、链轮和链张紧器
- 农业链系统以及农业技术的技术服务提供商
- Precision chains, sprockets and chain tensioners for power transmission and conveyor technology
- Agricultural chain systems as well as technical service provider for agricultural technology

连接技术 / Contact technology



iwis mechatronics

- 高精度的钣金加工、冲压和弯曲，特别是在电气连接技术中
- 具有可粘结表面的混合电机组件、塑料金属互连
- High-precision sheet metalworking, stamping and bending, in particular in electrical connection technology
- Hybrid electromechanical components with bondable surfaces, plastic-metal interconnections



iwis全球

iwis worldwide

iwis –也是德国以外您强大合作伙伴

iwis集团走向全球。通过支持自己在英国和瑞士，以及在巴西，中国，法国和美国的关联公司，iwis集团在全球开展业务。iwis产品由分销合作伙伴在超过所有大洲的30个国家/地区进行销售。iwis在早期就意识到了全球化的机会并通过有针对性的定位建立了分销结构保证了全球供应。这样，我们不仅开辟新市场，而且我们的客户同时也可以诉诸熟悉的和可靠的本地合作伙伴进行业务活动。

iwis – your strong partner outside Germany as well

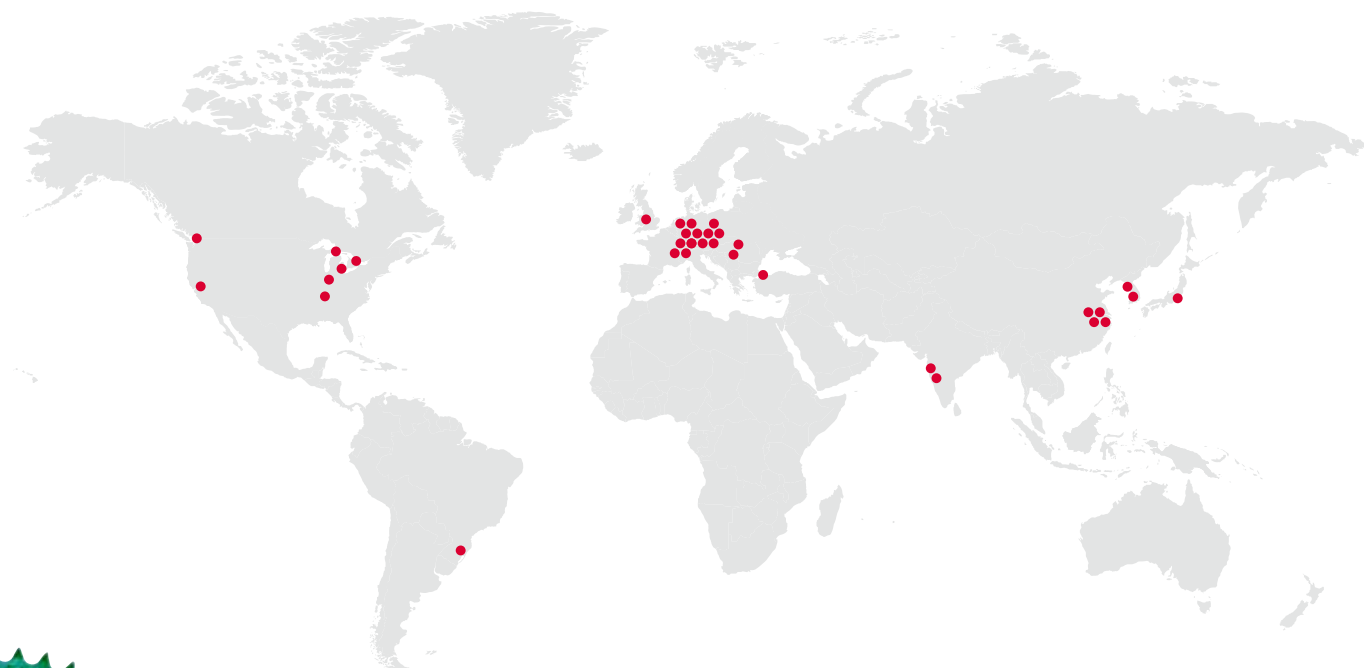
The iwis group goes global. By supporting own affiliated companies in Great Britain and Switzerland as well as sites in Brazil, China, France and the USA the iwis group operates internationally. iwis products are being sold by distribution partners in more than 30 countries on all continents.

iwis has realised the chances of the globalisation at an early stage and has established a distribution structure by a targeted positioning which guarantees a worldwide supply. Thus we do not only open up new markets but our customers can appeal to a familiar and reliable local partner with regard to their business activities abroad.

您可以在以下位置找到世界各地的所有联系人：

You will find all contact persons worldwide under:

www.iwis.com/weltweit





ELITE® 行业应用

Industrial applications

ELITE 高性能滚子链系统可用于服务大量应用项目。此处仅列举少数几个例子,说明 ELITE 客户分布的行业和应用项目。

- 材料搬运和输送行业
- 包装行业
- 建筑技术
- 医疗技术
- 食品加工行业
- 输送技术
- 组装和工业运输系统
- 木工机器
- 机床
- 传动系统
- 通用工程和系统施工
- 玻璃和陶瓷行业
- 测量和测试技术
- 加热和制冷工程
- 工厂工程和施工
- 环境技术
- 农业机械

ELITE high-performance roller chain systems are used in a large number of applications. Here are just a few examples of the industries and applications where ELITE customers can be found.

- Distribution and materials handling industry
- Packaging industry
- Buildings technology
- Medical technology
- Food processing industry
- Conveyor technology
- Assembly and industrial handling systems
- Woodworking machinery
- Machine tools
- Drive systems
- General engineering and systems construction
- Glass and ceramic industry
- Measurement and testing technology
- Heat and refrigeration engineering
- Plant engineering and construction
- Environmental technology
- Agricultural machinery





ELITE® 我们的工业应用解决方案
Our solutions for industrial applications

ELITE为工业“链”应用提供广泛的传动系统产品。除了按照ISO 606和ANSI标准制造的标准滚子链、众多特殊链条和定制链条外，ELITE还提供了全面的链条附件计划，例如链轮和其他传动组件计划。

- ELITE链条的磨损和疲劳极限值远远超过DIN/ISO标准的最低要求。
- 所有ELITE链条均按照ISO 9001规定的严格质量控制和持续监控要求制造。
- ELITE产品系列代表着可靠的高品质：我们的质保专家团队活跃于世界各地，借助于最新的质量保证方法以及自主研发的测量和测试设备监视所有制造过程，从而确保达到我们的最高质量标准。从始至终的无缝检查—从钢材的选用到最终产品交付给客户。

链轮

iwis始终备有大量的标准链轮，型号从05B-1到32B-3。因此，我们可以在必要的时候快速作出反应！我们的新型链轮制造机械使iwis不仅可以单独、快速、可靠地制造定制链轮版本，而且还可以满足高质量标准。

在我们的目录“链轮和传动组件”中可以找到完整的服务范围。

ELITE offers a broad range of drive systems products for industrial “chain” applications. Besides standard roller chains manufactured to ISO 606 and ANSI, numerous special chain models and customised versions, ELITE also offers a comprehensive chain accessories program for e.g. sprockets and other drive components.

- ELITE chains have wear and fatigue limit values that are far superior to the minimum requirements of DIN/ISO standards.
- All ELITE chains are manufactured in accordance with the strict quality control and continuous monitoring requirements laid down in ISO 9001.
- The ELITE product range stands for guaranteed high quality: our team of Quality Assurance experts is active worldwide, ensuring that our high quality standards are maintained by monitoring all manufacturing process with the help of the latest quality assurance methods and its own measuring and testing equipment. Checks are seamless from start to finish – from selection of the steel used to the delivery of the finished product to the customers.

Sprockets and plate wheels

iwis always has always a **wide range** of standard sprockets sizes **05B-1 to 32B-3 in stock**. We can thus react fast if necessary! Our new sprocket manufacturing machinery also enables iwis to manufacture customized sprocket versions not only **individually, quickly and reliably**, but also meeting **high quality** standards.

The complete range of services can be found in our catalog **“Chain wheels and drive components”**.





传动系统就是我们的世界—您的强大合作伙伴

Drive systems is our world – your strong partner

伊维氏拥有全球最大的链条传动系统研发部门。其不仅专注于基础开发和面向客户的创新型解决方案的研发，还提供计算、设计和配置服务以及磨损和疲劳极限的测试。

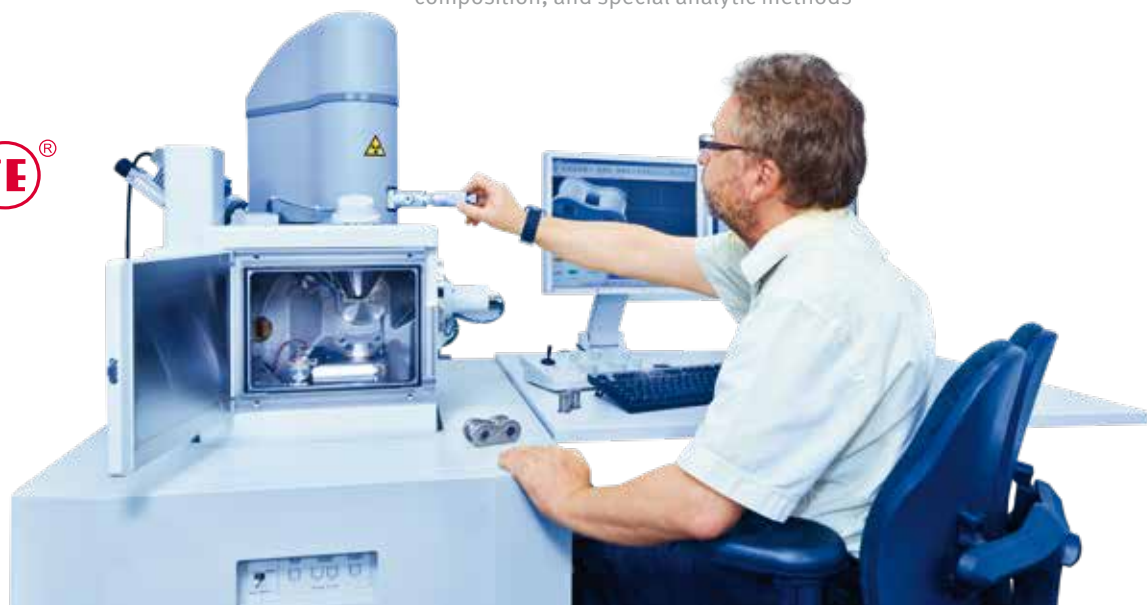
我们的主要研发领域包括：

- 标准化和/或专门设计的疲劳强度极限测试
- 测量断裂强度、链条弹性和压出力
- 磨损伸长率测试
- 基于多体动力学仿真的运动学分析
- 使用FEM和其他工具进行强度计算
- 耐腐蚀性研究
- 动态振动测试和应力分析
- 在我们自己的测试台上评估iwis或客户测试结果
- 其他可用的实验室设施包括：显微镜、金相、机械性能和分析成分的测定以及特殊的分析方法

iwis has the largest R&D department for chain drive systems worldwide. It focuses not only mainly on basic development and the creation of innovative, customer-specific solutions, but it also provides calculation, design, and configuration services and tests for wear and fatigue limits.

Our main development areas include:

- Standardized and/or purpose-designed fatigue strength limit testing
- Measurement of breaking strength, elasticity and extraction forces
- Wear elongation tests
- Kinematic analyses with multi-body simulation
- Strength calculations using FEM and other tools
- Corrosion resistance studies
- Dynamic vibration testing and stress analysis
- Evaluation of iwis or customer test results on our own test rigs
- Other available laboratory facilities include: microscopy, metallography, determination of mechanical properties and chemical composition, and special analytic methods





ELITE® *Rapid Service* | 快速服务

我们的ELITE快捷服务部门可以在短时间内快速、有效地定制您对ELITE链条类型的需求，例如配备附板或特殊销轴的滚子链。

特色 - 链条生产：

- 小产量订单和特殊链条类型交期短且十分灵活
- 我们的重点：链条尺寸08B-1至16B-2
- 折弯附板K1和K2以及垂直附板M1和M2等可以按照一系列客户化尺寸要求进行加工
- 可提供多种特殊润滑剂，如食品级润滑油或高温润滑油、蜡质润滑剂等
- 标准交货周期为2周——十分紧急的情况下提供48小时快速生产服务
- 根据具体需要按米或预切长度销售
- 配对和测量设备
- 应客户要求可提供带有涂层的链条
- 德国原产链条

特色 - 带有加长销轴的链条生产：

- 可实现各类延伸：仅一边延伸、两边对称或不对称延伸 - 全自动
- 可提供不同加长销间隔选配方案

Our ELITE Rapid Service department can custom-built your demand of ELITE chain types such as roller chains with attachments or special pins fast and efficiently within a short time.

Highlights – Chain production:

- Short lead times and high flexibility for small production orders and special chain types
- Our focus: Chain sizes 08B-1 to 16B-2
- A wide range of customary attachments dimensions such as bent attachments K1 and K2 and flat attachments M1 and M2 (Special forms on request)
- Various special lubricants available e.g. lubricants for foodstuff applications or high temperatures, wax lubricant
- 2-week standard lead time – 48-hour express production service for very urgent cases
- Sale by the meter or in pre-cut lengths as required
- Pair-matching and measurement facility
- Coated chains available
- Chain production of German origin

Highlights – Chain production with extended pins:

- All extension types are possible: one side only, symmetrical or asymmetrical on both sides – fully automated
- All pin cycle configurations available

ELITE® 模块化系统 - 七步操作实现链条客制化 Modular system – seven steps to your customized chain





链条工程：滚子链设计

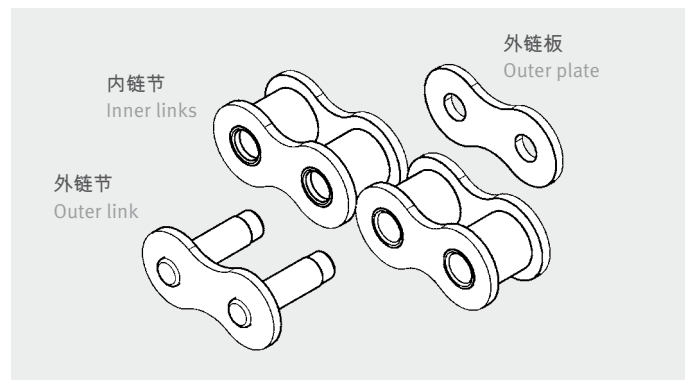
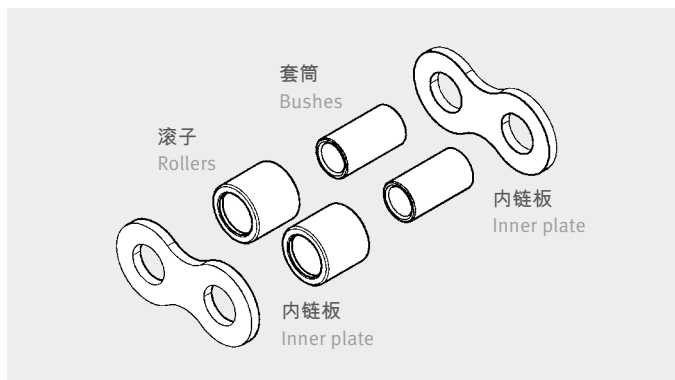
Chain engineering: Design of roller chains

钢质滚子链包含一系列独立链条链节。各链节又包含独立部件，其中有些部件设计用于传递拉伸载荷，而另外的部件则用于使两个链节相互结合。链节设计特别重要。一般说来，链节仅在一个平面上运动。

Steel roller chains consist of a range of individual chain links. Each link in turn consists of individual components some of which are designed to transmit tensile loads and others that allow the articulation of two links in respect of each other. The design of the links is of particular importance. Generally speaking, they move only in one plane.

伊维氏高性能滚子链及套筒链设计参见以下图纸。

This design of **iwis** high-performance roller chains and of bush chains is illustrated in the following drawings.



链条包含内链节和外链节。内链节包含两个内链板，两个套筒压入两个内链板，同时套筒上有两个滚子转动。若为套筒链，则两个滚子都不存在。这样套筒便与链轮齿直接接触。

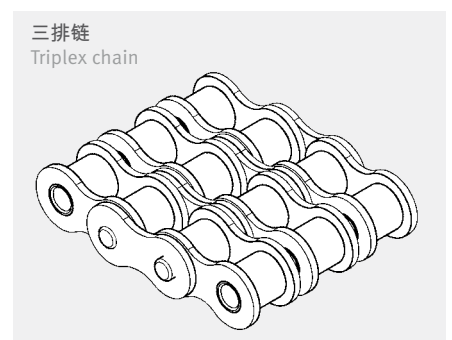
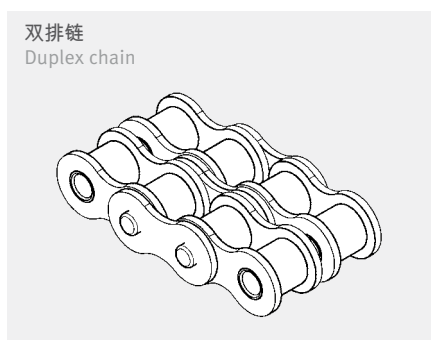
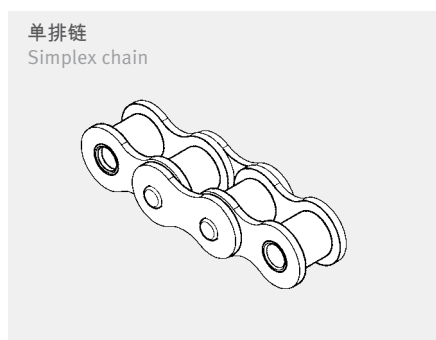
A chain consists of inner and outer links. The inner link consists of two inner plates into which, two bushes are pressed and two rollers, which rotate on the bushes. In the case of bush chains both rollers are omitted. Thus the bushes are in direct contact with the sprocket teeth.

外链节包含两个外链板和两个销轴。内链节通过添加外链节进行连接，参见右方插图。

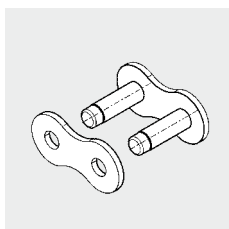
The outer link consists of two outer plates and two bearing pins. The connection of the inner links by adding outer links is shown in the right illustration.

若使用单个链条时扭矩传输要求使用一个小于15齿的链轮，则建议使用小节距多链。这样可以实现在相同的链轮直径上支持更多齿。

As soon as the transmission of torque using a single chain requires less than a 15 tooth sprocket, it is recommended to use a multiple chain with a smaller pitch. This results in a larger number of teeth with the same sprocket diameter.

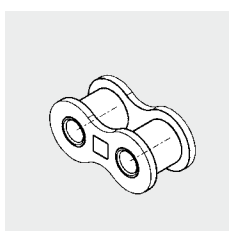


ELITE® 滚子链的单个部件
Single parts for roller chains



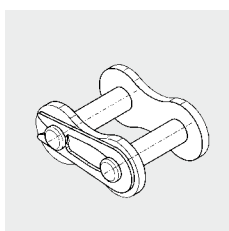
A型 外链节

适用于所有尺寸链条。紧配合单元与内链节连接，实现最优性能。



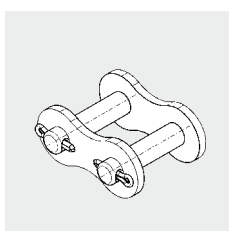
B型 内链节

适用于所有尺寸链条，延长链条长度。



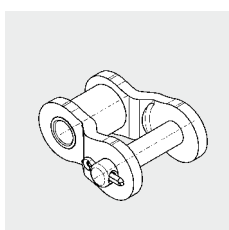
E型 卡簧全扣接头

适用于节距不大于 1" 的链条。卡簧开口应与链条运行方向相反。



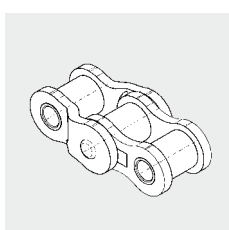
S型 插销全扣接头

节距大于 1" 的链条采用表面硬化特殊钢质开口销。请注意：开口销必须在组装时完全弯曲绕在销轴上，以避免连接链节意外开口。



L型 单过渡链节

用于制造奇数节长度的环形链条——标准节距 1/2" 至 3"。



C型 复合过渡链节

小节距链条优先使用单过渡链节。复合过渡链节仅适用于低于或等于 1" 节距链条。

Typ A Outer link

Available for all sizes of chains. Press fit unit to connect chains for max. performance.

Typ B Inner link

Available for all sizes of chains to extend chain length.

Typ E Spring connecting link

Available for chains up to 1" pitch. Should be assembled with open end away from running direction of chain.

Typ S Connecting link cotter pin type

For chains over 1" pitch, with case-hardened special steel cotter pins. Please note that the cotter pin must be bent completely around the pin on assembly to avoid inadvertent opening of the connecting link.

Typ L Single crank link

Used to make chains of odd pitch lengths - Standard of 1/2" up to 3" pitch.

Typ C Double crank link

Preferred to single crank link for small pitch chains. Available for all chains to 1" pitch.

客制化长度链条订单-示例

Order of customized chain lengths – Examples

若需订购客制化长度链条，请务必明确所需链条类型以及要求链节数量。若您不了解所需链条类型，我司需要以下信息来正确处理您的订单：节距、滚子直径以及内链节内宽。链条供应时将带有标准接头。

When ordering customized chain lengths, please specify our chain type reference and the number of links required. If you do not know the chain type reference, we will need the following information to process your order: pitch, roller diameter and inner width of the inner link. Standard connecting links will be supplied along with the chains.

切割至客户要求长度的滚子链
Cut to length roller chains



环形铆接滚子链需使用偶数链节
Continuously riveted endless roller chains require an even number of links



环形带接头滚子链需使用偶数链节（包括一个标准接头）
Continuously endless roller chains require an even number of links, including a straight connecting link



客制化长度链条订单-示例

Order of customized chain lengths – Examples

带奇数链节的滚子链（可能情况1）：需使用复合过渡链节和标准接头闭合链条。

Roller chains with an odd number of links (Possibility 1):
A cranked double link and a straight connecting link are required to close the chain.



带奇数链节的滚子链（可能情况2）：需使用单过渡链节和标准接头闭合链条。

Roller chains with an odd number of links (Possibility 2):
A cranked link and a straight connecting link are required to close the chain.



两端均带内链节的滚子链：若不需要接头，则供应该版本产品。

Roller chains with inner links on both ends:
This version is supplied when no connecting links are required.





滚子链的包装单元和重量

Packing units and weights of roller chains

符合ISO 606 (DIN 8187和DIN 8188) 要求的ELITE滚链主要采用单个盒子或者塑料袋包装，供应时一并提供一个标准接头。

应客户要求，我们可以供应切割至客户要求长度的链条以及放在卷轴上的链条。尺寸28B-3及之后的ELITE滚子链供应时采用聚乙烯袋包装。

ELITE roller chains according to ISO 606 (DIN 8187 and DIN 8188) are principally packed in individual boxes and supplied with a straight connecting link.

We can supply chains cut to length and chains on reels on request. ELITE roller chains from size 28B-3 onwards are supplied packed in polythene bags.

ISO/BS

符合DIN 8187要求的链条
Chains acc. DIN 8187

伊维氏链条号 iwis chain no.	纸箱尺寸 Carton box dimension	包装内链条长度 Content chain length	重量 Weight	可提供单个 零件 Available single parts
	LxWxH mm	m	kg/m	
04-B1	160x160x35	5	0,12	A,E,L,C
05 B-1	190x190x13	5	0,18	A,E,L,C
06 B-1	220x220x20	5	0,41	A,E,S,L,C
06 B-2	220x220x30	5	0,78	A,E,L,C
06 B-3	220x220x41	5	1,18	A,E,L,C
083	270x270x25	5	0,42	A,E,L,C
085	270x270x25	5	0,38	A,E,L,C
08 B-1	240x240x23	5	0,70	A,E,S,L,C
08 B-2	260x260x37	5	1,40	A,E,S,L,C
08 B-3	260x260x51	5	2,10	A,E,S,L,C
10 B-1	280x280x26	5	0,90	A,E,S,L,C
10 B-2	280x280x43	5	1,80	A,E,S,L,C
10 B-3	280x280x60	5	2,60	A,E,S,L,C
12 B-1	280x280x31	5	1,15	A,E,S,L,C
12 B-2	300x300x50	5	2,30	A,E,S,L,C
12 B-3	300x300x70	5	3,40	A,E,S,L,C
16 B-1	340x340x42	5	2,60	A,E,S,L,C
16 B-2	340x340x76	5	5,30	A,E,S,L,C
16 B-3	340x340x107	5	7,80	A,E,S,L,C
20 B-1	380x380x50	5	3,70	A,E,S,L,C
20 B-2	400x400x88	5	7,25	A,S,L
20 B-3	400x400x125	5	10,85	A,S,L
24 B-1	420x420x63	5	7,00	A,S,L
24 B-2	430x430x111	5	13,75	A,S,L
24 B-3	430x430x160	5	20,50	A,S,L
28 B-1	460x460x75	5	8,60	A,S,L
28 B-2	470x470x135	5	17,30	A,S,L

ISO/ANSI

符合DIN 8188要求的链条
Chains acc. DIN 8188

伊维氏链条号 iwis chain no.	纸箱尺寸 Carton box dimension	包装内链条长度 Content chain length	重量 Weight	可提供单个 零件 Available single parts
	LxWxH mm	m	kg/m	
25-1	180x180x16	5	0,14	E,L,C
35-1	220x220x20	5	0,65	E,L,C
35-2	220x220x30	5	0,65	E,L,C
35-3	220x220x41	5	0,97	E, L
40-1	240x240x23	5	0,62	E,S,L,C
40-2	260x260x37	5	1,22	E,L,C
40-3	260x260x51	5	1,83	E, L
50-1	280x280x26	5	1,01	A, E, S, L, C
50-2	280x280x43	5	2,00	E, S, L, C
50-3	280x280x60	5	2,97	E, L
60-1	300x300x31	5	1,48	A, E, S, L, C
60-2	300x300x56	5	2,95	E, S, L, C
60-3	300x300x78	5	4,35	E, L
80-1	340x340x42	5	2,60	A, E, S, L, C
80-2	340x340x76	5	5,20	E, S, L, C
80-3	340x340x107	5	7,90	E, L
100-1	380x380x50	5	3,76	A, S, L
100-2	400x400x88	5	7,60	A, S, L
100-3	400x400x125	5	11,40	A, S, L
120-1	430x430x63	5	5,50	A, S, L
120-2	440x440x105	5	10,80	A, S, L
120-3	440x440x151	5	15,80	A, S, L
140-1	470x470x64	5	7,20	A, S, L
140-2	480x480x113	5	14,20	A, S, L
140-3	480x480x162	5	21,50	A, S, L
160-1	510x510x76	5	10,30	A, S, L

附加信息:

链条接头供应时并未进行安装，密封在塑料小袋内；交付时采用散装。

Additional information:

Connecting links are supplied unmounted and sealed in a plastic pouch; delivery in bulk quantity box.

高性能滚子链
High-performance roller chains
for every application





高性能滚子链

High-performance roller chains for every application

ELITE滚子链耐磨性强，疲劳强度明显高于标准要求。工业应用的正确选择：坚固可靠。

所有 ELITE 滚子链均进行了充分预拉伸，并使用我公司高科技润滑油 **elidur+**——一种含有特殊添加剂的链条润滑油，进行处理。不滴流 **elidur+** 不仅具有改善运行特性的优势，而且还具有更佳的防腐性能。

ELITE 技术规格

- ELITE 链条链板 ① 几何外形优化，精密制造和热处理。锥形及喷丸处理后的链板接触率特别高。
- ELITE 销轴 ② 光滑平整，表面更坚硬。
- ELITE 套筒 ③ 均为标准的圆柱形，根据目标应用项目要求设计为无缝或有缝卷制套筒。
- ELITE 滚子 ④ 为无缝设计，且3/4英寸及以上尺寸的滚子经过回火处理，冲击强度更高。
- 所有链条部件均使用经过热处理的表面硬化钢制造。
- 初始润滑剂：**elidur+**

ELITE 特色

- 我们的链条采用大约40%的破断力进行预拉伸，比ISO 606标准要求的还高10%。
- 带 **elidur+** 的初始润滑剂可确保极高的耐磨性。
- 磨合伸长率低。
- 平均抗拉强度比ISO 606标准要求高20%。
- ELITE销轴 ② 光滑平整，表面更坚硬，以提升耐磨特性。**elidur+** 标准润滑剂的工作温度范围：-5°C至+70°C
- 所有版本均可提供涂层形式。
- 若客户要求，我公司可按照目标长度交付成品链条
- 若客户要求，可提供特殊润滑，满足-30°C低温至+250°C区间应用项目要求
- 应客户要求，伊维氏可交付2条配对或成套配对的带标识的链条

ELITE roller chains have a high wear resistance and significantly higher fatigue strength than the standard requires. The right choice for industrial applications: robust and reliable.

All ELITE transmission roller chains are highly pre-tensioned and treated with our special additive chain oil **elidur+**, a high-tech initial lubricant. Non-drip **elidur+** offers not only the added advantage of improved running characteristics, but also provides better corrosion protection.

ELITE specification

- ELITE chain plates ① with optimum geometry are precision-formed and heat-treated. The tapered and shot-blasted chain plates also have particularly high contact ratios.
- ELITE pins ② have a smooth, extra-hard surface.
- ELITE bushes ③ are absolutely cylindrical and available in seamless or wound versions, depending on application.
- ELITE rollers ④ are seamless, and sizes 3/4" and over are tempered for high impact strength.
- Heat-treated, case-hardened steel alloys are used for all chain components.
- Initial lubricant: **elidur+**

ELITE highlights

- Approx. 40% higher breaking strength is applied to pre-stretch our chains by 10% more than required by standard ISO 606.
- Initial lubrication with **elidur+** ensures extremely high wear resistance.
- Low run-in elongation.
- Tensile strength on average 20% higher than required by standard ISO 606.
- ELITE pins ② have a smooth, extra-hard surface for increased wear resistance.
- Operating temperature range with **elidur+** standard lubrication: -5 °C to +70 °C
- All versions also available in coated form.
- If required, we can deliver your chains ready-made to the desired length.
- Special lubricants for low temperatures down to -30 °C or high temperature applications up to +250 °C available on request.
- On request, iwis delivers chains pair-matched or set-matched and marked.

ELITE 高性能链条 - “重载”系列

ANSI链条以及按照欧洲标准制造的经过特殊加强的链条可用于极高负载的应用。“重载”版本的ANSI滚子链的尺寸与相应的ANSI链条相同，而链板厚度与下一个较大尺寸的链条的链板相同。

- H系列链条的销轴材料通常与标准滚子链相同。但是，其主要优点是比标准链条相比，它们具有更高的耐磨性和更大的拉伸强度，同时几乎保持了相同的破断强度。
- HV系列链条配有特殊的表面硬化合金钢销轴，不仅使链条具有更高的拉伸强度，而且具有极高的破断强度值。
- H.SP滚子链由特别优质的表面硬化合金钢制成，大大提高了抗拉强度。此外，链板中的销孔经过钢珠挤孔，可使链条具有最大的疲劳强度。
- 与H.SP链条不同，H.BC链条旨在最大程度地提高耐磨性，同时提高疲劳强度。销轴由特殊的表面硬化合金钢制成，并经过额外的高科技热处理。链条的拉伸强度与H.SP系列相似，但破断强度值较低。

产品范围

- 符合DIN ISO 606 (DIN 8187) (英国标准) 的滚子链
- 符合DIN ISO 606 (DIN 8188) (美国标准) 的滚子链
- 符合ISO 606 - 版本H/HV/H.SP/H.BC的滚链
- 符合ISO 606 (DIN 8187和DIN 8188) 的直链板滚子链
- 限制长度公差的滚子链 **新**
- 符合工程标准的滚子链
- 侧弯链
- O型圈滚子链 **新**

ELITE high-performance chains “Heavy” series

ANSI chains, as well as specially strengthened versions of chains manufactured to the European standard are available for applications with extremely high loads. “Heavy” versions of ANSI roller chains have the same dimensions as the corresponding ANSI chains, but with plates of the same thickness as those of the next larger size of chain.

- H series chains are generally made with the same pin materials as standard roller chains. However, their major advantage is that they provide higher wear resistance and greater tensile strength than standard chains, while retaining virtually the same breaking strength.
- HV series chains are fitted with special case-hardened steel alloy pins, giving the chains not only increased tensile strength, but also extremely high breaking strength values.
- H.SP roller chains are made from particularly high-quality case-hardened steel alloys for increased tensile strength. In addition, the pin holes in the chain plates are ball-drifted to give the chains maximum fatigue strength.
- H.BC chains – unlike H.SP chains – aim to maximise wear resistance while also increasing fatigue strength. The pins are made of special case-hardened steel alloy that is subjected to additional high-tech heat treatment. The chains offer a similar tensile strength to the H.SP series, but with lower breaking strength values.

Product range

- Roller chains according to DIN ISO 606 (DIN 8187) (British Standard)
- Roller chains according to DIN ISO 606 (DIN 8188) (ANSI Standard)
- Roller chains acc. to ISO 606 – Version H/HV/H.SP/H.BC
- Roller chains with straight plates according to ISO 606 (DIN 8187 und DIN 8188)
- Roller chains with restricted length tolerances **NEW**
- Roller chains according to works standard
- Side bow chains
- O-ring roller chains **NEW**





符合ISO 606的滚子链

Roller chains according to ISO 606

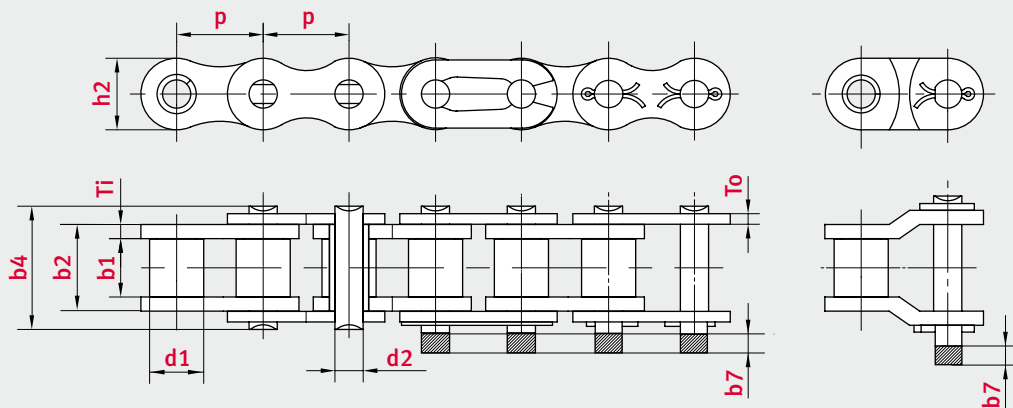
1

链条型号	节距	内节内宽	滚子直径	销轴直径	销轴长度	接头销轴增加的最大长度	内节外宽	链片厚度	内链板高度	最小抗拉强度	平均抗拉强度	每米重量	承压面积
Chain type	Pitch	Width between inner plates	Roller Ø	Pin Ø	Pin length	Max. add. length of connecting link	Total width inner link	Plate thickness	Height inner plate	Min. tensile strength	Avg. tensile strength	Weight per meter	Bearing area
ISO	p mm	最小值 b1 mm	最大值 d1 mm	最大值 d2 mm	最大值 b4 mm	最大值 b7 mm	最大值 b2 mm	Ti/To mm	最大值 h2 mm	FU kN	FB kN	q kg/m	f cm ²
04B-1	6	2,8	4	1,85	6,8	2,5	4,15	0,60/0,60	5	3	3,1	0,12	0,08
05B-1	8	3	5	2,31	8,6	3,1	4,77	0,80/0,80	7,11	4,4	6,3	0,2	0,11
06B-1¹	9,525	5,72	6,35	3,28	13,5	3,3	8,53	1,30/1,30	8,26	8,9	12,7	0,41	0,28
08B-1	12,7	7,75	8,51	4,45	17	3,9	11,3	1,60/1,60	11,81	17,8	19,6	0,69	0,5
10B-1	15,875	9,65	10,16	5,08	19,6	4,1	13,28	1,70/1,70	14,73	22,2	27,5	0,93	0,67
12B-1	19,05	11,68	12,07	5,72	22,7	4,6	15,62	1,85/1,85	16,13	28,9	33,3	1,15	0,89
16B-1	25,4	17,02	15,88	8,28	36,1	5,4	25,45	4,15/3,10	21,08	60	75,0	2,71	2,1
20B-1	31,75	19,56	19,05	10,19	43,2	6,1	29,01	4,50/3,50	26,42	95	101,8	3,7	2,96
24B-1	38,1	25,4	25,4	14,63	53,4	6,6	37,92	6,00/4,80	33,4	160	176	7,1	5,54
28B-1	44,45	30,99	27,94	15,9	65,1	7,4	46,58	7,50/6,00	37,08	200	215,6	8,5	7,4
32B-1	50,8	30,99	29,21	17,81	67,4	7,9	45,57	7,00/6,00	42,29	250	280,3	10,25	8,11
40B-1	63,5	38,1	39,37	22,89	82,6	10,2	55,75	8,50/8,00	52,96	355	392	16,35	12,75
48B-1	76,2	45,72	48,26	29,24	99,1	10,5	70,56	12,00/10,00	63,88	560	599,2	25	20,61
56B-1	88,9	53,34	53,98	34,32	114,6	11,7	81,33	13,50/12,00	77,85	850	940	35,78	27,9
64B-1	101,6	60,96	63,5	39,4	130,9	13	92,02	15,00/13,00	90,17	1120	1240	46	36,25
72B-1	114,3	68,58	72,39	44,48	147,4	14,3	103,81	17,00/15,00	103,63	1400	1540	60,8	46,19

BS - 单排

¹ 直链板

¹ Straight side plates





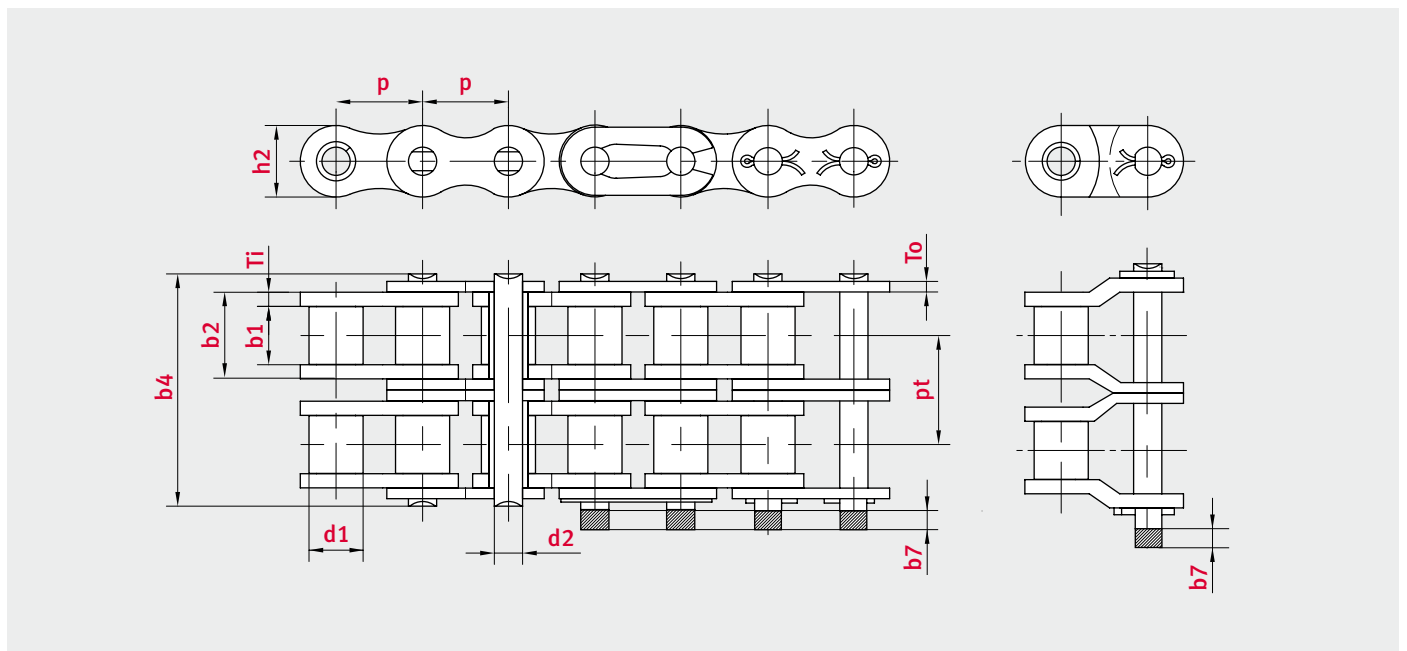
符合ISO 606的滚子链

Roller chains according to ISO 606

链条型号	节距	内节内宽	滚子直径	销轴直径	销轴长度	接头销轴增加的最大长度	内节外宽	链片厚度	内链板高度	排距	最小抗拉强度	平均抗拉强度	每米重量	承压面积
Chain type	Pitch	Width between inner plates	Roller Ø	Pin Ø	Pin length	Max. add. length of connecting link	Total width inner link	Plate thickness	Height inner plate	Transverse pitch	Min. tensile strength	Avg. tensile strength	Weight per meter	Bearing area
ISO	p mm	最小值 b1 mm	最大值 d1 mm	最大值 d2 mm	最大值 b4 mm	最大值 b7 mm	最大值 b2 mm	Ti/To mm	最大值 h2 mm	pt mm	FU kN	FB kN	q kg/m	f cm²
BS - 双排														
04B-2	6	2,8	4	1,85	12,3	2,5	4,15	0,60/0,60	5	5,5	5	5,8	0,24	0,16
05B-2	8	3	5	2,31	14,3	3,1	4,77	0,80/0,80	7,11	5,64	7,8	10,2	0,33	0,22
06B-2 ¹	9,525	5,72	6,35	3,28	23,8	3,3	8,53	1,30/1,30	8,26	10,24	16,9	18,1	0,77	0,56
08B-2	12,7	7,75	8,51	4,45	31	3,9	11,3	1,60/1,60	11,81	13,92	31,1	37,4	1,34	1,01
10B-2	15,875	9,65	10,16	5,08	36,2	4,1	13,28	1,70/1,70	14,73	16,59	44,5	54,2	1,84	1,34
12B-2	19,05	11,68	12,07	5,72	42,2	4,6	15,62	1,85/1,85	16,13	19,46	57,8	66,6	2,31	1,79
16B-2	25,4	17,02	15,88	8,28	68	5,4	25,45	4,15/3,10	21,08	31,88	106	126,5	5,42	4,21
20B-2	31,75	19,56	19,05	10,19	79,7	6,1	29,01	4,50/3,50	26,42	36,45	170	210	7,2	5,91
24B-2	38,1	25,4	25,4	14,63	101,8	6,6	37,92	6,00/4,80	33,4	48,36	280	305,5	13,4	11,09
28B-2	44,45	30,99	27,94	15,9	124,7	7,4	46,58	7,50/6,00	37,08	59,56	360	390,5	16,6	14,79
32B-2	50,8	30,99	29,21	17,81	126	7,9	45,57	7,00/6,00	42,29	58,55	450	487,5	21	16,21
40B-2	63,5	38,1	39,37	22,89	154,9	10,2	55,75	8,50/8,00	52,96	72,29	630	680,2	32	25,5
48B-2	76,2	45,72	48,26	29,24	190,4	10,5	70,56	12,00/10,00	63,88	91,21	1000	1070	50	41,23
56B-2	88,9	53,34	53,98	34,32	221,2	11,7	81,33	13,50/12,00	77,85	106,6	1600	1760	71,48	55,8
64B-2	101,6	60,96	63,5	39,4	250,8	13	92,02	15,00/13,00	90,17	119,89	2000	2200	91	72,5
72B-2	114,3	68,58	72,39	44,48	283,7	14,3	103,81	17,00/15,00	103,63	136,27	2500	2750	120,4	92,4

¹ 直链板

¹ Straight side plates





符合ISO 606的滚子链

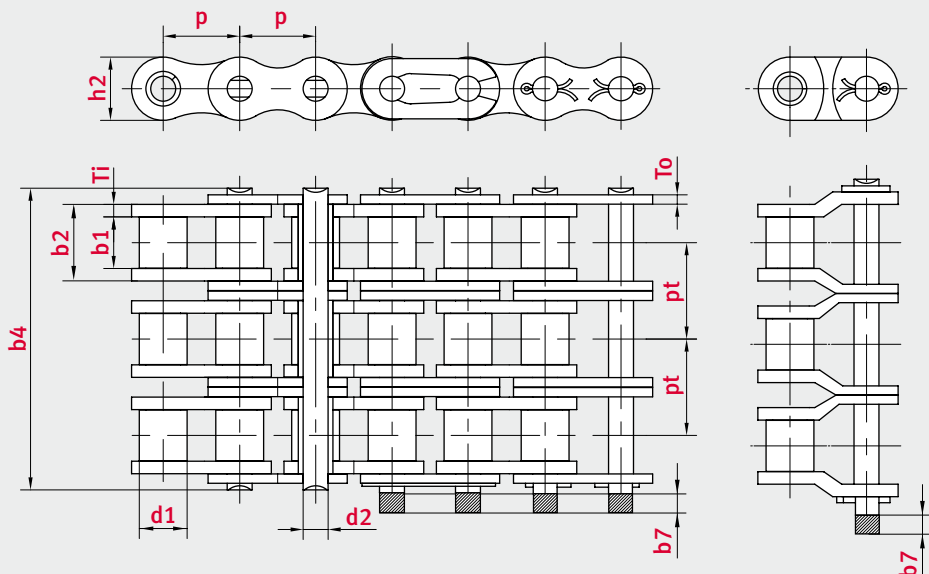
Roller chains according to ISO 606

1

链条型号	节距	内节内宽	滚子直径	销轴直径	销轴长度	接头销轴增加的最大长度	内节外宽	链片厚度	内链板高度	排距	最小抗拉强度	平均抗拉强度	每米重量	承压面积
Chain type	Pitch	Width between inner plates	Roller Ø	Pin Ø	Pin length	Max. add. length of connecting link	Total width inner link	Plate thickness	Height inner plate	Transverse pitch	Min. tensile strength	Avg. tensile strength	Weight per meter	Bearing area
ISO	p mm	最小值 b1 mm	最大值 d1 mm	最大值 d2 mm	最大值 b4 mm	最大值 b7 mm	最大值 b2 mm	Ti/To mm	最大值 h2 mm	pt mm	FU kN	FB kN	q kg/m	f cm ²
BS - 三排														
05B-3	8	3	5	2,31	19,9	3,1	4,77	0,80/0,80	7,11	5,64	11,1	13,8	0,48	0,33
06B-3 ¹	9,525	5,72	6,35	3,28	34	3,3	8,53	1,30/1,30	8,26	10,24	24,9	29,8	1,16	0,84
08B-3	12,7	7,75	8,51	4,45	44,9	3,9	11,3	1,60/1,60	11,81	13,92	44,5	50,2	2,03	1,51
10B-3	15,875	9,65	10,16	5,08	52,8	4,1	13,28	1,70/1,70	14,73	16,59	66,7	79,8	2,77	2,02
12B-3	19,05	11,68	12,07	5,72	61,7	4,6	15,62	1,85/1,85	16,13	19,46	86,7	101,8	3,46	2,68
16B-3	25,4	17,02	15,88	8,28	99,9	5,4	25,45	4,15/3,10	21,08	31,88	160	190	8,13	6,31
20B-3	31,75	19,56	19,05	10,19	116,1	6,1	29,01	4,50/3,50	26,42	36,45	250	276,2	10,82	8,87
24B-3	38,1	25,4	25,4	14,63	150,2	6,6	37,92	6,00/4,80	33,4	48,36	425	480	20,1	16,63
28B-3	44,45	30,99	27,94	15,9	184,3	7,4	46,58	7,50/6,00	37,08	59,56	530	580	24,92	22,18
32B-3	50,8	30,99	29,21	17,81	184,5	7,9	45,57	7,00/6,00	42,29	58,55	670	720,2	31,56	24,31
40B-3	63,5	38,1	39,37	22,89	227,2	10,2	55,75	8,50/8,00	52,96	72,29	950	1020	48,1	38,25
48B-3	76,2	45,72	48,26	29,24	281,6	10,5	70,56	12,00/10,00	63,88	91,21	1500	1590	75	61,84
56B-3	88,9	53,34	53,98	34,32	327,8	11,7	81,33	13,50/12,00	77,85	106,6	2240	2460	107,18	83,71
64B-3	101,6	60,96	63,5	39,4	370,7	13	92,02	15,00/13,00	90,17	119,89	3000	3300	136	108,74
72B-3	114,3	68,58	72,39	44,48	420	14,3	103,81	17,00/15,00	103,63	136,27	3750	4125	180	135,57

¹ 直链板

¹ Straight side plates





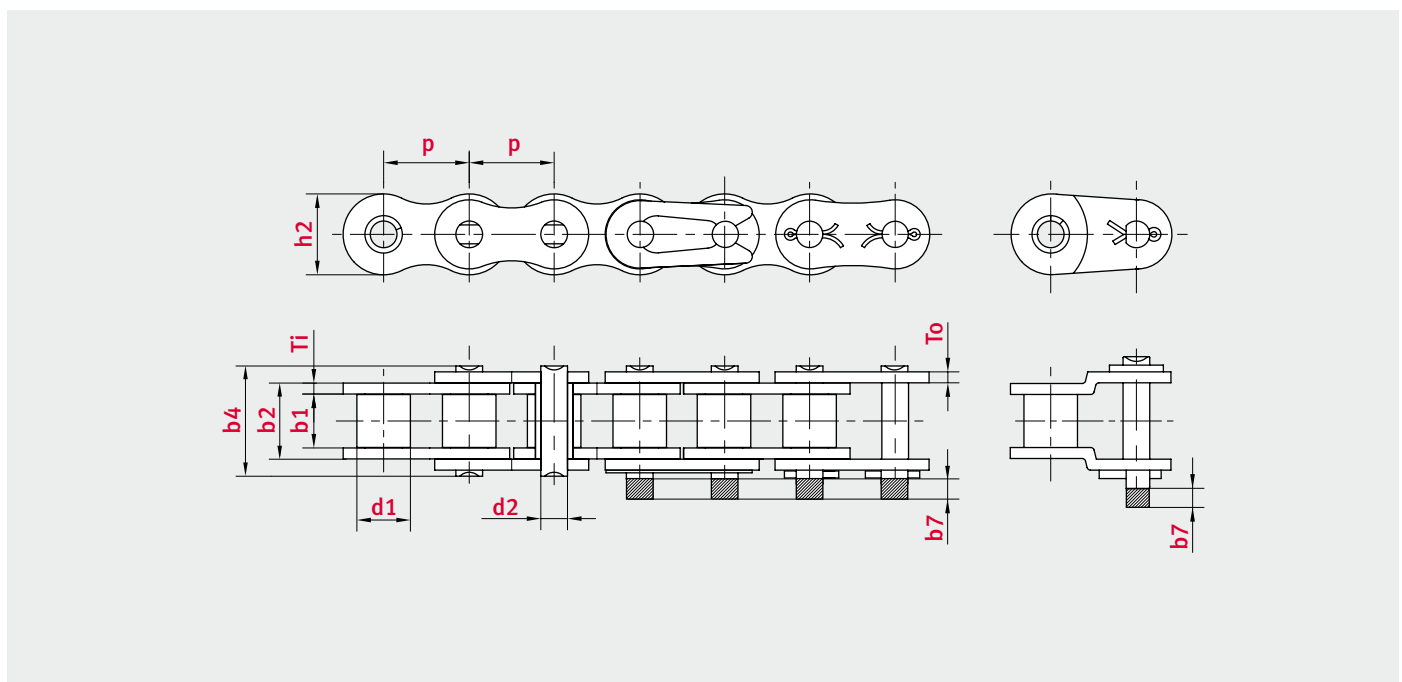
符合ISO 606 (ANSI B29.1) 的滚子链

Roller chains according to ISO 606 (ANSI B29.1)

链条型号 Chain type	节距 Pitch	内节内宽 Width between inner plates	滚子直径 Roller Ø	销轴直径 Pin Ø	销轴长度 Pin length	接头销轴增加的最大长度 Max. add. length of connecting link	内节外宽 Total width inner link	链片厚度 Plate thickness	内链板高度 Height inner plate	最小抗拉强度 Min. tensile strength	平均抗拉强度 Avg. tensile strength	每米重量 Weight per meter	承压面积 Bearing area
ANSI	p mm	最小值 b1 mm	最大值 d1 mm	最大值 d2 mm	最大值 b4 mm	最大值 b7 mm	最大值 b2 mm	Ti/To mm	最大值 h2 mm	FU kN	FB kN	q kg/m	f cm ²
ANSI - 单排													
25-1 ¹	6,35	3,1	3,3	2,31	9,1	2,5	4,8	0,80/0,80	6,02	3,5	4,4	0,15	0,11
35-1 ¹	9,525	4,68	5,08	3,6	13,2	3,3	7,46	1,30/1,00	9,05	7,9	10,4	0,33	0,27
40-1	12,7	7,85	7,92	3,98	17,8	3,9	11,17	1,50/1,50	12,07	13,9	17,8	0,62	0,43
50-1	15,875	9,4	10,16	5,09	21,8	4,1	13,84	2,00/2,00	15,09	21,8	28	1,02	0,69
60-1	19,05	12,57	11,91	5,96	26,9	4,6	17,75	2,40/2,40	18,1	31,3	39	1,5	1,05
80-1	25,4	15,75	15,88	7,94	33,5	5,4	22,6	3,10/3,10	24,13	55,6	71,5	2,6	1,77
100-1	31,75	18,9	19,05	9,54	41,1	6,1	27,45	4,00/4,00	30,17	87	102	3,91	2,58
120-1	38,1	25,22	22,23	11,11	50,8	6,6	35,45	4,80/4,80	36,2	125	156,9	5,62	3,89
140-1	44,45	25,22	25,4	12,71	54,9	7,4	37,18	5,60/5,60	42,23	170	210,8	7,5	4,64
160-1	50,8	31,55	28,58	14,29	65,5	7,9	45,21	6,40/6,40	48,26	223	269,7	10,1	6,36
180-1	57,15	35,48	35,71	17,46	73,9	9,1	50,85	7,20/7,20	54,3	281	327,8	13,45	8,75
200-1	63,5	37,85	39,68	19,85	80,3	10,2	54,88	8,00/8,00	60,33	347	410	16,15	10,73
240-1	76,2	47,35	47,63	23,81	95,5	10,5	67,81	9,50/9,50	72,39	500	585,4	23,2	15,86

¹ 套筒链：表中的d1代表套筒的外径。这些链条不配备滚子。

¹ Bushing chain: d1 in the table indicate the external diameter of the bushing. These chains have no rollers.





符合ISO 606 (ANSI B29.1) 的滚子链

Roller chains according to ISO 606 (ANSI B29.1)

1

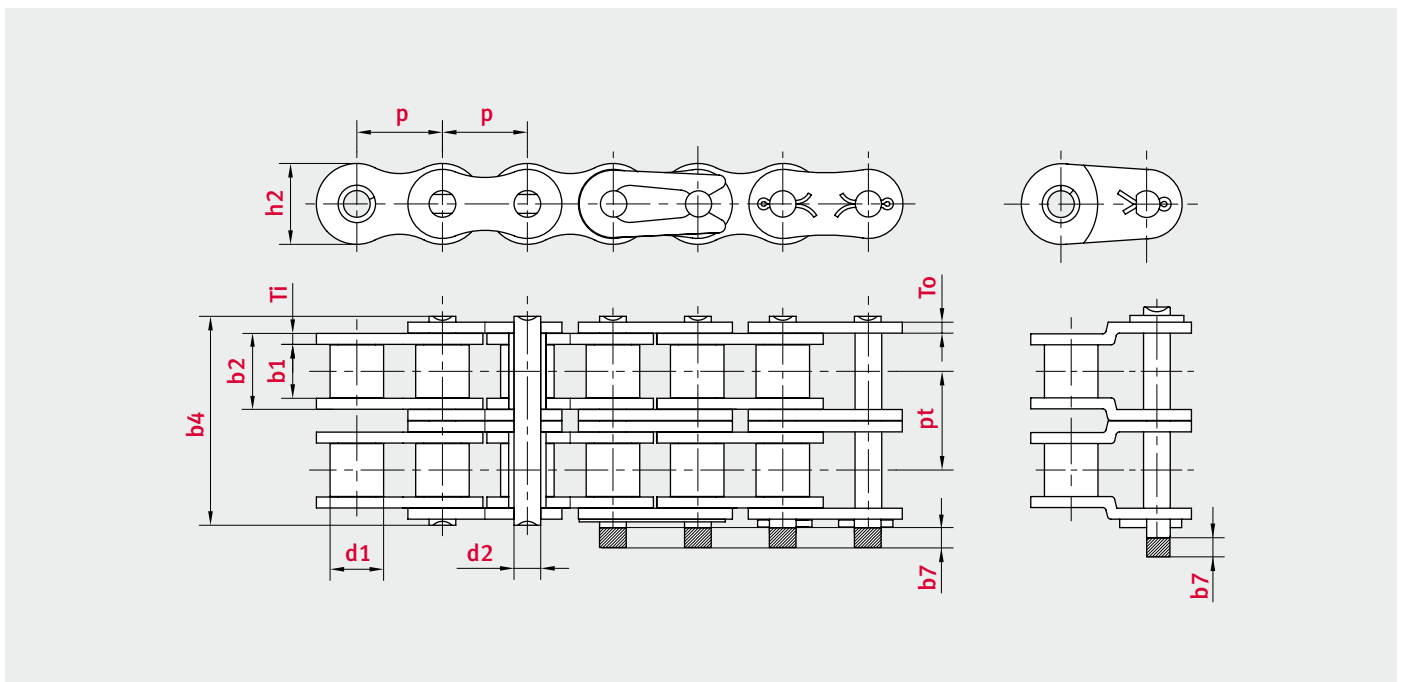
链条型号	节距	内节内宽	滚子直径	销轴直径	销轴长度	接头销轴增加的最大长度	内节外宽	链片厚度	内链板高度	排距	最小抗拉强度	平均抗拉强度	每米重量	承压面积
Chain type	Pitch	Width between inner plates	Roller Ø	Pin Ø	Pin length	Max. add. length of connecting link	Total width inner link	Plate thickness	Height inner plate	Transverse pitch	Min. tensile strength	Avg. tensile strength	Weight per meter	Bearing area
ANSI	p mm	最小值 b1 mm	最大值 d1 mm	最大值 d2 mm	最大值 b4 mm	最大值 b7 mm	最大值 b2 mm	Ti/To mm	最大值 h2 mm	pt mm	FU kN	FB kN	q kg/m	f cm ²

ANSI - 双排

25-2 ¹	6,35	3,1	3,3	2,31	15,5	2,5	4,8	0,80/0,80	6,02	6,4	7	8,8	0,28	0,22
35-2 ¹	9,525	4,68	5,08	3,6	23,4	3,3	7,46	1,30/1,00	9,05	10,13	15,8	20,8	0,63	0,53
40-2	12,7	7,85	7,92	3,98	32,3	3,9	11,17	1,50/1,50	12,07	14,38	27,8	35,6	1,12	0,87
50-2	15,875	9,4	10,16	5,09	39,9	4,1	13,84	2,00/2,00	15,09	18,11	43,6	56	2	1,38
60-2	19,05	12,57	11,91	5,96	49,8	4,6	17,75	2,40/2,40	18,1	22,78	62,6	82,4	2,92	2,1
80-2	25,4	15,75	15,88	7,94	62,7	5,4	22,6	3,10/3,10	24,13	29,29	111,2	143	5,15	3,54
100-2	31,75	18,9	19,05	9,54	77	6,1	27,45	4,00/4,00	30,17	35,76	174	204	7,8	5,16
120-2	38,1	25,22	22,23	11,11	96,3	6,6	35,45	4,80/4,80	36,2	45,44	250	313,8	11,7	7,78
140-2	44,45	25,22	25,4	12,71	103,6	7,4	37,18	5,60/5,60	42,23	48,87	340	421,7	15,14	9,4
160-2	50,8	31,55	28,58	14,29	124,2	7,9	45,21	6,40/6,40	48,26	58,55	446	539,4	20,14	12,72
180-2	57,15	35,48	35,71	17,46	140	9,1	50,85	7,20/7,20	54,3	65,84	562	655,7	26,4	17,5
200-2	63,5	37,85	39,68	19,85	151,9	10,2	54,88	8,00/8,00	60,33	71,55	694	820	31,7	21,5
240-2	76,2	47,35	47,63	23,81	183,4	10,5	67,81	9,50/9,50	72,39	87,83	1000	1170,8	45,23	31,7

¹ 套筒链：表中的d1代表套筒的外径。这些链条不配备滚子。

¹ Bushing chain: d1 in the table indicate the external diameter of the bushing. These chains have no rollers.



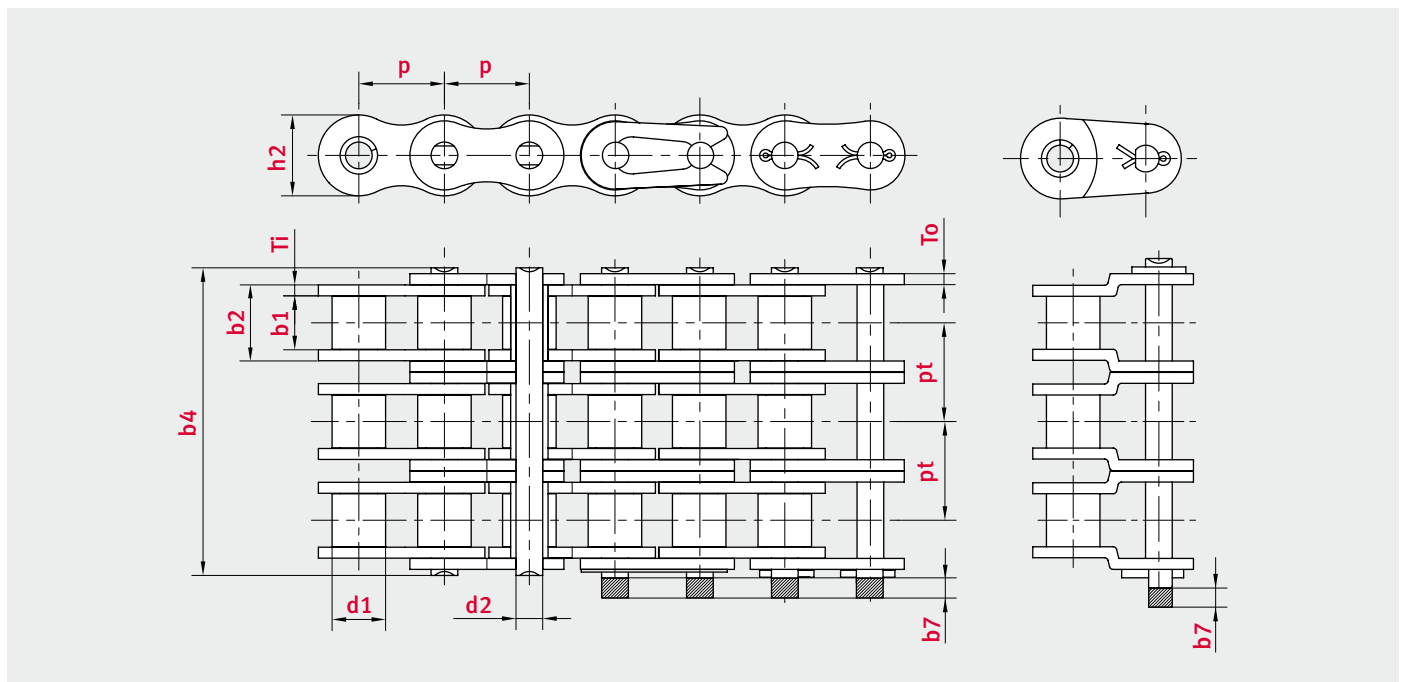
ELITE® 符合ISO 606 (ANSI B29.1) 的滚子链
Roller chains according to ISO 606 (ANSI B29.1)

1

链条型号 Chain type	节距 Pitch	内节内宽 Width between inner plates	滚子直径 Roller Ø	销轴直径 Pin Ø	销轴长度 Pin length	接头销轴增加的最大长度 Max. add. length of connecting link	内节外宽 Total width inner link	链片厚度 Plate thickness	内链板高度 Height inner plate	排距 Transverse pitch	最小抗拉强度 Min. tensile strength	平均抗拉强度 Avg. tensile strength	每米重量 Weight per meter	承压面积 Bearing area
ANSI	p mm	最小值 b1 mm	最大值 d1 mm	最大值 d2 mm	最大值 b4 mm	最大值 b7 mm	最大值 b2 mm	Ti/To mm	最大值 h2 mm	pt mm	FU kN	FB kN	q kg/m	f cm²
ANSI - 三排														
25-3 ¹	6,35	3,1	3,3	2,31	21,8	2,5	4,8	0,80/0,80	6,02	6,4	10,5		0,44	0,33
35-3 ¹	9,525	4,68	5,08	3,6	33,5	3,3	7,46	1,30/1,00	9,05	10,13	23,7	30	1,05	0,8
40-3	12,7	7,85	7,92	3,98	46,7	3,9	11,17	1,50/1,50	12,07	14,38	41,7	51,2	1,9	1,3
50-3	15,875	9,4	10,16	5,09	57,9	4,1	13,84	2,00/2,00	15,09	18,11	65,4	82	3,09	2,07
60-3	19,05	12,57	11,91	5,96	72,6	4,6	17,75	2,40/2,40	18,1	22,78	93,9	115	4,54	3,13
80-3	25,4	15,75	15,88	7,94	91,9	5,4	22,6	3,10/3,10	24,13	29,29	166,8	208	7,89	5,31
100-3	31,75	18,9	19,05	9,54	113	6,1	27,45	4,00/4,00	30,17	35,76	261	310	11,77	7,73
120-3	38,1	25,22	22,23	11,11	141,7	6,6	35,45	4,80/4,80	36,2	45,44	375	470,7	17,53	11,66
140-3	44,45	25,22	25,4	12,71	152,4	7,4	37,18	5,60/5,60	42,23	48,87	510	632,5	22,2	14,1
160-3	50,8	31,55	28,58	14,29	182,9	7,9	45,21	6,40/6,40	48,26	58,55	669	809	30,02	19,1
180-3	57,15	35,48	35,71	17,46	206	9,1	50,85	7,20/7,20	54,3	65,84	843	983,6	39,9	26,2
200-3	63,5	37,85	39,68	19,85	223,5	10,2	54,88	8,00/8,00	60,33	71,55	1041	1230	49,03	32,2
240-3	76,2	47,35	47,63	23,81	271,3	10,5	67,81	9,50/9,50	72,39	87,83	1500	1756,2	72,7	47,6

¹ 套筒链：表中的d1代表套筒的外径。这些链条不配备滚子。

¹ Bushing chain: d1 in the table indicate the external diameter of the bushing. These chains have no rollers.





符合ISO 606的滚子链 - 重载系列H

Roller chains according to ISO 606 – Heavy series H

1

链条型号	节距	内节内宽	滚子直径	销轴直径	销轴长度	接头销轴增加的最大长度	内节外宽	链片厚度	内链板高度	排距	最小抗拉强度	每米重量	承压面积
Chain type	Pitch	Width between inner plates	Roller Ø	Pin Ø	Pin length	Max. add. length of connecting link	Total width inner link	Plate thickness	Height inner plate	Transverse pitch	Min. tensile strength	Weight per meter	Bearing area
	p mm	最小值 b1 mm	最大值 d1 mm	最大值 d2 mm	最大值 b4 mm	最大值 b7 mm	最大值 b2 mm	Ti/To mm	最大值 h2 mm	pt mm	FU kN	q kg/m	f cm ²

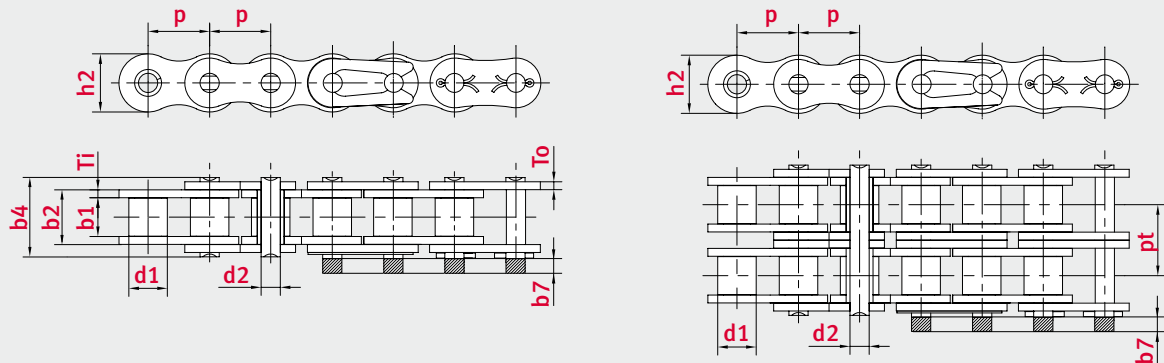
ANSI-H - 单排 重型

40-1 H	12,7	7,85	7,92	3,98	18,8	3,9	12,2	2	12,07	-	14,1	0,82	0,49
50-1 H	15,875	9,4	10,16	5,09	22,6	4,1	14,5	2,4	15,09	-	22,2	1,23	0,74
60-1 H	19,05	12,57	11,91	5,96	30,2	4,6	19,43	3,2	18,1	-	31,3	1,87	1,16
80-1 H	25,4	15,75	15,88	7,94	37,4	5,4	24,28	4	24,13	-	55,6	3,1	1,93
100-1 H	31,75	18,9	19,05	9,54	44,5	6,1	29,1	4,8	30,17	-	87	4,52	2,78
120-1 H	38,1	25,22	22,23	11,11	55	6,6	37,18	5,6	36,2	-	125	6,6	4,13
140-1 H	44,45	25,22	25,4	12,71	59	7,4	38,86	6,4	42,23	-	170	8,3	4,94
160-1 H	50,8	31,55	28,58	14,29	69,4	7,9	46,88	7,2	48,26	-	223	10,3	6,7
180-1 H	57,15	35,48	35,71	17,46	77,3	9,1	52,5	8	54,3	-	281	14,83	9,17
200-1 H	63,5	37,85	39,68	19,85	87,1	10,2	58,29	9,5	60,33	-	347	19,16	11,57
240-1 H	76,2	47,35	47,63	23,81	114	10,5	74,54	12,7	72,39	-	500	30,4	17,75

ANSI-H - 双排 重型

60-2 H	19,05	12,57	11,91	5,96	56,3	4,6	19,43	3,2	18,1	26,11	62,6	3,71	2,32
80-2 H	25,4	15,75	15,88	7,94	70	5,4	24,28	4	24,13	32,59	112,2	6,15	3,86
100-2 H	31,75	18,9	19,05	9,54	83,6	6,1	29,1	4,8	30,17	39,09	174	9,03	5,56
120-2 H	38,1	25,22	22,23	11,11	103,9	6,6	37,18	5,6	36,2	48,87	250	13,13	8,26

应客户要求可提供更多双排链和三排链。
More duplex and triplex chains on request.

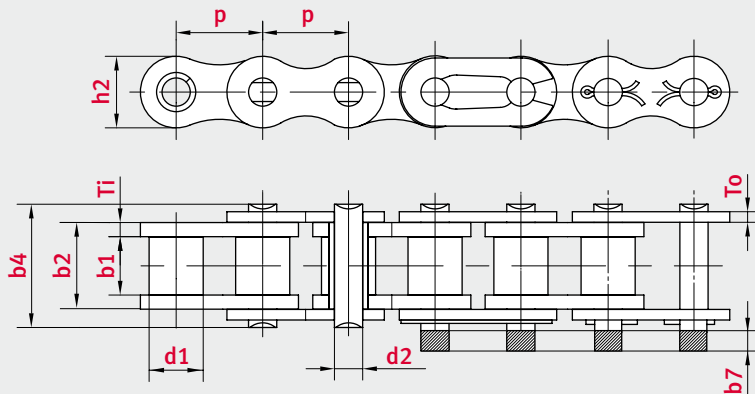




符合ISO 606的滚子链 - 重载系列HV/H.SP/H.BC

Roller chains according to ISO 606 – Heavy series HV / H.SP / H.BC

链条型号	节距	内节内宽	滚子直径	销轴直径	销轴长度	接头销轴增加的最大长度	内节外宽	链片厚度	内链板高度	最小抗拉强度	每米重量	承压面积
Chain type	Pitch	Width between inner plates	Roller Ø	Pin Ø	Pin length	Max. add. length of connecting link	Total width inner link	Plate thickness	Height inner plate	Min. tensile strength	Weight per meter	Bearing area
	p mm	最小值 b1 mm	最大值 d1 mm	最大值 d2 mm	最大值 b4 mm	最大值 b7 mm	最大值 b2 mm	Ti/To mm	最大值 h2 mm	FU kN	q kg/m	f cm²
ANSI-HV												
50-1 HV	15,875	9,4	10,16	5,09	22,6	4,1	14,5	2,4	15,09	36,7	1,23	0,74
60-1 HV	19,05	12,57	11,91	5,96	30,2	4,6	19,43	3,2	18,1	40	1,87	1,16
80-1 HV	25,4	15,75	15,88	7,94	37,4	5,4	24,28	4	24,13	80	3,1	1,93
100-1 HV	31,75	18,9	19,05	9,54	44,5	6,1	29,1	4,7	30,17	133,4	4,52	2,78
120-1 HV	38,1	25,22	22,23	11,11	55	6,6	37,18	5,6	36,2	182,4	6,6	4,13
140-1 HV	44,45	25,22	25,4	12,71	59	7,4	38,86	6,3	42,23	243,6	8,3	4,94
ANSI-H.SP												
60-1 H.SP	19,05	12,57	11,91	5,96	30,2	4,6	19,43	3,2	18,1	55	1,87	1,16
80-1 H.SP	25,4	15,75	15,88	7,94	37,4	5,4	24,28	4	24,13	89	3,1	1,93
100-1 H.SP	31,75	18,9	19,05	9,54	44,5	6,1	29,1	4,7	30,17	133,5	4,52	2,78
120-1 H.SP	38,1	25,22	22,23	11,11	55	6,6	37,18	5,6	36,2	182,4	6,6	4,13
ANSI-H.BC												
60-1 H.BC	19,05	12,57	11,91	5,96	30,2	4,6	19,43	3,2	18,1	40,0	1,87	1,16
80-1 H.BC	25,4	15,75	15,88	7,94	37,4	5,4	24,28	4,0	24,13	65,0	3,1	1,93
100-1 H.BC	31,75	18,9	19,05	9,54	44,5	6,1	29,1	4,8	30,17	100,0	4,54	2,78



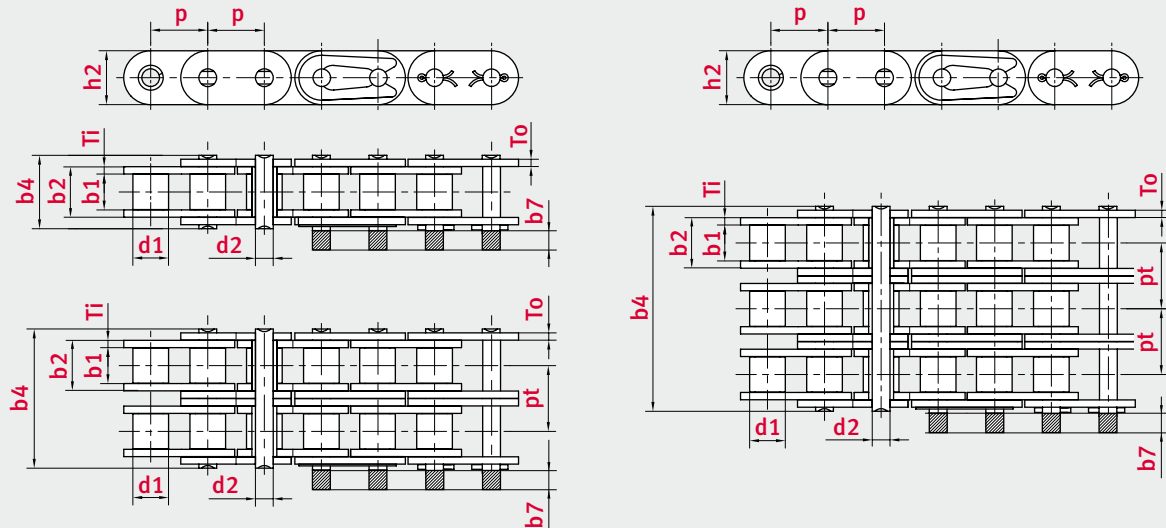


符合ISO 606的滚子链 - 直链板

Roller chains according to ISO 606 – Straight side plates

1

链条型号	节距	内节内宽	滚子直径	销轴直径	销轴长度	接头销轴增加的最大长度	内节外宽	链片厚度	内链板高度	排距	最小抗拉强度	每米重量	承压面积
Chain type	Pitch	Width between inner plates	Roller Ø	Pin Ø	Pin length	Max. add. length of connecting link	Total width inner link	Plate thickness	Height inner plate	Transverse pitch	Min. tensile strength	Weight per meter	Bearing area
	p mm	最小值 b1 mm	最大值 d1 mm	最大值 d2 mm	最大值 b4 mm	最大值 b7 mm	最大值 b2 mm	Ti/To mm	最大值 h2 mm	pt mm	FU kN	q kg/m	f cm ²
BS - 单排													
08B-1 GL	12,7	7,75	8,51	4,45	17	3,9	11,3	1,60/1,60	11,81	-	17,8	0,8	0,5
10B-1 GL	15,875	9,65	10,16	5,08	19,6	4,1	13,28	1,70/1,70	14,73	-	22,2	1,06	0,67
12B-1 GL	19,05	11,68	12,07	5,72	22,7	4,6	15,62	1,85/1,85	16,13	-	28,9	1,32	0,89
16B-1 GL21	25,4	17,02	15,88	8,28	36,1	5,4	25,45	4,15/3,10	21,08	-	60	3,08	2,1
16B-1 GL24	25,4	17,02	15,88	8,28	36,1	5,4	25,45	4,15/3,10	24	-	60	3,08	2,1
20B-1 GL	31,75	19,56	19,05	10,19	43,2	6,1	29,01	4,50/3,50	26,42	-	95	4,16	2,96
24B-1 GL	38,1	25,4	25,4	14,63	53,4	6,6	37,92	6,00/4,80	33,4	-	160	7,47	5,54
BS - 双排													
08B-2 GL	12,7	7,75	8,51	4,45	31	3,9	11,3	1,60/1,60	11,81	13,92	31,1	1,45	1,01
10B-2 GL	15,875	9,65	10,16	5,08	36,2	4,1	13,28	1,70/1,70	14,73	16,59	44,5	2	1,34
12B-2 GL	19,05	11,68	12,07	5,72	42,2	4,6	15,62	1,85/1,85	16,13	19,46	57,8	2,62	1,79
16B-2 GL21	25,4	17,02	15,88	8,28	68	5,4	25,45	4,15/3,10	21,08	31,88	106	6,1	4,21
16B-2 GL24	25,4	17,02	15,88	8,28	68	5,4	25,45	4,15/3,10	24	31,88	106	6,1	4,21
20B-2 GL	31,75	19,56	19,05	10,19	79,7	6,1	29,01	4,50/3,50	26,42	36,45	170	8,23	5,91
BS - 三排													
08B-3 GL	12,7	7,75	8,51	4,45	44,9	3,9	11,3	1,60/1,60	11,81	13,92	44,5	2,1	1,51
10B-3 GL	15,875	9,65	10,16	5,08	52,8	4,1	13,28	1,70/1,70	14,73	16,59	66,7	2,87	2,02
12B-3 GL	19,05	11,68	12,07	5,72	61,7	4,6	15,62	1,85/1,85	16,13	19,46	86,7	3,89	2,68
16B-3 GL	25,4	17,02	15,88	8,28	99,9	5,4	25,45	4,15/3,10	21,08	31,88	160	9,12	6,31
20B-3 GL	31,75	19,56	19,05	10,19	116,1	6,1	29,01	4,50/3,50	26,42	36,45	250	11,34	8,87





符合ISO 606的滚子链 - 直链板

Roller chains according to ISO 606 – Straight side plates

链条型号	节距	内节内宽	滚子直径	销轴直径	销轴长度	接头销轴增加的最大长度	内节外宽	链片厚度	内链板高度	排距	最小抗拉强度	每米重量	承压面积
Chain type	Pitch	Width between inner plates	Roller Ø	Pin Ø	Pin length	Max. add. length of connecting link	Total width inner link	Plate thickness	Height inner plate	Transverse pitch	Min. tensile strength	Weight per meter	Bearing area
	p mm	最小值 b1 mm	最大值 d1 mm	最大值 d2 mm	最大值 b4 mm	最大值 b7 mm	最大值 b2 mm	Ti/To mm	最大值 h2 mm	pt mm	FU kN	q kg/m	f cm²

ANSI - 单排

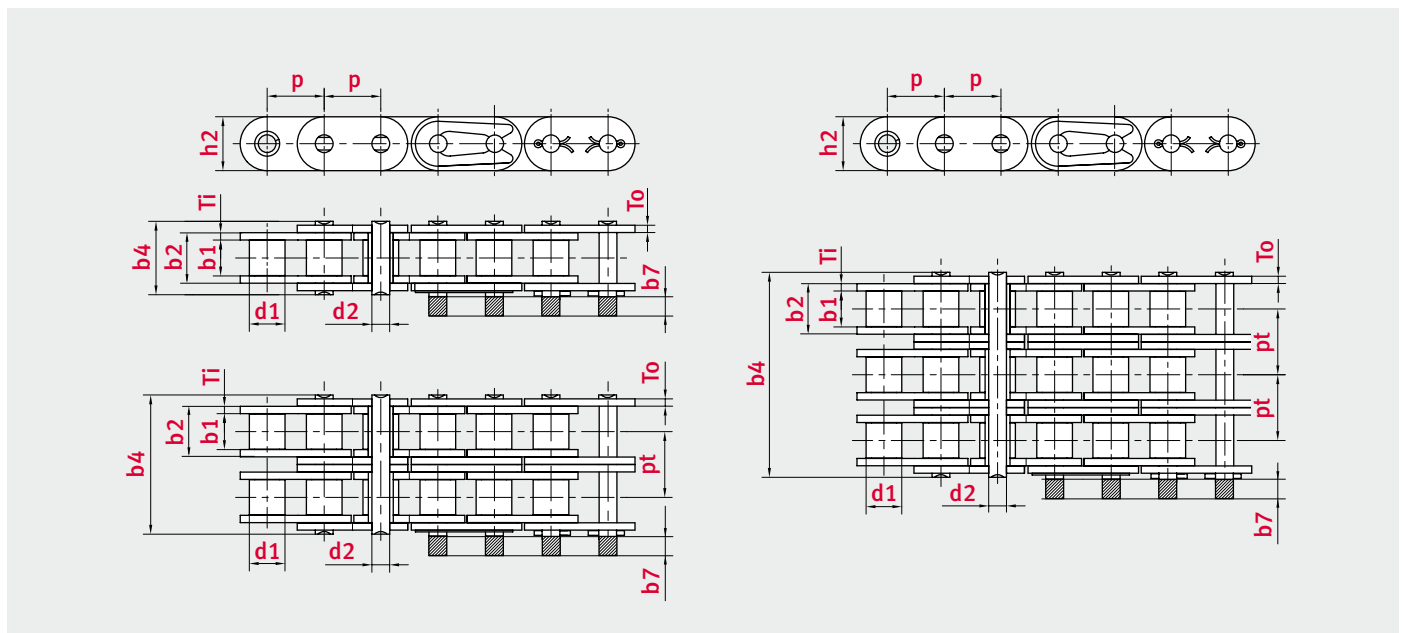
35-1 GL	9,525	4,68	5,08	3,6	13,2	3,3	7,46	1,30/1,00	9,05	-	7,9	0,33	0,27
40-1 GL	12,7	7,85	7,92	3,98	17,8	3,9	11,17	1,50/1,50	12,07	-	13,9	0,62	0,43
50-1 GL	15,875	9,4	10,16	5,09	21,8	4,1	13,84	2,00/2,00	15,09	-	21,8	1,02	0,69
60-1 GL	19,05	12,57	11,91	5,96	26,9	4,6	17,75	2,40/2,40	18,1	-	31,3	1,5	1,05
80-1 GL	25,4	15,75	15,88	7,94	33,5	5,4	22,6	3,10/3,10	24,13	-	55,6	2,6	1,77
100-1 GL	31,75	18,9	19,05	9,54	41,1	6,1	27,45	4,00/4,00	30,17	-	87	3,91	2,58
120-1 GL	38,1	25,22	22,23	11,11	50,8	6,6	35,45	4,80/4,80	36,2	-	125	5,62	3,89

ANSI - 双排

40-2 GL	12,7	7,85	7,92	3,98	32,3	3,9	11,17	1,50/1,50	12,07	14,38	27,8	1,12	0,87
50-2 GL	15,875	9,4	10,16	5,09	39,9	4,1	13,84	2,00/2,00	15,09	18,11	43,6	2	1,38
60-2 GL	19,05	12,57	11,91	5,96	49,8	4,6	17,75	2,40/2,40	18,1	22,78	62,6	2,92	2,1
80-2 GL	25,4	15,75	15,88	7,94	62,7	5,4	22,6	3,10/3,10	24,13	29,29	111,2	5,15	3,54
100-2 GL	31,75	18,9	19,05	9,54	77	6,1	27,45	4,00/4,00	30,17	35,76	174	7,8	5,16

ANSI - 三排

40-3 GL	12,7	7,85	7,92	3,98	46,7	3,9	11,17	1,50/1,50	12,07	14,38	41,7	1,9	1,3
50-3 GL	15,875	9,4	10,16	5,09	57,9	4,1	13,84	2,00/2,00	15,09	18,11	65,4	3,09	2,07
60-3 GL	19,05	12,57	11,91	5,96	72,6	4,6	17,75	2,40/2,40	18,1	22,78	93,9	4,54	3,13
80-3 GL	25,4	15,75	15,88	7,94	91,9	5,4	22,6	3,10/3,10	24,13	29,29	166,8	7,89	5,31





限制长度公差的滚子链

Roller chains with restricted length tolerances

如今，越来越多的链条应用要求使用限制长度公差的滚子链，这是我们产品品牌ELITE迈出的一大步。从现在起，可以提供各种限制长度公差的ELITE标准链条。

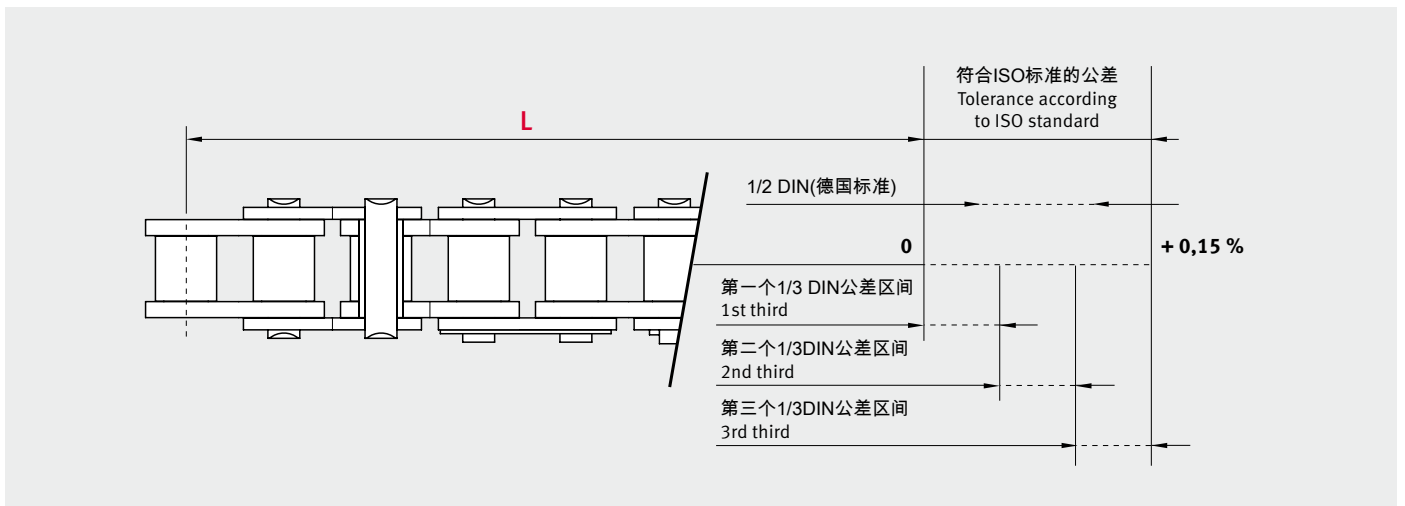
理论依据

DIN ISO 606规定，在规定的测量力和测量长度下，标准链条长度须在其名义长度的+0至+0.15%的公差范围内。意即5米长的标准链条最长可以延长7.5毫米。

More and more chain applications now require the use of roller chains with restricted length tolerances – a challenge our product brand ELITE takes in its stride. From now on, various ELITE standard chains can be supplied with restricted length tolerances.

Theoretical basis

DIN ISO 606 specifies that chain length must lie in a tolerance range of +0 to +0.15% of its nominal length at a defined measurement force and measurement length. This means that a 5-metre long standard chain can be up to 7.5 mm longer.



伊维氏的服务

ELITE标准滚子链采用特殊生产工艺制造，可确保在任何给定的生产批次中最大长度公差仅为0.05%，因此有效地减小了单个链条之间的长度差异。

供货范围

- 符合ISO 606 (DIN 8187) 的滚子链，尺寸为3/8英寸至1¼英寸
- 符合ANSI标准的滚子链 (DIN 8188)，尺寸为3/8英寸至1¼英寸
- 防腐蚀型滚子链
- 可按需提供限制长度公差的特殊链条

What iwis offers

ELITE standard roller chains are manufactured by a special production process to ensure a maximum length tolerance of only 0.05% in any given production batch, so length discrepancies between individual chains are effectively minimised.

Delivery scope

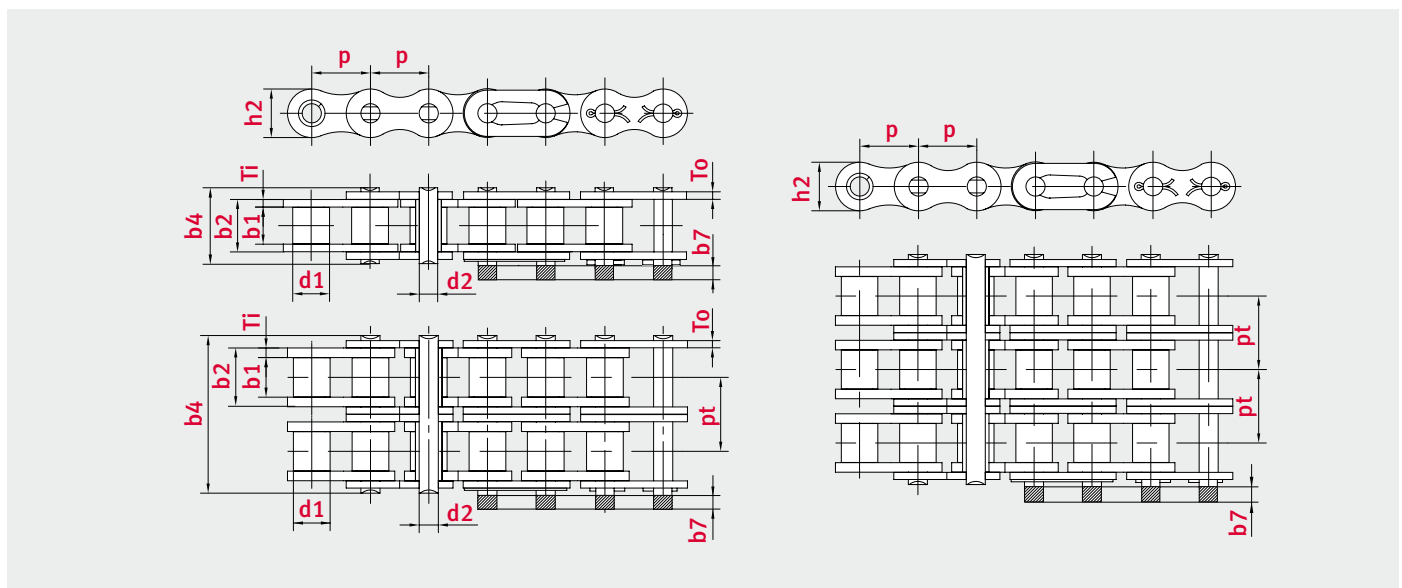
- Roller chains according to ISO 606 (DIN 8187) in the sizes 3/8 inch to 1 ¼ inch
- Equivalent ANSI standard chains (DIN 8188)
- Roller chains in corrosion-protected versions
- Special chains with restricted length tolerances available on request.

ELITE® 限制长度公差的滚子链
Roller chains with restricted length tolerances

1

链条型号 Chain type	节距 Pitch	内节内宽 Width between inner plates	滚子直径 Roller Ø	销轴直径 Pin Ø	销轴长度 Pin length	接头销轴增加的最大长度 Max. add. length of connecting link	内节外宽 Total width inner link	链片厚度 Plate thickness	内链板高度 Height inner plate	排距 Transverse pitch	最小抗拉强度 Min. tensile strength	每米重量 Weight per meter	承压面积 Bearing area
	p mm	最小值 b1 mm	最大值 d1 mm	最大值 d2 mm	最大值 b4 mm	最大值 b7 mm	最大值 b2 mm	Ti/To mm	最大值 h2 mm	pt mm	FU kN	q kg/m	f cm²
BS - 单排													
06B-1 LT ¹	9,525	5,72	6,35	3,28	13,5	3,3	8,53	1,30/1,30	8,26	-	8,9	0,41	0,28
08B-1 LT	12,7	7,75	8,51	4,45	17	3,9	11,3	1,60/1,60	11,81	-	17,8	0,69	0,5
10B-1 LT	15,875	9,65	10,16	5,08	19,6	4,1	13,28	1,70/1,70	14,73	-	22,2	0,93	0,67
12B-1 LT	19,05	11,68	12,07	5,72	22,7	4,6	15,62	1,85/1,85	16,13	-	28,9	1,15	0,89
16B-1 LT	25,4	17,02	15,88	8,28	36,1	5,4	25,45	4,15/3,10	21,08	-	60	2,71	2,1
20B-1 LT	31,75	19,56	19,05	10,19	43,2	6,1	29,01	4,50/3,50	26,42	-	95	3,7	2,96
BS - 双排													
06B-2 LT ¹	9,525	5,72	6,35	3,28	23,8	3,3	8,53	1,30/1,30	8,26	10,24	16,9	0,77	0,56
08B-2 LT	12,7	7,75	8,51	4,45	31	3,9	11,3	1,60/1,60	11,81	13,92	31,1	1,34	1,01
10B-2 LT	15,875	9,65	10,16	5,08	36,2	4,1	13,28	1,70/1,70	14,73	16,59	44,5	1,84	1,34
12B-2 LT	19,05	11,68	12,07	5,72	42,2	4,6	15,62	1,85/1,85	16,13	19,46	57,8	2,31	1,79
16B-2 LT	25,4	17,02	15,88	8,28	68	5,4	25,45	4,15/3,10	21,08	31,88	106	5,42	4,21
20B-2 LT	31,75	19,56	19,05	10,19	79,7	6,1	29,01	4,50/3,50	26,42	36,45	170	7,2	5,91
BS - 三排													
06B-3 LT ¹	9,525	5,72	6,35	3,28	34	3,3	8,53	1,30/1,30	8,26	10,24	24,9	1,16	0,84
08B-3 LT	12,7	7,75	8,51	4,45	44,9	3,9	11,3	1,60/1,60	11,81	13,92	44,5	2,03	1,51
10B-3 LT	15,875	9,65	10,16	5,08	52,8	4,1	13,28	1,70/1,70	14,73	16,59	66,7	2,77	2,02
12B-3 LT	19,05	11,68	12,07	5,72	61,7	4,6	15,62	1,85/1,85	16,13	19,46	86,7	3,46	2,68
16B-3 LT	25,4	17,02	15,88	8,28	99,9	5,4	25,45	4,15/3,10	21,08	31,88	160	8,13	6,31
20B-3 LT	31,75	19,56	19,05	10,19	116,1	6,1	29,01	4,50/3,50	26,42	36,45	250	10,82	8,87

¹ 直链板
¹ Straight side plates





符合ELITE工程标准的滚子链

Roller chains according to ELITE works standard

ELITE滚子链根据ISO 9001高质量标准制造。伊维氏通过将最先进的质量保证方法与自身的检验和测试设施相结合，保障了其ELITE产品系列始终如一的高品质。我们的特种链条已经在大量应用中被用作解决特殊问题的解决方案：

符合工程标准的ELITE滚子链

这些链条是根据各种客户特定要求定制的，例如对增加负载能力而又没有额外空间，或者设计成适合于受限安装空间的链条。有些版本最初源于自行车或摩托车链条。它们的规格随其应用不同而变化。

特色

- 工程标准链条供货时经过了初始润滑
- 所有链条均经过破断强度30~50%力的预拉伸
- 长度公差：标准长度的0.15%
- 破断强度更高
- 无缝、冷挤压、喷丸滚子且壁厚极规则

ELITE侧弯链

侧弯链通常在需要弯曲轨道的应用中用作输送链或拖链。链条围绕不同半径的各种曲线运行。销轴直径减小使得这些链条可以弯曲，但是也可以使用锥形销轴或双锥形套筒。

特色

- 按照ISO 606标准生产
- 兼容标准链轮
- 可提供特殊润滑、特殊涂层或根据要求提供不锈钢版本
- 由于这些链条的常规应用允许使用低粘度的油进行初始润滑，因此表面仅残留少量油膜。
- ELITE侧弯链可用作我们FLEXON平顶链系列的基链。

i 请参考我们的平顶链条目录以获取更多信息。

ELITE roller chains are manufactured according to the high quality standards of ISO 9001. iwis guarantees the consistently high quality of its ELITE product range by combining cutting-edge quality assurance methods with its own inspection and testing facilities. Our special chains are already in use as a solution for specific problems in a wide variety of applications:

ELITE roller chains according to works standard

These chains were the result of various specific customer requests, such as a demand for increased load capacity without additional space or chains designed to fit in a restricted installation space. Some versions were originally derived from bicycle or motorcycle chains. Their specifications are as diverse as their applications.

Highlights

- Works standard chains are supplied with initial lubrication
- All chains are pre-stretched with 30 – 50% of breaking strength
- Length tolerances: 0.15% of nominal length
- Higher breaking strengths
- Seamless, cold-extruded, shot-blasted rollers with extremely regular wall thickness

ELITE side bow chains

Side bow chains are generally used as conveyor or drag chains in applications which require a curved track. The chains run around a variety of curves with different radii. A reduced pin diameter enables these chains to negotiate bends, but conical pins or biconical bushes are also possible.

Highlights

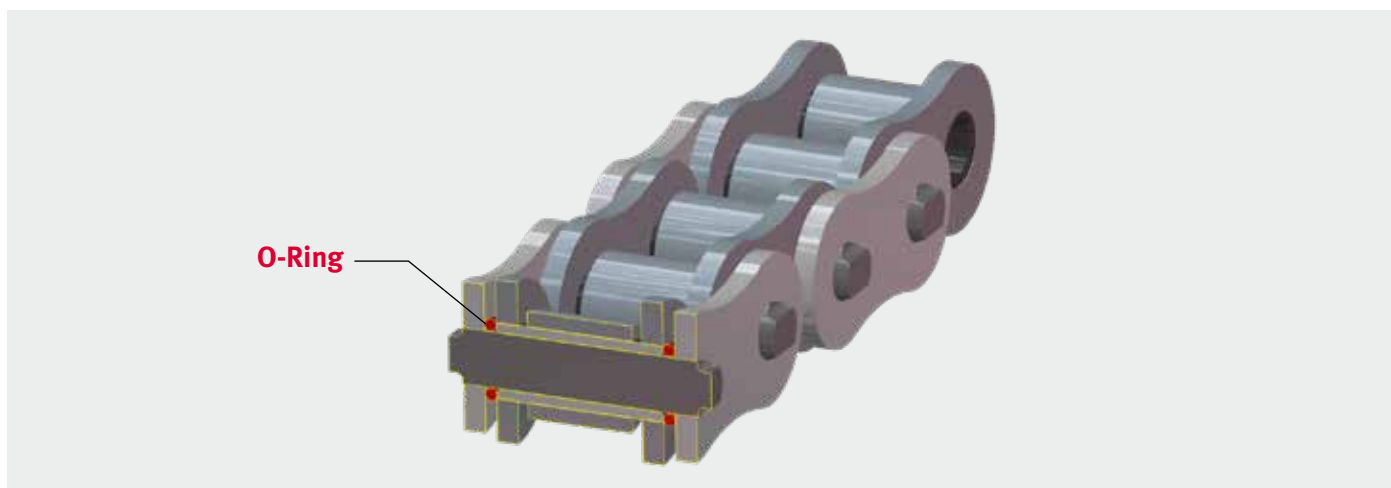
- Production on the basis of ISO 606
- Compatible with standard sprockets
- Available with special lubrication, special coatings, or in stainless steel versions on request
- As the usual applications for these chains allow initial lubrication with low-viscosity oil, only a light film of oil remains on the surface.
- ELITE side bow chains can be used as basic chains for our FLEXON flat top chain range. **i** Please refer to our flat top chain catalogue for more information.

O型圈滚子链

O形圈链最初是作为摩托车的传动链开发的，但该技术也用于标准工业链条中。使用真空工艺将初始润滑剂涂到链条轴承上，然后用O形圈密封。这种润滑与密封相结合，意味着这些链条在整个生命周期中都不需要进一步润滑，因此可以归类为“低维护”链条。

O-ring roller chains

O-ring chains were originally developed as drive chains for motorcycles, but the technology is also used in standard industrial chains. A vacuum process is used to apply initial lubricant to the chain bearings, which are then sealed with an O-ring. This type of lubrication in combination with a seal means that these chains require no further lubrication throughout their entire service life, so they can be categorised as “low-maintenance”.



特色

- 可使用标准链轮
- 极耐冲击
- 终身润滑
- 还可按需提供附件。欢迎垂询。

Highlights

- Standard sprockets can be used
- Extremely shock-resistant version
- Life-long lubrication
- Also available with attachments on request. Enquiries welcome.

行业和应用

- 农业机械
- 通用工程和系统建设
- 批量货物制造
- 工程机械行业
- 建筑技术
- 其他

Industries and applications

- Agricultural machinery
- General engineering and systems construction
- Bulk goods manufacture
- Construction machinery industry
- Building technology
- ... and much more besides



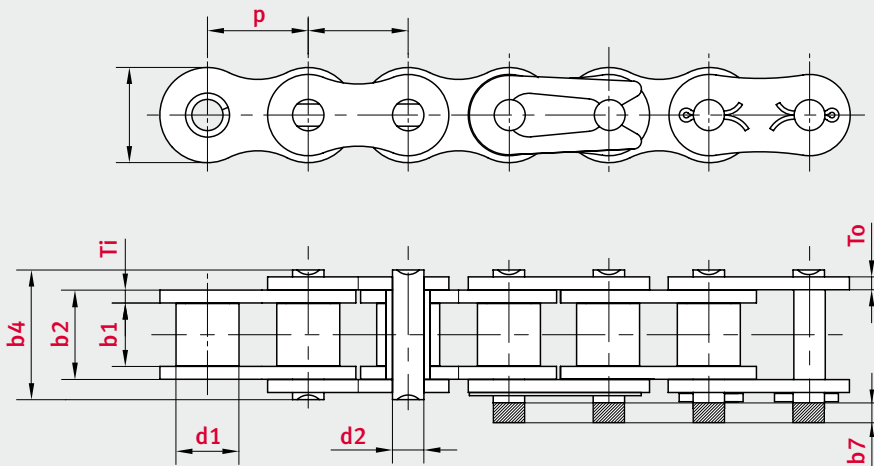


符合ELITE标准的滚子链

Roller chains according to works/ELITE standard

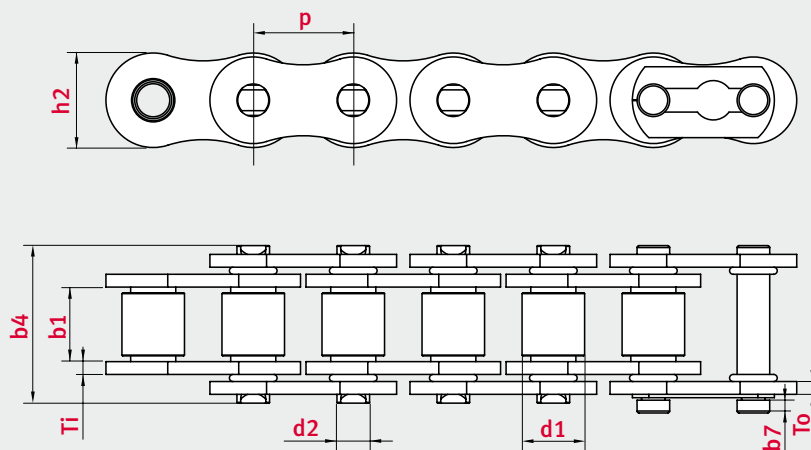
1

链条型号 Chain type	节距 Pitch	内节内宽 Width between inner plates	滚子直径 Roller Ø	销轴直径 Pin Ø	销轴长度 Pin length	接头销轴增加的最大长度 Max. add. length of connecting link	内节外宽 Total width inner link	链片厚度 Plate thickness	内链板高度 Height inner plate	最小抗拉强度 Min. tensile strength	每米重量 Weight per meter	承压面积 Bearing area
	p mm	最小值 b1 mm	最大值 d1 mm	最大值 d2 mm	最大值 b4 mm	最大值 b7 mm	最大值 b2 mm	Ti/To mm	最大值 h2 mm	FU kN	q kg/m	f cm ²
081-1	12,7	3,3	7,75	3,66	10,2	1,5	5,8	1	9,9	8	0,38	0,2
083-1	12,7	4,88	7,75	4,09	12,9	1,5	7,9	1,3	10,3	11,6	0,45	0,32
084-1	12,7	4,88	7,75	4,09	14,8	1,5	8,8	1,8	11,15	15,6	0,51	0,36
085-1	12,7	6,25	7,77	3,6	14	2	9,05	1,3	9,91	6,7	0,41	0,33
415	12,7	4,88	7,75	3,66	11,1	1,5	7,1	1	9,91	8,2	0,32	0,26
415H	12,7	4,76	7,75	3,96	13,1	1,8	7,95	1,5	11,9	15,6	0,55	0,31
423	12,7	6,4	8,51	4,45	15,4	1,7	9,8	1,6	11,8	18	0,71	0,44
420	12,7	6,45	7,75	3,96	14,8	2	9,9	1,6/1,4	11,5	17,15	0,62	0,39
428H	12,7	7,75	8,51	4,45	18,5	1,8	12	2	11,8	23	0,79	0,53
5R	12,7	5	7,75	3,96	11,8	1,5	7,8	1,3/1,0	10,1	11,6	0,46	0,31
520	15,875	6,45	10,16	5,08	16,4	2,2	10,1	1,7	14,7	23,6	0,8	0,51
12BV	19,05	11,68	12,07	6,1	24,5	2,4	16,77	2,4	16	40	1,45	1,02
229	19,05	13,3	12,07	6,1	28,8	3	19,54	3	17	35	1,61	1,12
517	19,05	11,68	12,07	6,1	24,5	2,4	16,77	2,4	18,1	44	1,55	1,02
305	25,4	13,05	15,88	8,26	30,9	2,3	20,55	3,6/3,0	20,5	50	2,37	1,7
16BH	25,4	17,02	15,88	9	36	3,2	25,45	4,1/3,1	24	80	3,11	2,29
20BH	31,75	19,56	19,05	10,19	45	4,2	31,2	5,6/4,5	26,2	113	4	3,18
C20BH	31,75	19,56	19,05	10,19	46,6	4,2	31,4	5,6/5,0	26,42	150	4,55	3,2
24BH	38,1	25,4	25,4	14,63	58,6	5,2	40,8	7,1/6,0	37	230	9	5,97



ELITE® O型圈滚子链
O-ring roller chains

链条型号	节距	内节内宽	滚子直径	销轴直径	销轴长度	接头销轴增加的最大长度	链片厚度	内链板高度	最小抗拉强度	每米重量	承压面积
Chain type	Pitch	Width between inner plates	Roller Ø	Pin Ø	Pin length	Max. add. length of connecting link	Plate thickness	Height inner plate	Min. tensile strength	Weight per meter	Bearing area
	p mm	最小值 b1 mm	最大值 d1 mm	最大值 d2 mm	最大值 b4 mm	最大值 b7 mm	Ti/To mm	最大值 h2 mm	FU kN	q kg/m	f cm²
BS - 单排											
08B-1 OR	12,7	7,75	8,51	4,45	19,5	3,9	1,6	11,8	17,8	0,72	0,54
10B-1 OR	15,875	9,65	10,16	5,08	22	4,1	1,7	14,7	22,2	0,98	0,71
16B-1 OR	25,4	17,02	15,88	8,28	37,6	5,4	4,15 / 3,10	21,08	60	2,84	2,25
ANSI - 单排											
40-1 OR	12,7	7,85	7,92	3,98	19,3	3,9	1,50/1,50	12,07	13,9	0,65	0,47
50-1 OR	15,875	9,4	10,16	5,09	23,5	4,1	2,00/2,00	15,09	21,8	1,07	0,75
60-1 OR	19,05	12,57	11,91	5,96	28,7	4,6	2,40/2,40	18,1	31,3	1,58	1,12
80-1 OR	25,4	15,75	15,88	7,94	36	5,4	3,10/3,10	24,13	55,6	2,73	1,9





侧弯链

Side bow chains

1

链条型号	节距	内节内宽	滚子直径	销轴直径	销轴长度	接头销轴增加的最大长度	内节外宽	链片厚度	内链板高度	侧弯半径	最小抗拉强度	每米重量	承压面积
Chain type	Pitch	Width between inner plates	Roller Ø	Pin Ø	Pin length	Max. add. length of connecting link	Total width inner link	Plate thickness	Height inner plate	Side bow radius	Min. tensile strength	Weight per meter	Bearing area
	p mm	最小值 b1 mm	最大值 d1 mm	最大值 d2 mm	最大值 b4 mm	最大值 b7 mm	最大值 b2 mm	Ti/To mm	最大值 h2 mm	R min. mm	FU kN	q kg/m	f cm ²

BS - 单排

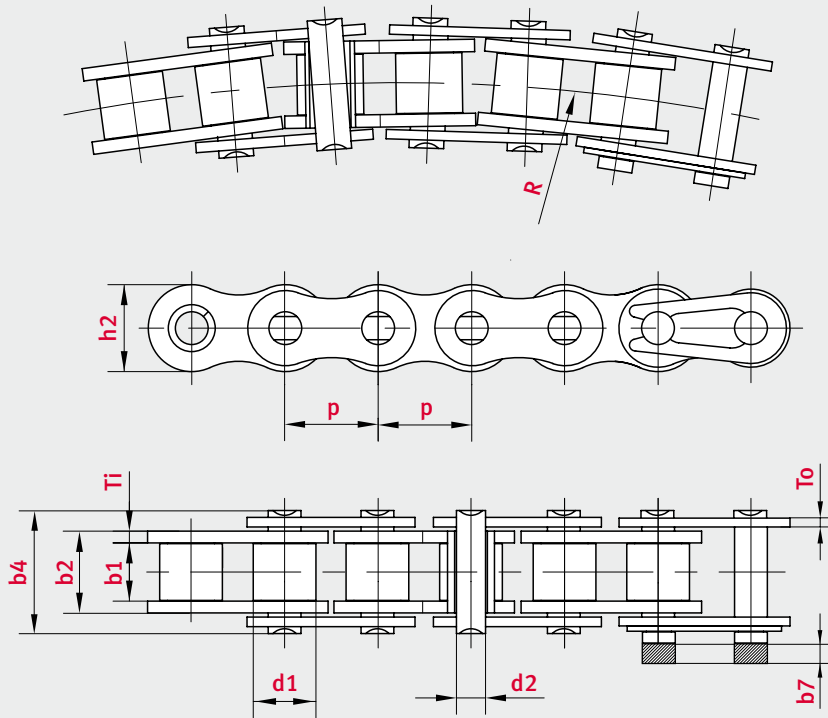
08B SB	12,7	7,75	8,51	3,96	16,4	2,2	11,3	1,6	11,8	400	14	0,7	0,96
10B SB	15,875	9,65	10,16	4,5	20,1	1,9	13,28	1,7	14,7	400	15,6	0,93	1,35
12B SB	19,05	11,68	12,07	5,08	23,1	2,2	15,62	1,9	16	500	20,5	1,16	1,89

ANSI - 单排

40-1 SB	12,7	7,85	7,92	3,45	16,9	2,6	11,18	1,5	12	350	12	0,8	0,89
43-1 SB*	12,7	7,85	7,92	3,45	18,3	2,6	11,18	1,5	12	305	12	0,83	0,89
50-1 SB	15,875	9,4	10,16	4,37	21,2	3,5	13,84	2,03	15	400	18	1,09	1,41
60-1 SB	19,05	12,57	11,91	5,08	25,6	2,1	17,75	2,4	18,1	500	24	1,54	2,11
63-1 SB*	19,05	12,57	11,91	5,08	28,8	2,1	17,75	2,4	18,1	350	24	1,55	2,11
80-1 SB	25,4	15,75	15,88	7,14	32,9	3,5	22,6	3,1	24,13	650	38,2	2,6	3,59

* 配备直内链板

* Version with straight inner plates



双节距滚子链
Double pitch roller chains





双节距滚子链 - 强大的性能

Double pitch roller chains – powerful performance

双节距链条以根据ISO 606制造的单节距链条为基准；除节距外，链条尺寸均符合对应单节距产品相同的标准参数要求。与根据ISO 606标准制造的单节距链条不同，双节距链条设计用于速度和功率传输要求较低的应用环境。

主要不同点在于：双节距滚子链链板如其名称所示，为标准滚子链安装的链板长度的两倍。

除上述方面外，按照美国标准制造的链条产品系列包括采用**正常厚度链板**的产品或**更厚链板**的产品，还包括一些使用较小或较大滚子的变更型号。**双节距空心销轴滚子链**通常仅带有直链板，或以套筒链或滚子链供应。所述产品一大优势在于：节距更长，可以安装输送滚子，在很多应用项目中可显著减少摩擦以及链条内部的张力。

ELITE 特色

- 产品系列包含多种型号
- 尺寸符合ISO 1275要求
- 可提供采用小滚子和输送滚子的链条版本
- 所有ELITE链条链板 ① 生产制造工艺均可选精冲和挤孔工艺，由此保证非常高的接触率。
- 实心表面硬化滚子 ②，耐磨性能良好
- ELITE销轴 ③ 光滑平整，表面更坚硬，以提升耐磨特性

Double pitch chains are based on the single pitch chains constructed according to ISO 606; except for the pitch, they meet the same standard specifications with respect to their dimensions. As opposed to short pitch chains constructed to standard ISO 606, these chains are intended for use in conditions in which demands on speed and power transmission are lower.

The principle difference being that the plates of double pitch roller chains – as the name implies – are twice the length of the plates fitted to standard roller chains.

In addition to the above, chains from the range constructed to the American Standard include versions with **normal plate thickness** or **thicker plates**, as well as variants with smaller or larger rollers. **double pitch hollow pin roller chains** are normally only available in a version with straight plates as a bush or roller chain. One of the main advantages here is that the longer pitch allows transport rollers to be fitted, which in many applications significantly reduces friction and tensile forces within the chain.

ELITE highlights

- Wide range of products
- Dimensions according to ISO 1275
- Versions with small rollers and transport rollers available
- All ELITE chain plates ① are manufactured using processes such as fine blanking and ball-drifting, so a particularly high contact ratio is guaranteed.
- Solid, case hardened rollers ② with good wear resistance
- ELITE pins ③ are smooth and have an extra hard surface for increased wear resistance

行业和应用

- 输送技术
- 通用工程和工厂施工
- 农业机械
- 食品行业
- 分拣设备
- 其他

产品范围

- 双节距滚子链 ISO 1275
- 直链板双节距滚子链 ISO 1275
- 双节距空心销轴套筒链
- 双节距空心销轴滚子链

ELITE 产品其他优点

- 应客户要求，可提供防腐蚀链条版本
- 应客户要求，可提供链轮

ELITE 链条类型标示

双节距滚子链类型标示规则解释如下：

- 数字2表示双倍节距或双节距加对应标准标示信息
- 若为ANSI双节距滚子链，标准标示信息包含三个数字。如：ANSI 40链条 (=2040)，其中数字编码2代表双，040标示链条类型。强化型链条版本采用检索编码H标示。
- 符合DIN ISO 1275要求且带有直链板的双节距滚子链像带有八字型链板的链条一样制造。所述链条使用前缀C（代表“输送”）进行标示。该型号系列还包括带有输送滚子供应的链条。所述链条使用数字2（而不是0）作为尺寸标示的最后一位数字进行标示。

Industries and applications

- Conveyor technology
- General engineering and plant construction
- Agricultural machinery
- Food industry
- Sorting plants
- ... and much more besides

Product range

- Double pitch roller chains ISO 1275
- Double pitch roller chains with straight plates ISO 1275
- Double pitch hollow pin bushed chains
- Double pitch hollow pin roller chains

Additional ELITE benefits

- Corrosion-resistant versions supplied on request
- Sprockets available on request

ELITE chain type designation

The key to chain type designations for double pitch roller chains is as follows:

- The digit 2 denotes doubling or double pitch plus designation of the corresponding standard
- In the case of ANSI double pitch roller chains, the standard designations consist of three figures. Example: ANSI 40 chain (=2040) with code digit 2 for double and 040 for the chain type. Strengthened chain versions are distinguishable by the index code H.
- Double pitch roller chains according to ISO 1275 with straight plates are constructed like chains with curved plates. These chains are identified by the prefix C (for conveyor). This model series also includes chains supplied with transport rollers. These chains are distinguished by a 2 (instead of a 0) as the last digit of the size designation.





符合ISO 1275的双节距滚子链

Double pitch roller chains according to ISO 1275

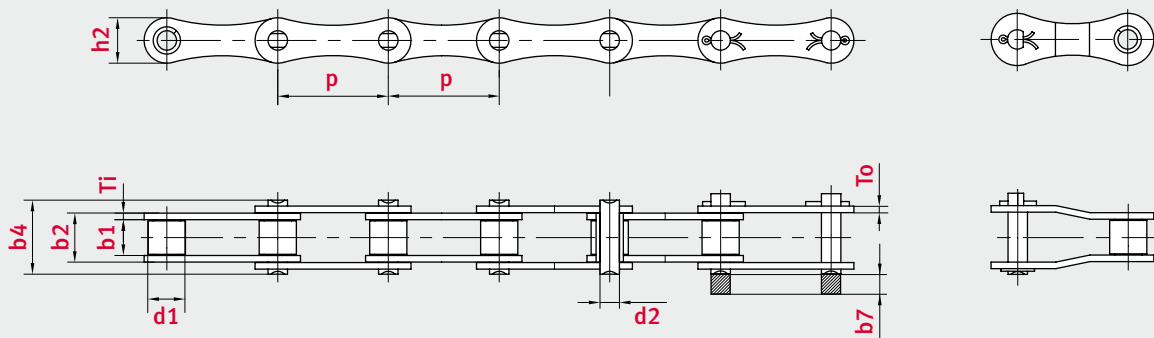
链条型号 Chain type	节距 Pitch	内节内宽 Width between inner plates	滚子直径 Roller Ø	销轴直径 Pin Ø	销轴长度 Pin length	接头销轴增加的最大长度 Max. add. length of connecting link	内节外宽 Total width inner link	链片厚度 Plate thickness	内链板高度 Height inner plate	最小抗拉强度 Min. tensile strength	每米重量 Weight per meter	承压面积 Bearing area
	p mm	最小值 b_1 mm	最大值 d_1 mm	最大值 d_2 mm	最大值 b_4 mm	最大值 b_7 mm	最大值 b_2 mm	T_i/T_o mm	最大值 h_2 mm	FU kN	q kg/m	f cm ²

BS

208 B	25,4	7,75	8,51	4,45	17	3,9	11,3	1,60/1,60	11,81	17,8	0,45	0,5
210 B	31,75	9,65	10,16	5,08	19,6	4,1	13,28	1,70/1,70	14,73	22,2	0,65	0,67
212 B	38,1	11,68	12,07	5,72	22,7	4,6	15,62	1,85/1,85	16,13	28,9	0,76	0,89
216 B	50,8	17,02	15,88	8,28	36,1	5,4	25,45	4,15/3,10	21,08	60	1,75	2,11
220 B	63,5	19,56	19,05	10,19	40,8	3,9	29,01	4,50/3,50	26,42	95	2,62	2,96
224 B	76,2	25,4	25,4	14,63	53,4	6,6	37,92	6,00/4,80	33,4	160	4,7	5,55

ANSI

A2040	25,4	7,85	7,95	3,96	17,8	3,9	11,15	1,5	12	14,1	0,42	0,44
A2050	31,75	9,4	10,16	5,08	21,8	4,1	13,8	2,03	15	22,2	0,7	0,7
A2060	38,1	12,57	11,91	5,94	26,9	4,6	17,85	2,42	18	31,8	1	1,06
A2080	50,8	15,75	15,88	7,94	33,5	5,4	22,6	3,1	24,13	55,6	2,08	1,78

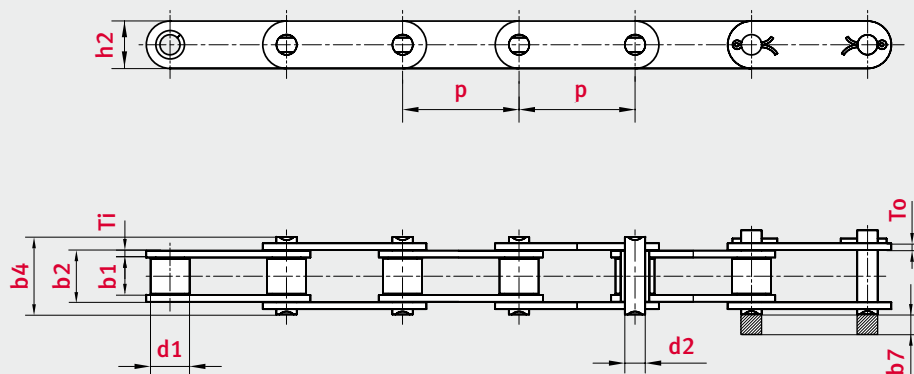




符合ISO 1275的双节距滚子链——直链板

Double pitch roller chains according to ISO 1275 – Straight side plates

链条型号 Chain type	节距 Pitch	内节内宽 Width between inner plates	滚子直径 Roller Ø	销轴直径 Pin Ø	销轴长度 Pin length	接头销轴增加的最大长度 Max. add. length of connecting link	内节外宽 Total width inner link	链片厚度 Plate thickness	内链板高度 Height inner plate	最小抗拉强度 Min. tensile strength	每米重量 Weight per meter	承压面积 Bearing area
	p mm	最小值 b1 mm	最大值 d1 mm	最大值 d2 mm	最大值 b4 mm	最大值 b7 mm	最大值 b2 mm	Ti/To mm	最大值 h2 mm	FU kN	q kg/m	f cm ²
标准												
C2040	25,4	7,85	7,95	3,96	17,8	3,9	11,15	1,5	12	14,1	0,42	0,44
C2050	31,75	9,4	10,16	5,08	21,8	4,1	13,8	2,03	15	22,2	0,7	0,7
C2060	38,1	12,57	11,91	5,94	26,9	4,6	17,85	2,42	18	31,8	1,3	1,06
C2080	50,8	15,75	15,88	7,92	33,5	5,4	22,5	3,25	24,1	56,7	1,7	1,78
重型												
C2060H	38,1	12,57	11,91	5,94	29,2	4,6	19,43	3,25	18	31,8	1,44	1,15
C2080H	50,8	15,75	15,88	7,92	36,2	5,4	24,28	4	24,1	56,7	2,54	1,92
C2100H	63,5	18,9	19,05	9,53	43,6	5,6	29,11	4,8	30	88,5	3,56	2,77
C2120H	76,2	25,22	22,23	11,1	53,5	5,6	37,18	5,6	35,7	127	5,26	4,13

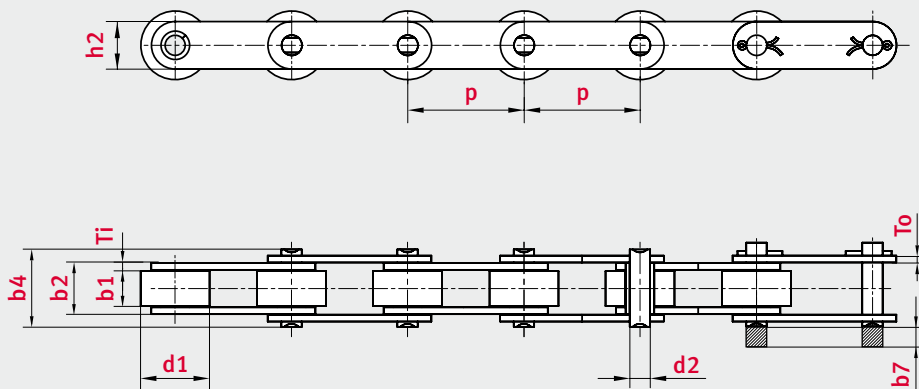




符合ISO 1275的双节距滚子链——直链板

Double pitch roller chains according to ISO 1275 – Straight side plates

链条型号 Chain type	节距 Pitch	内节内宽 Width between inner plates	滚子直径 Roller Ø	销轴直径 Pin Ø	销轴长度 Pin length	接头销轴增加的最大长度 Max. add. length of connecting link	内节外宽 Total width inner link	链片厚度 Plate thickness	内链板高度 Height inner plate	最小抗拉强度 Min. tensile strength	每米重量 Weight per meter	承压面积 Bearing area
	p mm	最小值 b1 mm	最大值 d1 mm	最大值 d2 mm	最大值 b4 mm	最大值 b7 mm	最大值 b2 mm	Ti/To mm	最大值 h2 mm	FU kN	q kg/m	f cm ²
标准												
C2042	25,4	7,85	15,88	3,96	17,8	3,9	11,15	1,5	12	14,1	0,85	0,44
C2052	31,75	9,4	19,05	5,08	20,7	1,5	13,84	2	15	22,2	1,30	0,69
C2062	38,1	12,57	22,23	5,94	26,9	4,6	17,85	2,42	18	31,8	1,95	1,06
C2082	50,8	15,75	28,58	7,92	33,5	5,4	22,5	3,25	24,1	56,7	3,20	1,78
重型												
C2062H	38,1	12,57	22,23	5,94	29,2	4,6	19,43	3,25	18	31,8	2,30	1,15
C2082H	50,8	15,75	28,58	7,92	36,2	5,4	24,28	4	24,1	56,7	3,60	1,92
C2102H	63,5	18,9	39,67	9,53	43,6	5,6	29,11	4,8	30	88,5	5,90	2,77
C2122H	76,2	25,22	44,45	11,1	53,5	5,6	37,18	5,6	35,7	127	8,20	4,13





防腐蚀链条
Corrosion resistant chains





防腐蚀链条

Corrosion resistant chains

ELITE 滚子链可提供**镀锌**和**镀镍**版本，或者**不锈钢**版本。因为所有版本均属于我公司标准产品系列。若客户要求，还可供使用其它涂层的防腐链。比如，伊维氏可以满足特定客户要求，将不同涂层结合使用，在保证高度耐磨的同时，为链条附板提供卓越的防腐蚀保护。应客户要求，也可以提供H1适用的食品级润滑或者高温润滑油的链条。

ELITE roller chains are available in **nickel** and **zinc-plated** versions or made of **stainless** steel. Since all versions belong to our standard range, they are available from stock. Corrosion-resistant chains with other coatings can also be supplied on request. For instance, iwis can meet specific customer demands by combining different coatings, which guarantees high wear resistance coupled with excellent corrosion protection for attachments. On request, the chains can also be supplied with H1-compliant food-grade lubricant or high-temperature lubricant.

行业和应用

- 食品和饮料工业
- 包装行业
- 清洁和洗涤技术
- 太阳能和能源技术
- 其他

Industries and applications

- Food and beverage industry
- Packaging industry
- Cleaning and washing technology
- Solar power and energy technology
- ... and much more besides

ELITE 不锈钢链条 (CF)

不锈钢链条主要用于食品和饮料行业或者用于要求定期对链条进行清洁的应用环境。ELITE 链条采用的材料可以用于酸性或碱性环境。但要始终保证所使用的清洁剂所含化学成分与1.4301号不锈钢材料兼容。不锈钢链条的允许拉伸载荷约为可比标准ELITE链条的许可载荷的三分之一。

ELITE stainless steel chains (CF)

Stainless steel chains are used mainly in the food and beverage industry or for applications in which chains require regular cleaning. The materials used in ELITE chains enable them to be used in acidic or alkaline environments. Always ensure that the chemicals in cleaning agents used are compatible with stainless steel material number 1.4301. The permitted tensile load for stainless steel chains is approximately one-third of the permitted load for comparable standard ELITE chains.

产品特点

- 所有ELITE不锈钢链条尺寸均符合ISO 606要求，且所述链条可与标准链条互换使用。
- 所有链条部件均采用1.4301/AISI 304材料。
- 所有ELITE不锈钢链条均按照破断强度30%预拉伸。
- 所有链条链板 **1** 均为锥形。
- 链条均带无缝滚子 **2**。
- ELITE不锈钢链条采用冷拉硬化销轴 **3** 和套筒，所以比市场上的其他标准链具备更好的耐磨性。
- 不锈钢链条在高温情况下性能减退仍然慢于标准链条。
- 不锈钢链条供应时根据具体尺寸进行轻度上油处理或保持干燥状态。

Product highlights

- The dimensions of all ELITE stainless steel chains comply with the requirements of ISO 606 and the chains are interchangeable with standard chains.
- Material for all chain components is 1.4301 / AISI 304
- All ELITE stainless steel chains are prestretched to 30 % of breaking load.
- All chain plates **1** are tapered
- Chains are fitted with seamless rollers **2**
- ELITE stainless steel chains feature cold-hardened pins **3** and bushes, so they offer better wear resistance than other standard chains on the market.
- Stainless steel chains do not lose performance as quickly as standard chains at high ambient temperatures.
- Depending on their size, stainless steel chains are supplied lightly oiled or dry.

镀锌 ELITE 链条 (ZP)

镀锌链主要用于户外应用项目，以抵抗恶劣天气条件影响。锌可以在两个方面保护链条防止生锈。首先，锌可以在链条部件周围形成完整的保护层，防止水、盐类和氧气直接接触钢质链节板；其次，锌在链条受到损坏威胁时作为“牺牲阳极”发挥作用，防止重要的负荷承载部件受到腐蚀。

锌片涂层滚子链 (ZAP) 新

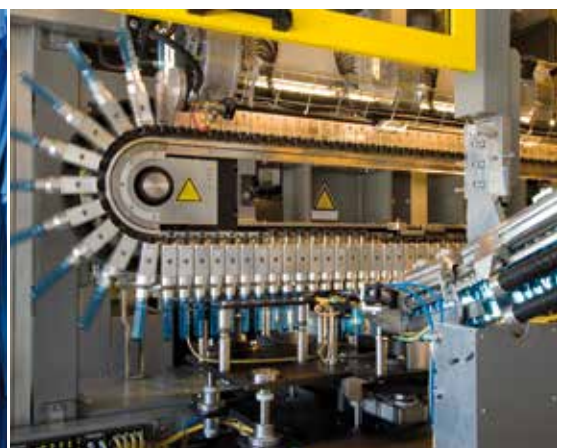
新型锌铝涂层链条“ZAP涂层链条”具有所有涂层链条中最佳防腐性能。这些涂层的典型层状结构提供了所谓的“屏障效应”和高阴极防腐保护能力，而无氢脆化的风险。涂层还对链条轴承的摩擦产生积极影响。新的ZAP涂层将取代以前的久美特和达克罗涂层链条。

镀镍 ELITE 链条 (NP)

镀镍链条主要用于食品和包装行业；镍的特性使其成为多种应用的特别合适的涂层金属。它不仅不透水和空气，而且不透各种酸和碱。

产品特点

- 所有ELITE镀镍链条尺寸均符合ISO 606要求，且所述链条可与标准链条互换使用。
- 所有ELITE镀镍链条均按照破断力30%预拉伸。
- 所有链条链板 **1** 均为锥形。
- 链条安装有无缝滚子 **2**，可提供镀锌或镀镍涂层。
- 销轴 **3** 具有较高的防腐和耐磨性能。
- 镀锌或镀镍ELITE链条的负载能力与同类标准链条相似。
- 两种类型的链条供货时通常都涂轻油。t



Zinc-plated ELITE chains (ZP)

Zinc-plated chains are used primarily in outdoor applications where there is no protection against adverse weather conditions. Zinc protects the chain against rusting in two different ways. Firstly, the zinc forms an unbroken layer around chain components to prevent water, salt and oxygen from coming into direct contact with the steel link plate; secondly, zinc acts as a “sacrificial anode” in the event of damage to the chain and protects important load-bearing components against corrosion.

Zinc-flake coated roller chains (ZAP) NEW

The new zinc-aluminium coated chains “ZAP coated chains” have the best corrosion protection of all coated chains. The typical lamellar structure of these coatings provide a so-called “barrier effect” and high cathodic corrosion protection without the risk of hydrogen embrittlement. The coating also has a positive effect on friction in the chain bearing. The new ZAP coating will replace the previous Geomet and Dacromet chains.

Nickel-plated ELITE chains (NP)

Nickel-plated chains are used mainly in the food and packaging industry; the characteristic properties of nickel make it a particularly suitable coating metal for numerous applications. It is impervious not only to water and air, but also to a variety of acids and alkalis.

Product highlights

- The dimensions of all zinc-plated and nickel-plated ELITE-chains comply with the requirements of ISO 606 and the chains are interchangeable with standard chains.
- Zinc-plated and nickel-plated chains are prestretched to 30 % of breaking load.
- All chain plates **1** are tapered and zinc or nickel plated.
- Chains are fitted with seamless rollers **2**; zinc or nickel plating available.
- Pins **3** offer a high level of corrosion protection and wear resistance.
- The load capacity of zinc- or nickel-plated ELITE chains is similar to that of comparable standard chains.
- Both chain types are generally supplied lightly oiled.



不锈钢滚子链 - 尺寸符合ISO 606标准

Stainless steel roller chains – Dimensions according to ISO 606

链条型号	节距	内节内宽	滚子直径	销轴直径	销轴长度	接头销轴增加的最大长度	内节外宽	链片厚度	内链板高度	排距	最小抗拉强度	每米重量	承压面积
Chain type	Pitch	Width between inner plates	Roller Ø	Pin Ø	Pin length	Max. add. length of connecting link	Total width inner link	Plate thickness	Height inner plate	Transverse pitch	Min. tensile strength	Weight per meter	Bearing area
	p mm	最小值 b1 mm	最大值 d1 mm	最大值 d2 mm	最大值 b4 mm	最大值 b7 mm	最大值 b2 mm	Ti/To mm	最大值 h2 mm	pt mm	FU kN	q kg/m	f cm ²

BS - 单排

04B-1 CF	6	2,8	4	1,85	7,4	2,5	4,15	0,60/0,60	5	-	2	0,12	0,08
05B-1 CF	8	3	5	2,31	8,6	3,1	4,77	0,80/0,80	7,11	-	3,5	0,2	0,11
06B-1 CF ¹	9,525	5,72	6,35	3,28	13,5	3,3	8,53	1,20/1,20	8,26	-	6,2	0,41	0,28
08B-1 CF	12,7	7,75	8,51	4,45	17	3,9	11,3	1,60/1,60	11,81	-	12	0,69	0,5
10B-1 CF	15,875	9,65	10,16	5,08	19,6	4,1	13,28	1,60/1,60	14,73	-	14,7	0,93	0,67
12B-1 CF	19,05	11,68	12,07	5,72	22,7	4,6	15,62	1,80/1,80	16,13	-	17,3	1,15	0,89
16B-1 CF	25,4	17,02	15,88	8,28	36,1	5,4	25,45	4,00/3,50	21,08	-	36	2,71	2,1
20B-1 CF	31,75	19,56	19,05	10,19	43,2	6,1	29,01	4,00/4,00	26,42	-	59	3,7	2,96
24B-1 CF	38,1	25,4	25,4	14,63	53,4	6,6	37,92	6,00/4,80	33,4	-	104	7,1	5,54
28B-1 CF	44,45	30,99	27,94	15,9	65,1	7,4	46,58	7,50/6,00	37,08	-	134	8,5	7,4

BS - 双排

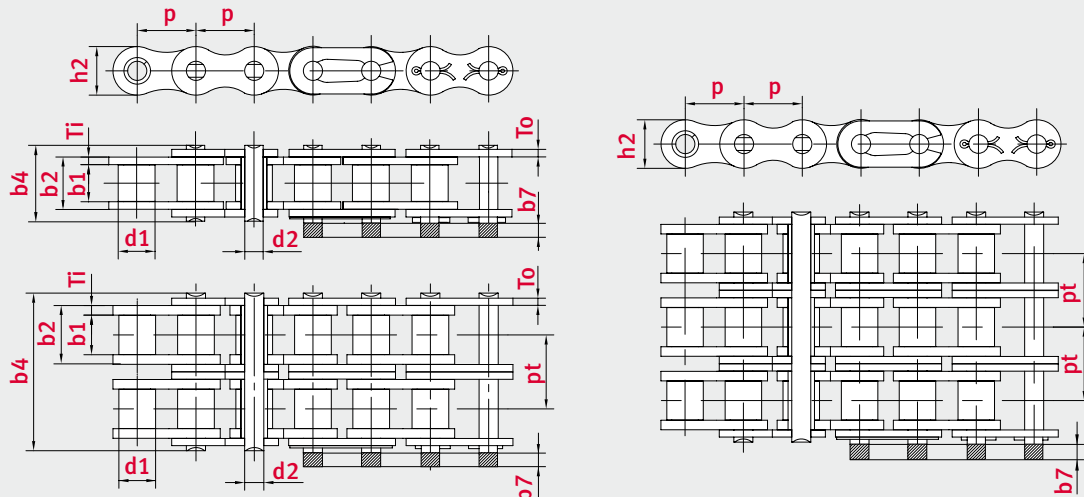
06B-2 CF ¹	9,525	5,72	6,35	3,28	23,8	3,3	8,53	1,20/1,20	8,26	10,24	11,2	0,77	0,56
08B-2 CF	12,7	7,75	8,51	4,45	31	3,9	11,3	1,60/1,60	11,81	13,92	21	1,34	1,01
10B-2 CF	15,875	9,65	10,16	5,08	36,2	4,1	13,28	1,60/1,60	14,73	16,59	26,7	1,84	1,34
12B-2 CF	19,05	11,68	12,07	5,72	42,2	4,6	15,62	1,80/1,80	16,13	19,46	34,7	2,31	1,79
16B-2 CF	25,4	17,02	15,88	8,28	68	5,4	25,45	4,00/3,10	21,08	31,88	63,6	5,42	4,21
20B-2 CF	31,75	19,56	19,05	10,19	79,7	6,1	29,01	4,00/4,00	26,42	36,45	85	7,2	5,91
24B-2 CF	38,1	25,4	25,4	14,63	101,8	6,6	37,92	6,00/4,80	33,4	48,36	140	13,4	11,09

BS - 三排

06B-3 CF ¹	9,525	5,72	6,35	3,28	34	3,3	8,53	1,20/1,20	8,26	10,24	16,7	1,16	0,84
08B-3 CF	12,7	7,75	8,51	4,45	44,9	3,9	11,3	1,60/1,60	11,81	13,92	31,5	2,03	1,51
10B-3 CF	15,875	9,65	10,16	5,08	52,8	4,1	13,28	1,60/1,60	14,73	16,59	42,8	2,77	2,02
12B-3 CF	19,05	11,68	12,07	5,72	61,7	4,6	15,62	1,80/1,80	16,13	19,46	49	3,46	2,68

¹ 直链板

¹ Straight side plates





不锈钢滚子链 - 尺寸符合ISO 606标准

Stainless steel roller chains – Dimensions according to ISO 606

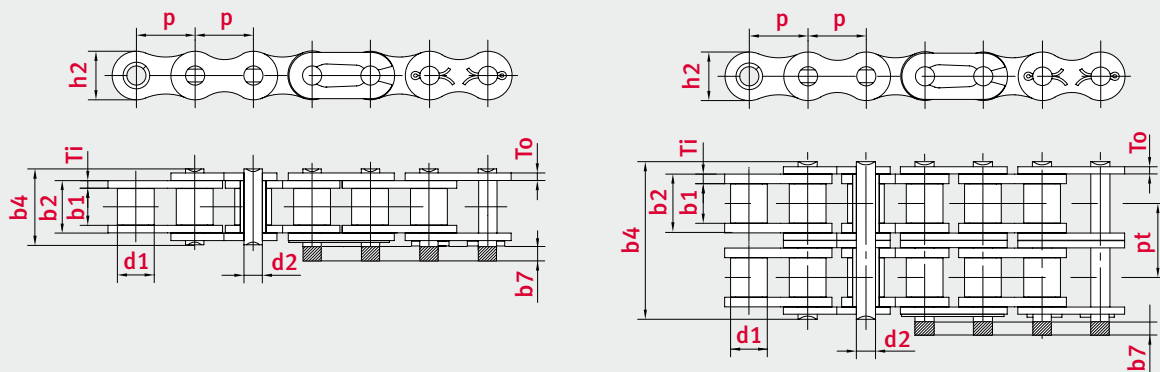
链条型号 Chain type	节距 Pitch	内节内宽 Width between inner plates	滚子直径 Roller Ø	销轴直径 Pin Ø	销轴长度 Pin length	接头销轴增加的最大长度 Max. add. length of connecting link	内节外宽 Total width inner link	链片厚度 Plate thickness	内链板高度 Height inner plate	排距 Transverse pitch	最小抗拉强度 Min. tensile strength	每米重量 Weight per meter	承压面积 Bearing area
	p mm	最小值 b1 mm	最大值 d1 mm	最大值 d2 mm	最大值 b4 mm	最大值 b7 mm	最大值 b2 mm	Ti/To mm	最大值 h2 mm	pt mm	FU kN	q kg/m	f cm ²

ANSI - 单排

25-1 CF	6,35	3,1	3,3	2,31	9,1	2,5	4,8	0,80/0,80	6,02	-	2,5	0,15	0,11
35-1 CF	9,525	4,68	5,08	3,6	13,2	3,3	7,46	1,30/1,00	9,05	-	5,5	0,33	0,27
40-1 CF	12,7	7,85	7,92	3,98	17,8	3,9	11,17	1,50/1,50	12,07	-	9,6	0,62	0,43
50-1 CF	15,875	9,4	10,16	5,09	21,8	4,1	13,84	2,00/2,00	15,09	-	15,2	1,02	0,69
60-1 CF	19,05	12,57	11,91	5,96	26,9	4,6	17,75	2,40/2,40	18,1	-	21,7	1,5	1,05

ANSI - 双排

40-2 CF	12,7	7,85	7,92	3,98	32,3	3,9	11,17	1,50/1,50	12,07	14,38	18,9	1,12	0,87
50-2 CF	15,875	9,4	10,16	5,09	39,9	4,1	13,84	2,00/2,00	15,09	18,11	29,8	2	1,38
60-2 CF	19,05	12,57	11,91	5,96	49,8	4,6	17,75	2,40/2,40	18,1	22,78	31,8	2,92	2,1





符合ISO 606带直链板的不锈钢滚子链

Stainless steel roller chains with straight side plates according to ISO 606

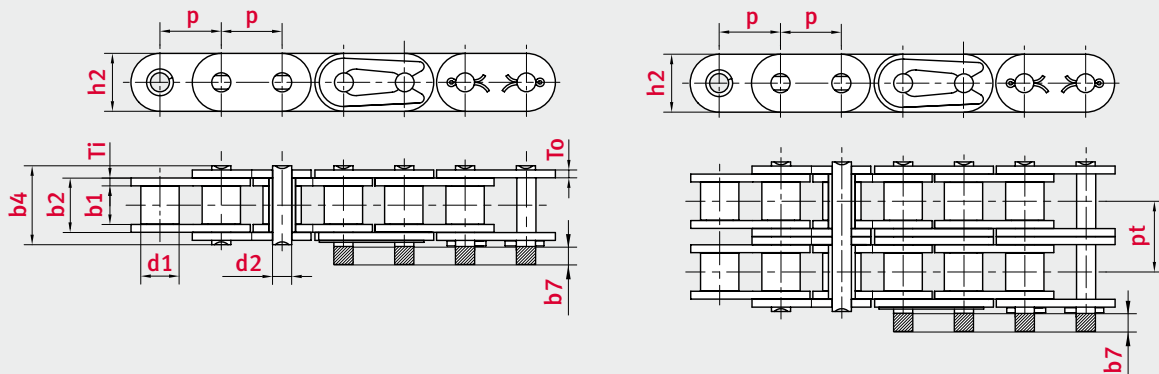
链条型号 Chain type	节距 Pitch	内节内宽 Width between inner plates	滚子直径 Roller Ø	销轴直径 Pin Ø	销轴长度 Pin length	接头销轴增加的最大长度 Max. add. length of connecting link	内节外宽 Total width inner link	链片厚度 Plate thickness	内链板高度 Height inner plate	排距 Transverse pitch	最小抗拉强度 Min. tensile strength	每米重量 Weight per meter	承压面积 Bearing area
	p mm	最小值 b1 mm	最大值 d1 mm	最大值 d2 mm	最大值 b4 mm	最大值 b7 mm	最大值 b2 mm	Ti/To mm	最大值 h2 mm	pt mm	FU kN	q kg/m	f cm ²

BS - 单排

08B-1 CF GL	12,7	7,75	8,51	4,45	17	3,9	11,3	1,60/1,60	11,81	-	12	0,8	0,5
10B-1 CF GL	15,875	9,65	10,16	5,08	19,6	4,1	13,28	1,70/1,70	14,73	-	14,5	1,06	0,67
12B-1 CF GL	19,05	11,68	12,07	5,72	22,7	4,6	15,62	1,85/1,85	16,13	-	18,5	1,32	0,89
16B-1 CF GL	25,4	17,02	15,88	8,28	36,1	5,4	25,45	4,15/3,10	21,08	-	40	3,08	2,1
16B-1 CF GL 24	25,4	17,02	15,88	8,28	36,1	5,4	25,45	4,15/3,10	24,00	-	40	3,08	2,1
20B-1 CF GL	31,75	19,56	19,05	10,19	43,2	6,1	29,01	4,50/3,50	26,42	-	59	4,16	2,96
24B-1 CF GL	38,1	25,4	25,4	14,63	53,4	6,6	37,92	6,00/4,80	33,4	-	104	7,47	5,54
28B-1 CF GL	44,45	30,99	27,94	15,9	65,1	7,4	46,58	7,50/6,00	37,08	-	100	9,9	7,4
32B-1 CF GL	50,8	30,99	29,21	17,81	67,4	7,9	45,57	7,00/6,00	42,29	-	150	10,45	8,11

BS - 双排

08B-2 CF GL	12,7	7,75	8,51	4,45	31	3,9	11,3	1,60/1,60	11,81	13,92	24	1,45	1,01
10B-2 CF GL	15,875	9,65	10,16	5,08	36,2	4,1	13,28	1,70/1,70	14,73	16,59	29	2	1,34
12B-2 CF GL	19,05	11,68	12,07	5,72	42,2	4,6	15,62	1,85/1,85	16,13	19,46	37	2,62	1,79
16B-2 CF GL	25,4	17,02	15,88	8,28	68	5,4	25,45	4,15/3,10	21,08	31,88	80	6,1	4,21
20B-2 CF GL	31,75	19,56	19,05	10,19	79,7	6,1	29,01	4,50/3,50	26,42	36,45	118	8,23	5,91





滚子链 - 镀镍系列 - 符合ISO 606

Roller chains – nickel-plated series – according to ISO 606

链条型号 Chain type	节距 Pitch	内节内宽 Width between inner plates	滚子直径 Roller Ø	销轴直径 Pin Ø	销轴长度 Pin length	接头销轴增加的最大长度 Max. add. length of connecting link	内节外宽 Total width inner link	链片厚度 Plate thickness	内链板高度 Height inner plate	最小抗拉强度 Min. tensile strength	每米重量 Weight per meter	承压面积 Bearing area
	p mm	最小值 b1 mm	最大值 d1 mm	最大值 d2 mm	最大值 b4 mm	最大值 b7 mm	最大值 b2 mm	Ti/To mm	最大值 h2 mm	FU kN	q kg/m	f cm ²

BS - 单排

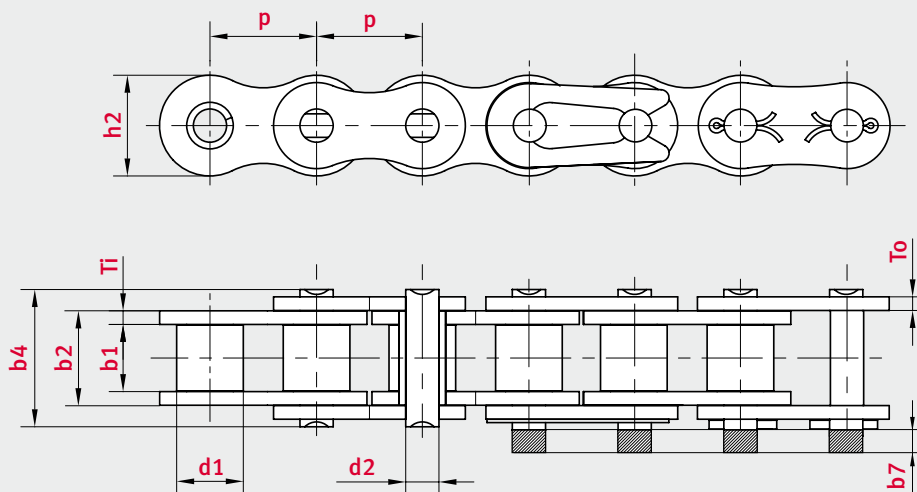
06B-1 NP ¹	9,525	5,72	6,35	3,28	13,5	3,3	8,53	1,30/1,30	8,26	8,9	0,41	0,28
08B-1 NP	12,7	7,75	8,51	4,45	17	3,9	11,3	1,60/1,60	11,81	17,8	0,69	0,5
10B-1 NP	15,875	9,65	10,16	5,08	19,6	4,1	13,28	1,70/1,70	14,73	22,2	0,93	0,67
12B-1 NP	19,05	11,68	12,07	5,72	22,7	4,6	15,62	1,85/1,85	16,13	28,9	1,15	0,89
16B-1 NP	25,4	17,02	15,88	8,28	36,1	5,4	25,45	4,15/3,10	21,08	60	2,71	2,1
20B-1 NP	31,75	19,56	19,05	10,19	43,2	6,1	29,01	4,50/3,50	26,42	95	3,7	2,96
24B-1 NP	38,1	25,4	25,4	14,63	53,4	6,6	37,92	6,00/4,80	33,4	160	7,1	5,54

ANSI - 单排

40-1 NP	12,7	7,85	7,92	3,98	17,8	3,9	11,17	1,50/1,50	12,07	13,9	0,62	0,43
50-1 NP	15,875	9,4	10,16	5,09	21,8	4,1	13,84	2,00/2,00	15,09	21,8	1,02	0,69
60-1 NP	19,05	12,57	11,91	5,96	26,9	4,6	17,75	2,40/2,40	18,1	31,3	1,5	1,05
80-1 NP	25,4	15,75	15,88	7,94	33,5	5,4	22,6	3,01/3,10	24,13	55,6	2,6	1,77
100-1 NP	31,75	18,9	19,05	9,54	41,1	6,1	27,45	4,00/4,00	30,17	87	3,91	2,58
120-1 NP	38,1	25,22	22,23	11,11	50,8	6,6	35,45	4,80/4,80	36,2	125	5,62	3,89

¹ 直链板

¹ Straight side plates





滚子链 - 镀锌系列 - 符合ISO 606

Roller chains – zinc-plated series – according to ISO 606

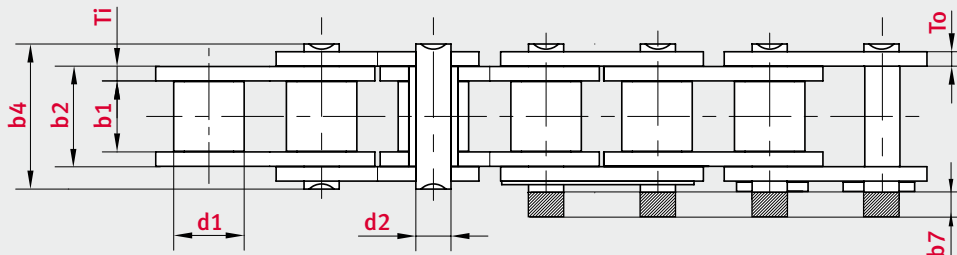
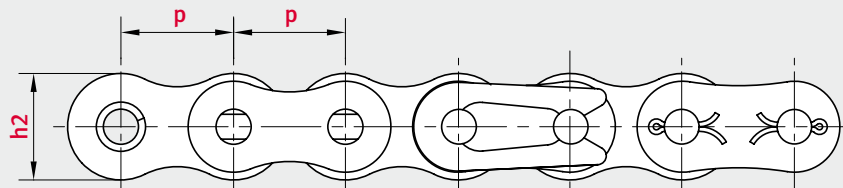
链条型号	节距	内节内宽	滚子直径	销轴直径	销轴长度	接头销轴增加的最大长度	内节外宽	链片厚度	内链板高度	最小抗拉强度	每米重量	承压面积
Chain type	Pitch	Width between inner plates	Roller Ø	Pin Ø	Pin length	Max. add. length of connecting link	Total width inner link	Plate thickness	Height inner plate	Min. tensile strength	Weight per meter	Bearing area
	p mm	最小值 b1 mm	最大值 d1 mm	最大值 d2 mm	最大值 b4 mm	最大值 b7 mm	最大值 b2 mm	Ti/To mm	最大值 h2 mm	FU kN	q kg/m	f cm ²

BS - 单排

08B-1 ZP	12,7	7,75	8,51	4,45	17	3,9	11,3	1,60/1,60	11,81	15,8	0,69	0,5
10B-1 ZP	15,875	9,65	10,16	5,08	19,6	4,1	13,28	1,70/1,70	14,73	19,7	0,93	0,67
12B-1 ZP	19,05	11,68	12,07	5,72	22,7	4,6	15,62	1,85/1,85	16,13	25,5	1,15	0,89
16B-1 ZP	25,4	17,02	15,88	8,28	36,1	5,4	25,45	4,15/3,10	21,08	52,2	2,71	2,1
20B-1 ZP	31,75	19,56	19,05	10,19	43,2	6,1	29,01	4,50/3,50	26,42	82,6	3,7	2,96
24B-1 ZP	38,1	25,4	25,4	14,63	53,4	6,6	37,92	6,00/4,80	33,4	139	7,1	5,54

ANSI - 单排

40-1 ZP	12,7	7,85	7,92	3,98	17,8	3,9	11,17	1,50/1,50	12,07	12	0,62	0,43
50-1 ZP	15,875	9,4	10,16	5,09	21,8	4,1	13,84	2,00/2,00	15,09	18,9	1,02	0,69
60-1 ZP	19,05	12,57	11,91	5,96	26,9	4,6	17,75	2,40/2,40	18,1	27,2	1,5	1,05
80-1 ZP	25,4	15,75	15,88	7,94	33,5	5,4	22,6	3,10/3,10	24,13	48,3	2,6	1,77
100-1 ZP	31,75	18,9	19,05	9,54	41,1	6,1	27,45	4,00/4,00	30,17	75,6	3,91	2,58
120-1 ZP	38,1	25,22	22,23	11,11	50,8	6,6	35,45	4,80/4,80	36,2	108,6	5,62	3,89



ELITE® 锌片涂层滚子链
Zinc-flake coated roller chains

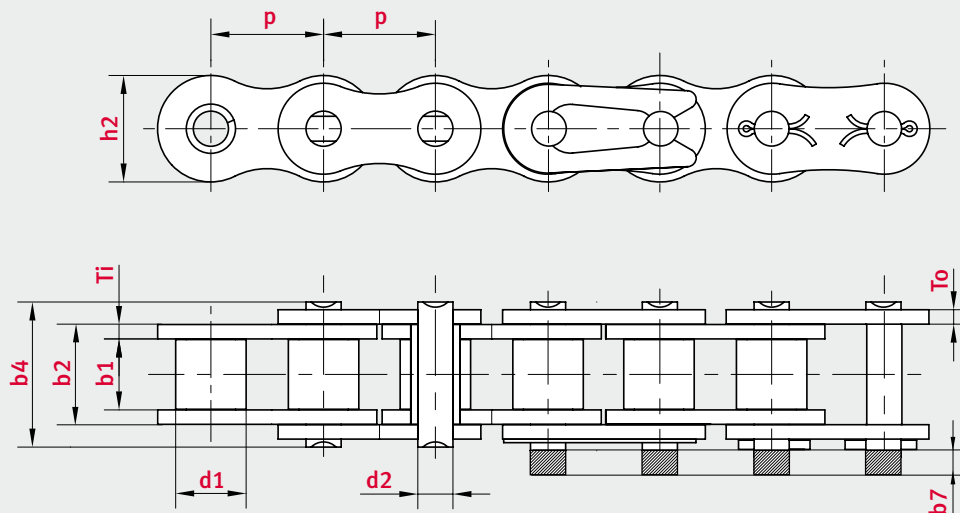
链条型号 Chain type	节距 Pitch	内节内宽 Width between inner plates	滚子直径 Roller Ø	销轴直径 Pin Ø	销轴长度 Pin length	接头销轴增加的最大长度 Max. add. length of connecting link	内节外宽 Total width inner link	链片厚度 Plate thickness	内链板高度 Height inner plate	最小抗拉强度 Min. tensile strength	平均抗拉强度 Avg. tensile strength	每米重量 Weight per meter	承压面积 Bearing area
	p mm	最小值 b1 mm	最大值 d1 mm	最大值 d2 mm	最大值 b4 mm	最大值 b7 mm	最大值 b2 mm	Ti/To mm	最大值 h2 mm	FU kN	FB kN	q kg/m	f cm²

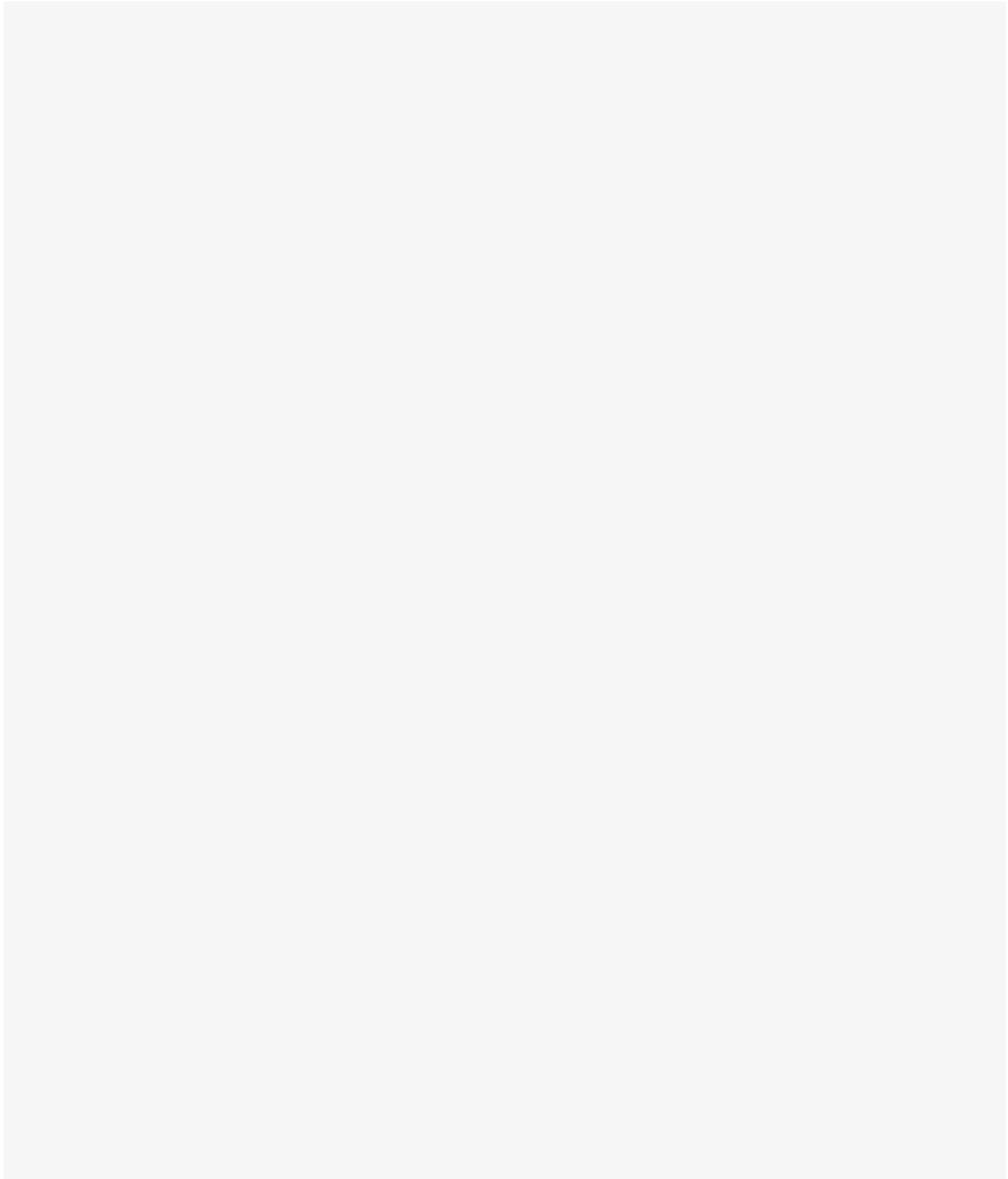
BS - 单排

08B-1 ZAP	12,7	7,75	8,51	4,45	17	3,9	11,3	1,60/1,60	11,81	17,8	19,6	0,69	0,5
10B-1 ZAP	15,875	9,65	10,16	5,08	19,6	4,1	13,28	1,70/1,70	14,73	22,2	27,5	0,93	0,67
12B-1 ZAP	19,05	11,68	12,07	5,72	22,7	4,6	15,62	1,85/1,85	16,13	28,9	33,3	1,15	0,89
16B-1 ZAP	25,4	17,02	15,88	8,28	36,1	5,4	25,45	4,15/3,10	21,08	60	71	2,71	2,1
20B-1 ZAP	31,75	19,56	19,05	10,19	43,2	6,1	29,01	4,50/3,50	26,42	95	101,8	3,7	2,96
24B-1 ZAP	38,1	25,4	25,4	14,63	53,4	6,6	37,92	6,00/4,80	33,4	160	176	7,1	5,54
28B-1 ZAP	44,45	30,99	27,94	15,9	65,1	7,4	46,58	7,50/6,00	37,08	200	215,6	8,5	7,4
32B-1 ZAP	50,8	30,99	29,21	17,81	67,4	7,9	45,57	7,00/6,00	42,29	250	280,3	10,25	8,11

ANSI - 单排

40-1 ZAP	12,7	7,85	7,92	3,98	17,8	3,9	11,17	1,50/1,50	12,07	13,9	17,8	0,62	0,43
50-1 ZAP	15,875	9,4	10,16	5,09	21,8	4,1	13,84	2,00/2,00	15,09	21,8	28	1,02	0,69
60-1 ZAP	19,05	12,57	11,91	5,96	26,9	4,6	17,75	2,40/2,40	18,1	31,3	39	1,5	1,05
80-1 ZAP	25,4	15,75	15,88	7,94	33,5	5,4	22,6	3,10/3,10	24,13	55,6	71,5	2,6	1,77
100-1 ZAP	31,75	18,9	19,05	9,54	41,1	6,1	27,45	4,00/4,00	30,17	87	102	3,91	2,58
120-1 ZAP	38,1	25,22	22,23	11,11	50,8	6,6	35,45	4,80/4,80	36,2	125	156,9	5,62	3,89





MEGAlife免润滑滚子链
MEGAlife maintenance-free roller chains



MEGAlife免润滑滚子链

MEGAlife maintenance-free roller chains

我们将伊维氏集团的免润滑产品系列汇集在一起。我们JWIS品牌的MEGAlife免润滑滚子链和输送链为您提供一系列高品质的产品，其使用寿命比传统的低维护/免润滑滚子链更长，并且性能比以前的Everlastplus链条明显更佳。

MEGAlife-特色

- 无缝烧结套筒 ① 由专为此应用设计的材料制成，经硬化和相关处理，进一步优化了摩擦性能。
- 销轴 ②，具有耐磨、摩擦优化的表面涂层
- 无缝滚子 ③，具有耐腐蚀涂层，并且针对烧结套筒优化了几何形状
- 非常适合常规链条应用，无需重复润滑
- 在某些情况下永久免维护
- 极高的疲劳强度和拉伸强度
- 即使在传统的免润滑链条易于拉伸的应用中也具有出色的耐磨性
- 镀镍组件可提供腐蚀保护
- MEGAlife链条无需润滑，因此清洁、干燥且环保
- 极易拆卸-“轻松断开”
- 也适用于腐蚀性环境；如果可能，建议进行润滑
- 温度范围为-40°C至+150°C
- 轻松将标准链条和输送链应用转换为MEGAlife

行业和应用

- 包装和食品工业
- 印刷业
- 材料搬运，输送系统
- 纺织服装业
- 造纸和装订业
- 电子工业与PCB制造
- 木材、玻璃和陶瓷行业
- 医疗技术
- 灯具制造
- 其他

We have pooled our maintenance-free product range within the iwis Group. Our MEGAlife maintenance-free roller and conveyor chains of the JWIS brand offer you a range of high-quality products with a considerably **longer service life** than conventional low-maintenance/maintenance-free roller chains and **significantly better performance than the previous Everlastplus chain.**

MEGAlife-Highlights

- **Seamless sintered bushes ①** made of a material specially designed for this application, hardened and treated to optimize its tribological properties.
- Pin ② with wear-resistant, friction-optimized surface coating
- Seamless roller ③ with corrosion-resistant coating and geometry optimized for the sinter bush
- Ideally suited for normal chain applications without relubrication
- Permanently maintenance-free under certain conditions
- Extremely high fatigue strength and tensile strength
- Excellent wear resistance even in applications where conventional maintenance-free chains are susceptible to stretching
- Nickel-plated components provide corrosion protection
- MEGAlife chains need no lubrication, so they are clean, dry and eco-friendly
- Extremely easy to dismantle – “easy break”
- Also suitable for operation in corrosive environments; lubrication recommended, if possible
- Temperature range from -40 °C to +150 °C
- Easy conversion of standard chain and conveyor chain applications to MEGAlife

Industries and applications

- Packaging and food industry
- Printing industry
- Material handling, conveyor systems
- Textile and clothing industry
- Paper manufacture and book binding industry
- Electronics industry and PCB manufacture
- Wood, glass and ceramics industry
- Medical technology
- Lamp and lightbulb manufacture
- ... and much more besides

MEGAlife免润滑滚子链

MEGAlife maintenance-free roller chains

链条型号 Chain type	节距 Pitch	内节内宽 Width between inner plates	滚子直径 Roller Ø	销轴直径 Pin Ø	销轴长度 Pin length	接头销轴增加的最大长度 Max. add. length of connecting link	内节外宽 Total width inner link	链片厚度 Plate thickness	内链板高度 Height inner plate	排距 Transverse pitch	最小抗拉强度 Min. tensile strength	每米重量 Weight per meter	承压面积 Bearing area
	p mm	最小值 b1 mm	最大值 d1 mm	最大值 d2 mm	最大值 b4 mm	最大值 b7 mm	最大值 b2 mm	Ti/To mm	最大值 h2 mm	pt mm	FU kN	q kg/m	f cm²

BS - 单排

06B-1 ML ¹	G67 ML	9,525	5,72	6,35	3,31	12,9	3,3	8,53	1,30/1,30	8,26	-	8,9	0,41	0,28
08B-1 ML	L85 ML	12,7	7,75	8,51	4,45	16,9	3,9	11,3	1,60/1,60	11,81	-	17,8	0,69	0,5
10B-1 ML	M106 ML	15,875	9,65	10,16	5,08	19,5	4,1	13,28	1,70/1,70	14,73	-	22,2	0,93	0,67
12B-1 ML	M127 ML	19,05	11,68	12,07	5,72	22,7	4,6	15,62	1,85/1,85	16,13	-	28,9	1,15	0,89
16B-1 ML	M161 ML	25,4	17,02	15,88	8,28	36,1	5,4	25,45	4,15/3,10	21,08	-	60,0	2,71	2,1
20B-1 ML	M2012 ML	31,75	19,56	19,05	10,19	41,6	6,1	29,01	4,50/3,50	26,42	-	95,0	3,7	2,96
24B-1 ML		38,1	25,4	25,4	14,63	53,4	6,6	37,92	6,00/4,80	33,4	-	160,0	7,1	5,54

BS - 双排

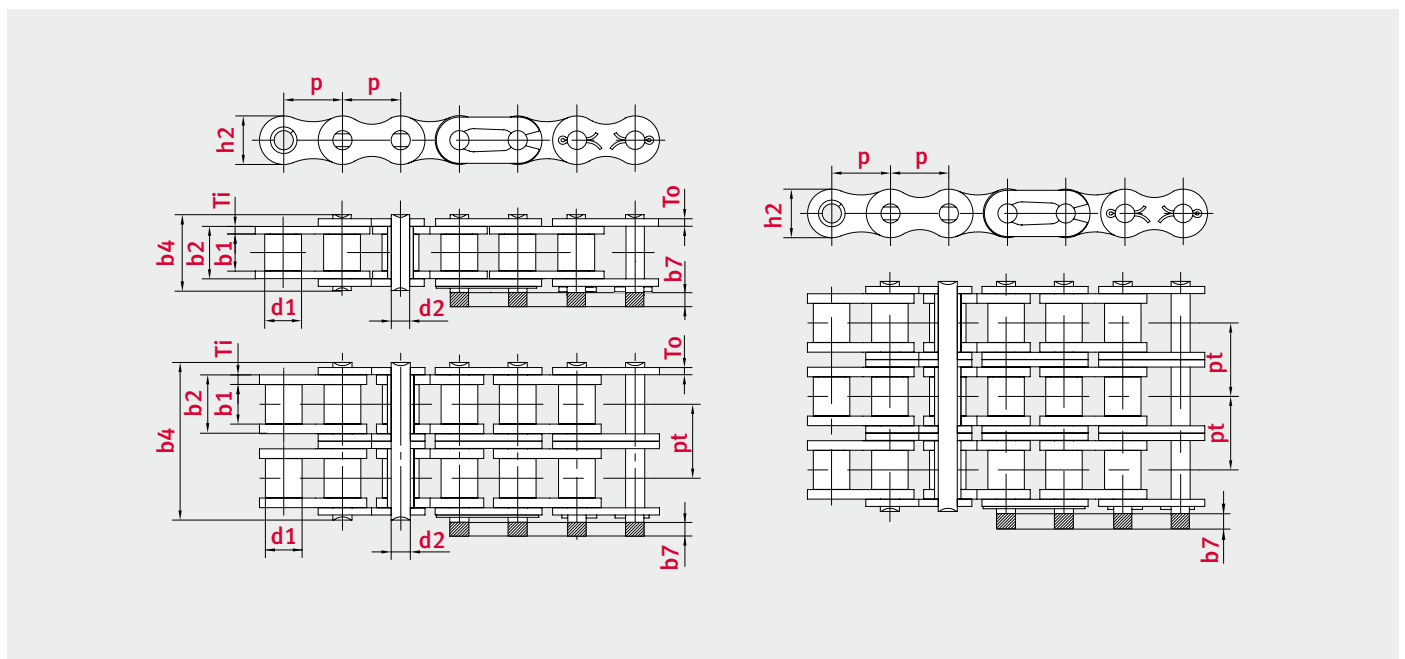
06B-2 ML ¹	D67 ML	9,525	5,72	6,35	3,28	23,4	3,3	8,53	1,30/1,30	8,26	10,24	16,9	0,77	0,56
08B-2 ML	D85 ML	12,7	7,75	8,51	4,45	30,8	3,9	11,3	1,60/1,60	11,81	13,92	31,1	1,34	1,01
10B-2 ML	D106 ML	15,875	9,65	10,16	5,08	36	4,1	13,28	1,70/1,70	14,73	16,59	44,5	1,84	1,34
12B-2 ML	D127 ML	19,05	11,68	12,07	5,72	42,1	4,6	15,62	1,85/1,85	16,13	19,46	57,8	2,31	1,79
16B-2 ML	D1611 ML	25,4	17,02	15,88	8,28	68	5,4	25,45	4,15/3,10	21,08	31,88	106,0	5,42	4,21
20B-2 ML	D2012 ML	31,75	19,56	19,05	10,19	79,7	6,1	29,01	4,50/3,50	26,42	36,45	170,0	7,2	5,91

BS - 三排

08B-3 ML	TR85 ML	12,7	7,75	8,51	4,45	44,7	3,9	11,3	1,60/1,60	11,81	13,92	44,5	2,03	1,51
10B-3 ML	TR106 ML	15,875	9,65	10,16	5,08	52,5	4,1	13,28	1,70/1,70	14,73	16,59	66,7	2,77	2,02
12B-3 ML	TR127 ML	19,05	11,68	12,07	5,72	61,5	4,6	15,62	1,85/1,85	16,13	19,46	86,7	3,46	2,68
16B-3 ML	TR1611 ML	25,4	17,02	15,88	8,28	99,2	5,4	25,45	4,15/3,10	21,08	31,88	160,0	8,13	6,31

¹ 直链板

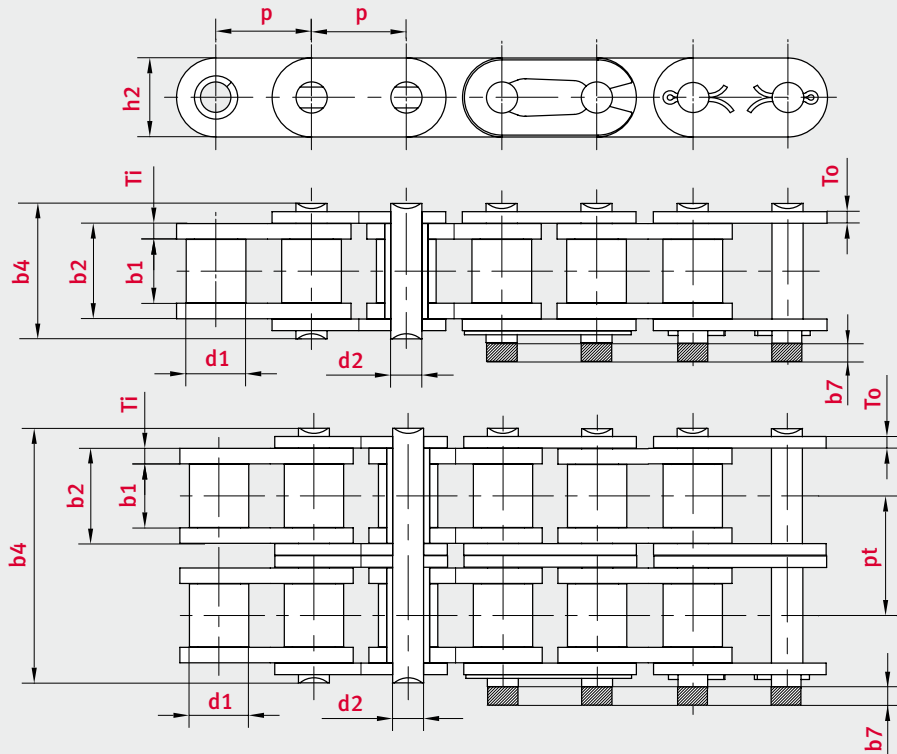
¹ Straight side plates



MEGAlife免润滑带直链板的滚子链

MEGAlife maintenance-free roller chains with straight side plates

链条型号	节距	内节内宽	滚子直径	销轴直径	销轴长度	接头销轴增加的最大长度	内节外宽	链片厚度	内链板高度	排距	最小抗拉强度	每米重量	承压面积	
Chain type	Pitch	Width between inner plates	Roller Ø	Pin Ø	Pin length	Max. add. length of connecting link	Total width inner link	Plate thickness	Height inner plate	Transverse pitch	Min. tensile strength	Weight per meter	Bearing area	
	p mm	最小值 b1 mm	最大值 d1 mm	最大值 d2 mm	最大值 b4 mm	最大值 b7 mm	最大值 b2 mm	Ti/To mm	h2 max. mm	pt mm	FU kN	q kg/m	f cm ²	
BS - 单排														
08B-1 ML-GL	L85 ML-GL	12,7	7,75	8,51	4,45	17	3,9	11,3	1,60/1,60	11,81	-	17,8	0,69	0,5
10B-1 ML-GL	M106 ML-GL	15,875	9,65	10,16	5,08	19,6	4,1	13,28	1,70/1,70	14,73	-	22,2	0,93	0,67
12B-1 ML-GL	M127 ML-GL	19,05	11,68	12,07	5,72	22,7	4,6	15,62	1,85/1,85	16,13	-	28,9	1,15	0,89
16B-1 ML-GL	M1611 ML-GL	25,4	17,02	15,88	8,28	36,1	5,4	25,45	4,15/3,10	21,08	-	60,0	2,71	2,1
24B-1 ML-GL		38,1	25,4	25,4	14,63	53,4	6,6	37,92	6,00/4,80	33,4	-	160,0	7,1	5,54
BS - 双排														
08B-2 ML-GL	D85 ML-GL	12,7	7,75	8,51	4,45	31	3,9	11,3	1,60/1,60	11,81	13,92	31,1	1,34	1,01
10B-2 ML-GL	D106 ML-GL	15,875	9,65	10,16	5,08	36,2	4,1	13,28	1,70/1,70	14,73	16,59	44,5	1,84	1,34
12B-2 ML-GL	D127 ML-GL	19,05	11,68	12,07	5,72	42,2	4,6	15,62	1,85/1,85	16,13	19,46	57,8	2,31	1,79
16B-2 ML-GL	D1611 ML-GL	25,4	17,02	15,88	8,28	68	5,4	25,45	4,15/3,10	21,08	31,88	106,0	5,42	4,21



带附板滚子链
Roller chains with attachments





滚子链附板 - 各种应用可能性

Roller chain attachments – a world of application possibilities

ELITE 提供一系列滚子链产品，满足多种传送应用项目需求。我们在理论和实际层面上均可提供任何特殊链条版本——即使是最具挑战性、最复杂的设计——满足十分多元化的应用领域使用要求。ELITE 还提供快速服务——优先生产和快速交付——满足客户对于选定特殊链条的要求。

ELITE快速服务理念

我公司位于 Wilsndorf 的生产点可以根据客户特定要求迅速高效定制大量特殊链条产品：

- 我司供应折弯附板不仅包含 ELITE 标准尺寸的，还包含多种**市场标准尺寸型号**的。
- 我司可供应按照 ISO 606 标准制造的链条折弯附板
- **应客户要求，我司可供应带镀层版本或不锈钢版本的附板。**
- 带加长销轴的滚子链可独立安装
- 保证快速交货服务

ELITE特色

- 所有ELITE链条均具有锥形的喷丸链板 **①**，尤其是接触比很高
- 无缝、冷挤压、喷丸处理滚子 **②**，具有非常规则的壁厚
- 可提供一系列附板产品 **③** 和带加长销轴版本产品
- 使用标准化部件，保持低生产成本
- 可提供一系列标准化链轮
- 还可提供双排式和三排式链条

行业和应用

- 输送技术
- 通用工程
- 其他

ELITE offers a wide range of roller chain products that fulfil the requirements of a variety of conveyor applications. We can supply virtually any special chain version – even the most difficult and complex design – for use in highly diverse application areas. ELITE also provides Rapid Service – priority production and express delivery – for selected special chains.

The ELITE Rapid Service Concept

Our production site in Wilsndorf can now custom-build a large number of specialised chain versions quickly and efficiently in response to specific customer requirements:

- We stock not only bent attachment plates in ELITE standard dimensions, but also in a variety of **market standard dimensions**
- Bent attachment plates for many chains made to standard ISO 606 available from stock
- **Coated or stainless steel attachment versions can be supplied on request**
- Roller chains with extended pins can be fitted independently of pin cycle
- Guaranteed rapid delivery service

ELITE highlights

- All ELITE chains have tapered, shot-blasted chain plates **①** and especially high contact ratios
- Seamless, cold-extruded, shot-blasted rollers **②** with extremely regular wall thickness
- Wide product range of bent and flat attachment plates and versions **③** with extended pins available
- Use of standard components keeps production costs low
- Large range of standard sprockets with high availability
- Chains also available in duplex or triplex versions

Industries and applications

- Conveyor technology
- General engineering
- ... and much more besides



符合ISO 606要求的带加长销轴的滚子链

Roller chains with extended pins according to ISO 606

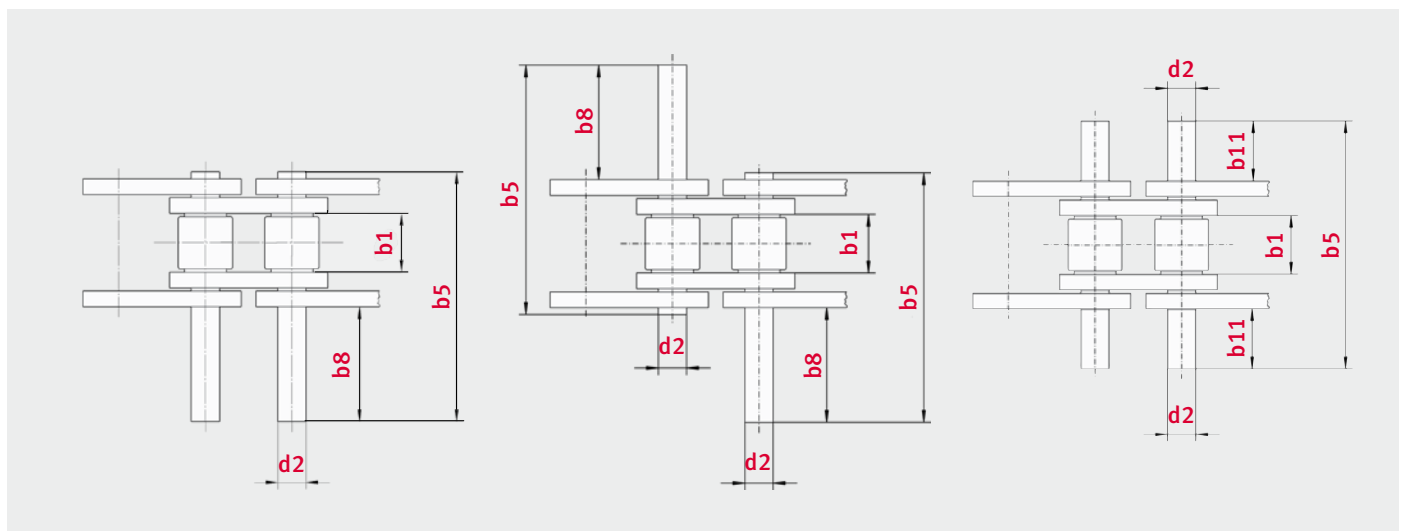
快速服务
Rapid Service

ELITE 伊维氏快速服务 支持在收到客户通知后短时间内交付08B-1至16B-1尺寸类型的滚子链。(第17页)。
ELITE roller chains in sizes 08B-1 to 16B-1 can be delivered at short notice by our Rapid Service program (page 17).

链条类型 Chain type	节距 Pitch	内节内宽 Width between inner plates	销轴直径 Pin Ø	双排销轴长度 Length duplex pins			三排销轴长度 Length triplex pins		
ISO	p mm	最小值 b1 mm	最大值 d2 mm	最大值 b5 mm	最大值 b8 mm	最大值 b11 mm	最大值 b5 mm	最大值 b8 mm	最大值 b11 mm
06B-1	9,525	5,72	3,28	23,8	12,2	6,6	-	-	-
08B-1	12,7	7,75	4,45	31	15,5	8,2	45	29,6	15,3
10B-1	15,875	9,65	5,08	36,3	18,5	9,8	53	35	18,2
12B-1	19,05	11,68	5,72	42,2	21,5	11,4	62,2	41,2	21,4
16B-1	25,4	17,02	8,28	68	34,5	18	99,6	65,2	33,7
35-1	9,525	4,68	3,58	23,4	11	5,5	-	-	-
40-1	12,7	7,85	3,96	32,3	14,8	7,4	46,7	29,9	15,35
50-1	15,875	9,4	5,08	39,9	19,4	9,7	57,9	37,5	19,4
60-1	19,05	12,57	5,94	49,8	24,2	12,1	72,6	47	24,2
80-1	25,4	15,75	7,92	62,7	31,3	15,65	91,9	60,6	31,3

带加长销轴的滚子链制造时，在外链节处对节距进行校正。在某些情况下，制造附板时必须考虑到这种节距校正。如需了解详细准确的节距尺寸，请联系我们。

Roller chains with extended pins are manufactured with the pitch corrected at the outer link. In some cases, this pitch correction must be taken into account when manufacturing attachments. Please contact us for details of exact pitch dimensions.





符合ISO 606要求的滚子链折弯附板

Bent attachments for roller chains according to ISO 606

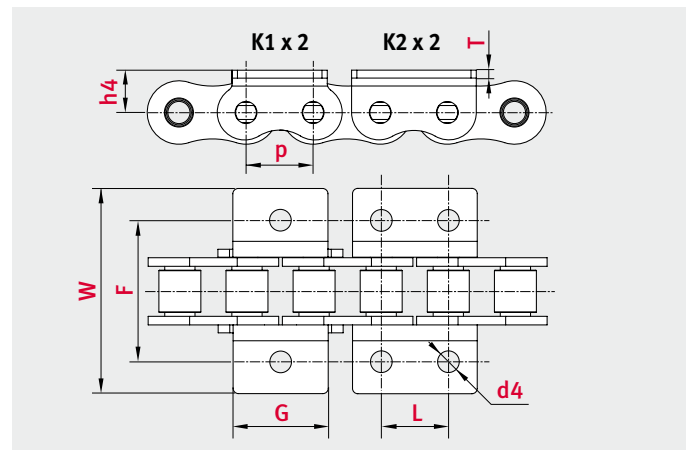
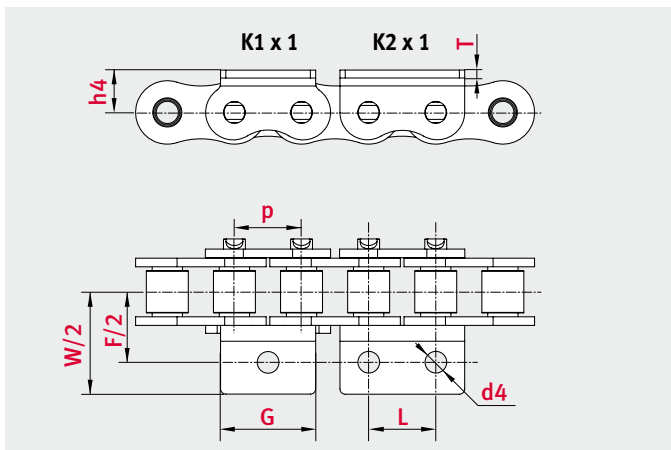
快速服务
Rapid Service

ELITE 伊维氏快速服务 支持在收到客户通知后短时间内交付08B-1至16B-1尺寸类型的滚子链。(第17页)。
ELITE roller chains in sizes 08B-1 to 16B-1 can be delivered at short notice by our Rapid Service program (page 17).

链条类型 Chain type	附板 Attachment	版本 Version	节距 Pitch	G mm	L mm	h4 mm	d4 mm	T mm	F mm	W mm	F/2 mm	W/2 mm
08B	K1	FL	12,7	9,5	-	8,9	4,5	1,6	25,3	36,4	12,6	18,2
08B	K1	RN	12,7	11,0	-	8,9	4,3	1,6	25,4	41,7	12,7	20,8
08B	K1	RX	12,7	10,6	-	8,5	4,3	1,6	27,6	39,4	13,8	19,7
08B	K1 *	WI *	12,7	12,5	-	10,0	4,5	1,6	26,2	38,0	13,1	19,0
08B	K2	FL	12,7	23,3	12,7	8,9	4,3	1,6	25,3	36,4	12,6	18,2
08B	K2	RN	12,7	24,4	12,7	8,9	4,3	1,6	25,4	41,7	12,7	20,8
08B	K2	RX	12,7	24,4	12,7	8,5	4,3	1,6	26,0	39,4	13,0	19,7
08B	K2 *	WI *	12,7	23,2	12,7	10,0	4,5	1,6	26,2	38,0	13,1	19,0
10B	K1	FL	15,875	14,3	-	10,3	5,3	1,7	31,8	44,6	15,9	22,3
10B	K1	RN	15,875	14,0	-	10,3	5,3	1,7	31,8	49,6	15,9	24,8
10B	K1	RX	15,875	12,5	-	10,3	5,4	1,7	29,8	47,0	14,9	23,5
10B	K1 *	WI *	15,875	15,0	-	10,0	5,5	1,7	33,4	54,0	16,7	27,0
10B	K2	FL	15,875	29,6	15,9	10,3	5,3	1,7	31,8	44,6	15,9	22,3
10B	K2	RN	15,875	29,9	15,9	10,3	5,3	1,7	31,8	49,6	15,9	24,8
10B	K2	RX	15,875	28,6	15,9	10,3	5,1	1,7	30,0	42,16	15,0	21,0
10B	K2 *	WI *	15,875	28,5	15,9	10,0	5,5	1,7	33,4	54,0	16,7	27,0
12B	K1	FL	19,05	16,0	-	13,5	6,4	1,9	38,2	52,5	19,1	26,2
12B	K1	RN	19,05	18,0	-	13,5	6,6	1,9	38,2	52,8	19,1	26,4
12B	K1	RX	19,05	16,0	-	13,5	7,2	1,9	38,2	52,9	19,1	26,4
12B	K1 *	WI *	19,05	18,5	-	11,0	6,6	1,9	37,3	58,1	18,6	29,0
12B	K2	FL	19,05	35,1	19,05	13,5	6,4	1,9	38,2	52,5	19,1	26,2
12B	K2	RN	19,05	35,4	19,05	13,5	6,6	1,9	38,2	52,8	19,1	26,4
12B	K2	RX	19,05	35,2	19,05	12,0	6,6	1,9	36,1	55,3	18,0	27,6
12B	K2 *	WI *	19,05	33,6	19,05	11,0	6,6	1,9	37,3	58,1	18,6	29,0
16B	K1	FL	25,4	19,1	-	15,9	6,4	3,1	50,9	72,7	25,4	36,3
16B	K1	RN	25,4	24,0	-	15,9	6,6	3,1	50,8	85,6	25,4	42,8
16B	K1	RX	25,4	19,0	-	15,9	6,6	3,1	53,0	75,0	26,5	37,5
16B	K1 *	WI *	25,4	25,0	-	18,0	9	3,1	57,8	84,0	28,9	42,0
16B	K2	FL	25,4	46,4	25,4	15,9	6,4	3,1	50,8	72,6	25,4	36,3
16B	K2	RN	25,4	46,2	25,4	15,9	6,6	3,1	50,8	85,6	25,4	42,8
16B	K2	RX	25,4	45,8	25,4	19,0	8,3	3,1	50,8	73,6	25,4	36,8
16B	K2 *	WI *	25,4	46,5	25,4	18,0	9	3,1	57,8	84,0	28,9	42,0
20B	K1	FL	31,75	35,0	-	19,8	8,4	3,5	63,5	100,5	31,7	50,2
20B	K2	FL	31,75	58,1	31,75	19,8	9,0	3,5	63,5	100,0	31,7	50,2
24B	K1	FL	38,1	30,0	-	26,7	10,5	4,8	76,2	108,4	38,1	54,2
24B	K2	FL	38,1	71,3	38,1	26,7	10,5	4,8	76,2	108,4	38,1	54,2

* 还可提供不锈钢版本

* Also available in stainless steel





符合ISO 606要求的滚子链垂直附板

Straight attachments for roller chains according to ISO 606

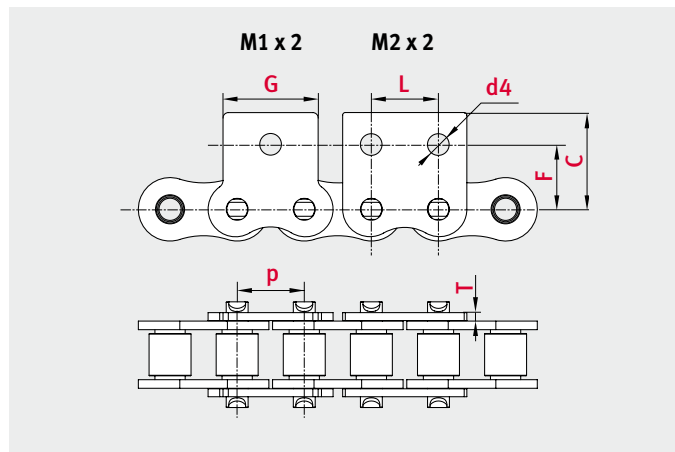
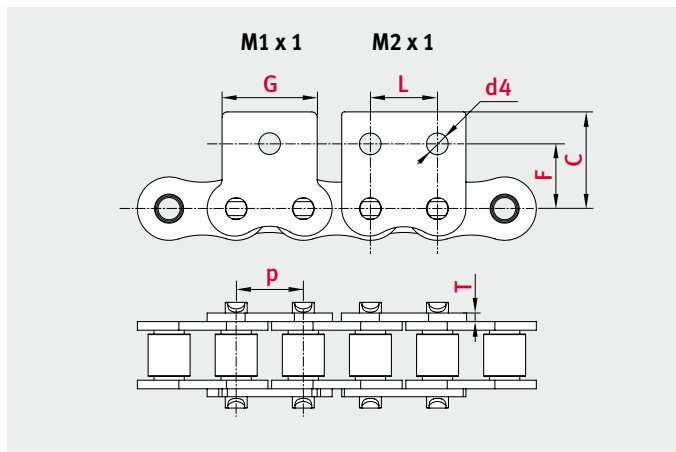
快速服务
Rapid Service

ELITE 伊维氏快速服务 支持在收到客户通知后短时间内交付08B-1至16B-1尺寸类型的滚子链。(第17页)。
ELITE roller chains in sizes 08B-1 to 16B-1 can be delivered at short notice by our Rapid Service program (page 17).

链条型号 Chain type	附板 Attachment	版本 Version	节距 Pitch	G mm	L mm	d4 mm	T mm	F mm	C mm
08B	M1	FL	12,7	9,5	-	4,5	1,6	-	18,9
08B	M1	RN	12,7	11,0	-	4,3	1,6	13,7	20,8
08B	M1	RX	12,7	10,6	-	4,3	1,6	12,7	19,0
08B	M1 *	WI *	12,7	12,5	-	4,5	1,6	14,7	20,3
08B	M2	FL	12,7	23,3	12,7	4,3	1,6	13,3	18,9
08B	M2	RN	12,7	24,4	12,7	4,3	1,6	13,0	20,8
08B	M2	RX	12,7	23,7	12,7	4,3	1,6	12,3	17,2
08B	M2 *	WI *	12,7	23,2	12,7	4,5	1,6	14,7	20,3
10B	M1	FL	15,875	14,3	-	5,3	1,7	16,5	22,9
10B	M1	RN	15,875	14,0	-	5,3	1,7	16,5	24,9
10B	M1	RX	15,875	12,5	-	5,1	1,7	15,9	23,4
10B	M1 *	WI *	15,875	15,0	-	5,5	1,7	17,2	26,7
10B	M2	FL	15,875	29,6	15,9	5,3	1,7	16,5	22,9
10B	M2	RN	15,875	29,9	15,9	5,3	1,7	16,5	24,9
10B	M2	RX	15,875	28,6	15,9	5,1	1,7	15,4	21,0
10B	M2 *	WI *	15,875	28,5	15,9	5,5	1,7	17,2	26,7
12B	M1	FL	19,05	16,0	-	6,4	1,9	21,4	28,6
12B	M1	RN	19,05	18,0	-	6,6	1,9	21,0	28,2
12B	M1	RX	19,05	16,0	-	5,4	1,9	17,7	28,0
12B	M1 *	WI *	19,05	18,5	-	6,6	1,9	18,7	29,0
12B	M2	FL	19,05	35,1	19,0	6,4	1,9	21,4	28,6
12B	M2	RN	19,05	35,4	19,0	6,6	1,9	21,0	28,2
12B	M2	RX	19,05	35,2	19,0	6,6	1,9	20,0	29,8
12B	M2 *	WI *	19,05	33,6	19,0	6,6	1,9	18,7	29,0
16B	M1	FL	25,4	19,1	-	6,4	3,1	23,2	34,0
16B	M1	RN	25,4	24,0	-	6,6	3,1	23,0	39,7
16B	M1	RX	25,4	19,0	25,4	6,6	3,1	23,8	34,2
16B	M1 *	WI *	25,4	25,0	-	9,0	3,1	28,6	41,5
16B	M2	FL	25,4	46,4	25,4	6,4	3,1	23,1	34,0
16B	M2	RN	25,4	46,2	25,4	6,6	3,1	23,0	39,7
16B	M2	RX	25,4	46,0	25,4	8,3	3,1	25,9	36,7
16B	M2 *	WI *	25,4	46,5	25,4	9,0	3,1	28,6	41,5
20B	M1	FL	31,75	35,0	-	8,4	3,5	30,5	45,7
20B	M2	FL	31,75	58,1	31,7	8,4	3,5	30,5	45,7

* 还可提供不锈钢版本

* Also available in stainless steel

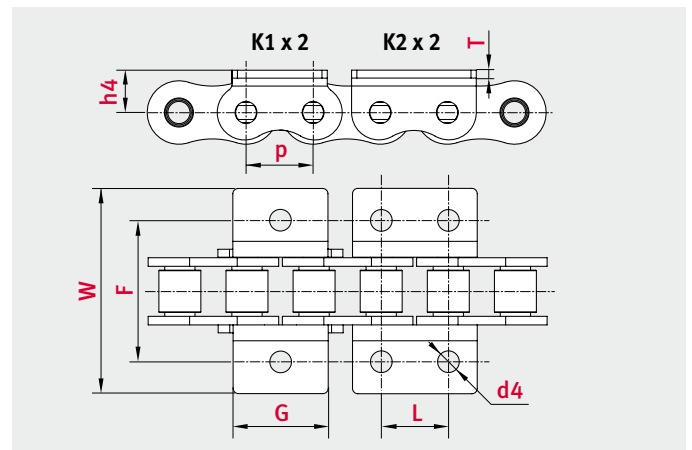
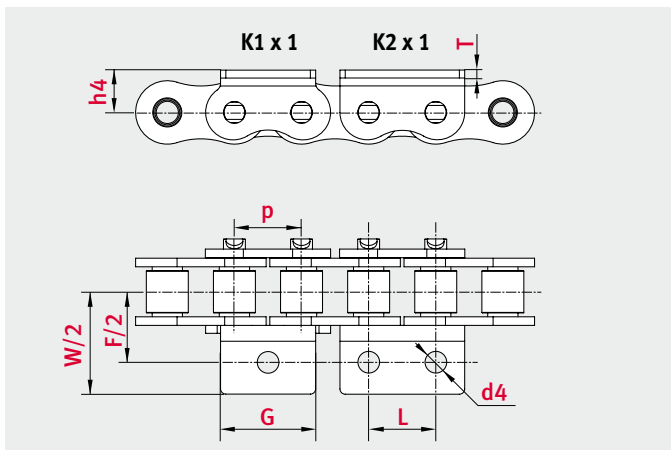




符合ANSI要求的滚子链折弯附板

Bent attachments for roller chains according to ANSI

链条型号 Chain type	附板 Attachment	节距 Pitch	G mm	L mm	h4 mm	d4 mm	T mm	F mm	W mm	F/2 mm	W/2 mm
40-1	K1	12,7	9,40	12,70	7,9	3,3	1,5	25,4	35,0	12,7	17,5
50-1	K1	15,875	14,22	16,00	10,4	5,1	2,0	32,0	49,2	16,0	24,6
60-1	K1	19,05	16,00	19,05	11,9	5,1	2,2	38,2	55,8	19,1	27,9
80-1	K1	25,4	19,10	25,40	16,0	6,6	3,2	50,8	78,8	25,4	39,4
100-1	K1	31,75	25,40	31,75	19,8	8,1	4,0	63,6	85,8	31,8	42,9
120-1	K1	38,1	28,70	38,10	23,1	9,9	4,8	76,2	106,2	38,1	53,1
40-1	K2	12,7	23,1	12,70	7,9	3,3	1,5	25,4	35,0	12,7	17,5
50-1	K2	15,875	28,7	16,00	10,4	5,1	2,0	32,0	49,2	16,0	24,6
60-1	K2	19,05	36,3	19,05	11,9	5,1	2,2	38,2	55,8	19,1	27,9
80-1	K2	25,4	48,5	25,40	16,0	6,6	3,2	50,8	78,8	25,4	39,4
100-1	K2	31,75	62,0	31,75	19,8	8,1	4,0	63,6	85,8	31,8	42,9
120-1	K2	38,1	71,1	38,10	23,1	9,9	4,8	76,2	106,2	38,1	53,1

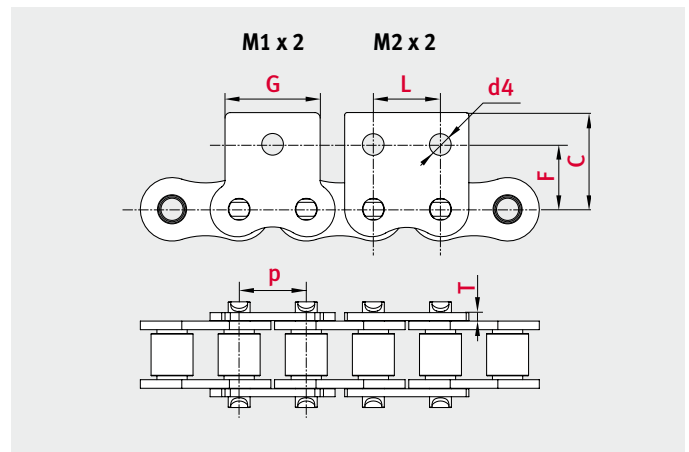
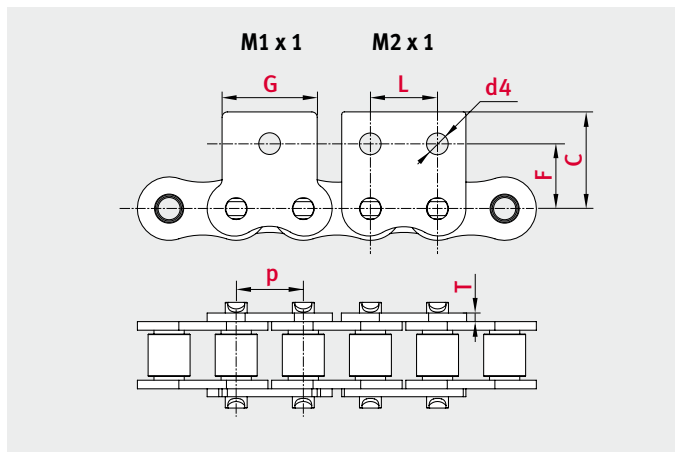




符合ANSI要求的滚子链垂直附板

Straight attachments for roller chains according to ANSI

链条型号 Chain type	附板 Attachment	节距 Pitch	G mm	L mm	h4 mm	d4 mm	T mm	F mm	W mm	F mm	C mm
40-1	M1	12,7	9,40	12,70	7,9	3,3	1,5	25,4	35,0	12,7	17,5
50-1	M1	15,875	14,22	16,00	10,4	5,1	2,0	32,0	49,2	16,0	24,6
60-1	M1	19,05	16,00	19,05	11,9	5,1	2,2	38,2	55,8	19,1	27,9
80-1	M1	25,4	9,14	25,40	16,0	6,6	3,2	50,8	78,8	25,4	39,4
100-1	M1	31,75	25,40	31,75	19,8	8,1	4,0	63,6	85,8	31,8	42,9
120-1	M1	38,1	28,70	38,10	23,1	9,9	4,8	76,2	106,2	38,1	53,1
40-1	M2	12,7	23,1	12,70	7,9	3,3	1,5	25,4	35,0	12,7	17,5
50-1	M2	15,875	28,7	16,00	10,4	5,1	2,0	32,0	49,2	16,0	24,6
60-1	M2	19,05	36,3	19,05	11,9	5,1	2,2	38,2	55,8	19,1	27,9
80-1	M2	25,4	48,5	25,40	16,0	6,6	3,2	50,8	78,8	25,4	39,4
100-1	M2	31,75	62,0	31,75	19,8	8,1	4,0	63,6	85,8	31,8	42,9
120-1	M2	38,1	71,1	38,10	23,1	9,9	4,8	76,2	106,2	38,1	53,1



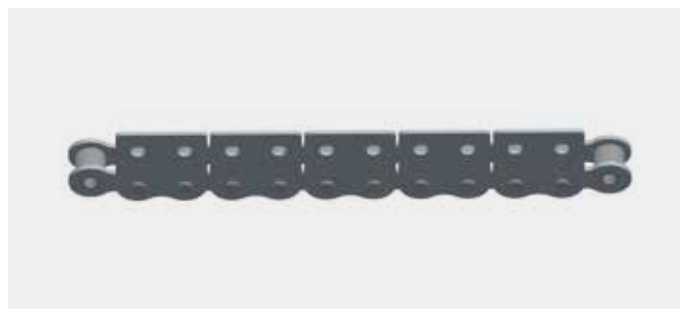
附板选配示例

Examples of attachments configurations

单边安装，每隔一个外链节带一个M2附板的滚子链
Roller chain with attachment M2 every other outer link on one side



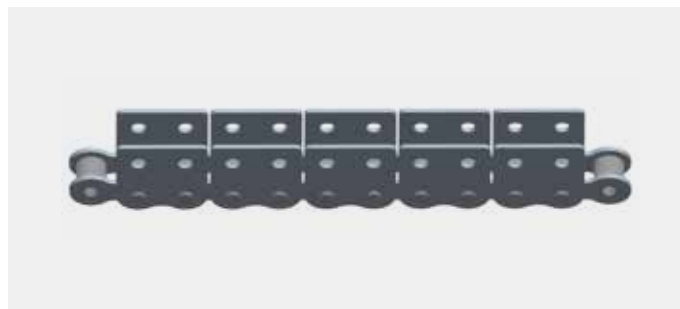
单边安装，每一个外链节带一个M2附板的滚子链
Roller chain with attachment M2 every outer link on one side



两边安装，每隔一个外链节带一个M2附板的滚子链
Roller chain with attachment M2 every other outer link on both sides



两边安装，每一个外链节带一个M2附板的滚子链
Roller chain with attachment M2 every outer link on both sides



单边安装，每隔一个外链节带一个K2附板的滚子链
Roller chain with attachment K2 every other outer link on one side



单边安装，每一个外链节带一个K2附板的滚子链
Roller chain with attachment K2 every outer link on one side



两边安装，每隔一个外链节带一个K2附板的滚子链)
Roller chain with attachment K2 every other outer link on both sides



两边安装，每一个外链节带一个K2附板的滚子链
Roller chain with attachment K2 every outer link on both sides



带硫化橡胶的滚子链
Roller chains with vulcanised
elastomer profiles





带硫化橡胶的滚子链

Roller chains with vulcanised elastomer profiles

带有橡胶的滚子链特别适用于需要轻柔输送和处理易碎、易损坏产品的应用项目。ELITE链条用于运输不得被刮伤的产品，比如带有涂层的或细薄的金属、刨光木板或管道等。伊维氏ELITE系列产品使用的材料为丁腈橡胶（NBR），硬度为80 Shore A。NBR保证粘性摩擦、耐磨损性能和使用寿命都达到最优水平。应客户要求，可针对特殊应用项目提供其它型材类型。

Roller chains with elastomer profiles are ideal for applications where fragile goods require gentle conveyor handling. ELITE chains are used for transporting goods that should not be scratched, such as coated or thin sheet metal, planed timber planks or pipes. The material iwis uses for the ELITE product range is nitrile butadiene rubber (NBR) with a hardness of 80 Shore A. NBR offers the optimum combination of cohesive friction, abrasion resistance and durability. Other profile types are possible for special applications and can be supplied on request.

ELITE特色

- 所有的ELITE链板 ① 均为锥形并经过喷丸处理；根据需要可选精冲和挤孔等生产工艺，因此可确保极高的接触比
- 无缝、冷挤压、喷丸处理滚子 ②，壁厚极规则
- 标准橡胶型材 ③ 为丁腈橡胶（NBR），其硬度为80 Shore A。
- NBR集合了最佳的摩擦、耐磨性和耐用性。
- 应客户要求，可提供天然橡胶或聚氨酯型材的链条。
- 工作温度范围：-30 °C至+100 °C（在不同的硬度和摩擦值下）

ELITE highlights

- All ELITE chain plates ① are tapered and shot-blasted; production processes such as fine blanking and ball-drifting ensure a particularly high contact ratio
- Seamless, cold-extruded, shot-blasted rollers ② with extremely regular wall thickness
- The standard rubber profile ③ is nitrile butadiene rubber (NBR) with a hardness of 80 Shore A.
- NBR combines the best characteristics of cohesive friction, abrasion resistance and durability.
- Chains with natural rubber or polyurethane profiles are available on request.
- Operating temperature range: -30 °C to +100 °C (at changed hardness and friction values)

行业和应用

- 输送技术
- 物流系统
- 制药行业
- 食品和饮料行业
- 包装行业
- 自动组装和运输
- 木材加工和家具行业
- 其他

Industries and applications

- Conveyor technology
- Logistics systems
- Pharmaceutical industry
- Food and beverage industry
- Packaging industry
- Automated assembly and handling
- Wood processing and furniture industry
- ... and much more besides

ELITE产品其他优点

- 我们还设计了复杂的集成式整套系统解决方案
- 应客户要求，还可提供适用的链条链轮
- 我们还提供多种附件和链条工具

Additional ELITE benefits

- We also design complex solutions for integrated complete systems
- Suitable chain sprockets also available on request
- We also offer accessories and chain tools

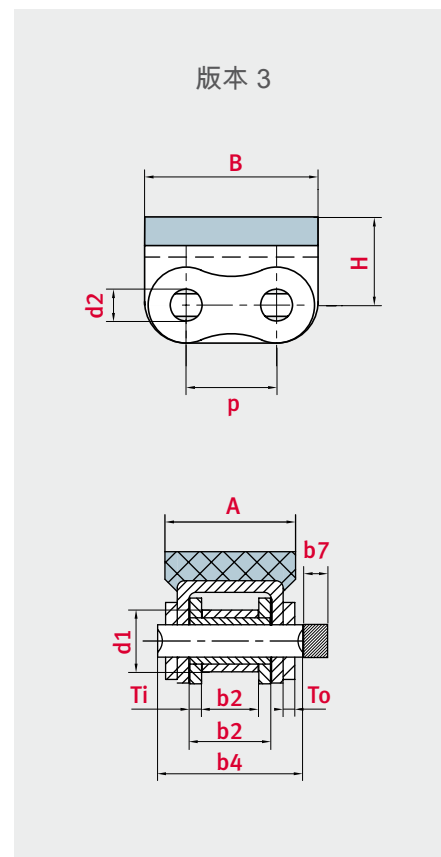
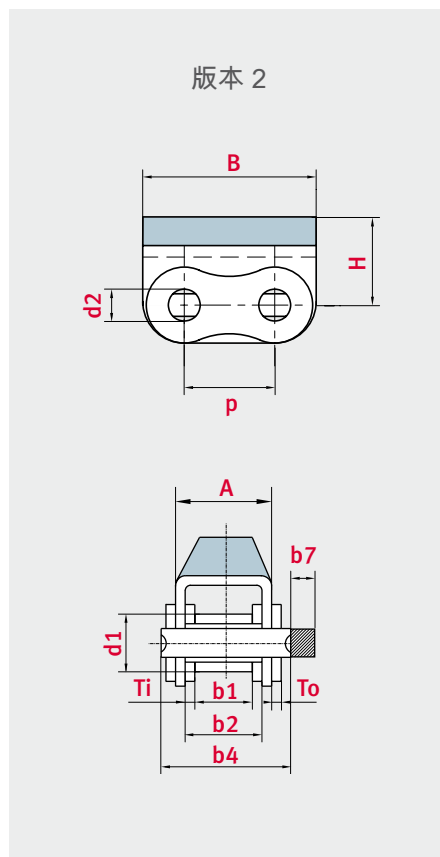
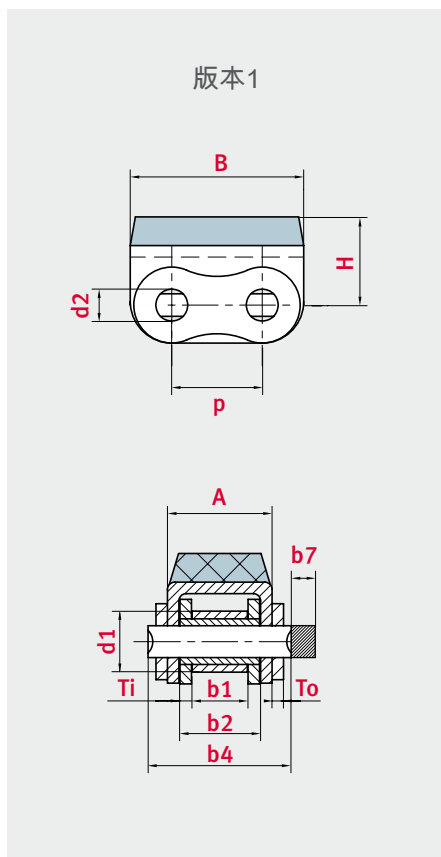


带硫化橡胶滚子链

Roller chains with vulcanised elastomer profiles

链条型号	形状	节距	内节内宽	滚子直径	销轴直径	销轴长度	接头销轴增加的最大长度	内节外宽	链片厚度	附板尺寸			最小抗拉强度	每米重量	承压面积
Chain type		Pitch	Width between inner plates	Roller Ø	Pin Ø	Pin length	Max. add. length of connecting link	Total width inner link	Plate thickness	Attachment dimensions			Min. tensile strength	Weight per meter	Bearing area
		p mm	最小值 b1 mm	最大值 d1 mm	最大值 d2 mm	最大值 b4 mm	最大值 b7 mm	最大值 b2 mm	Ti/To mm	A mm	B mm	H mm	FU kN	q kg/m	f cm ²
08B-1 G1	1	12,7	7,75	8,51	4,45	20	3,9	11,3	1,60/1,60	14,6	24,2	12,3	17,8	1,19	0,5
08B-1 G3	3	12,7	7,75	8,51	4,45	20	3	11,3	1,60/1,60	18	24,2	12,3	18	1,35	0,5
10B-1 G2	2	15,875	9,65	10,16	5,08	23,2	4,1	13,28	1,70/1,70	16,8	30	17	22,2	1,62	0,67
12B-1 G1	1	19,05	11,68	12,07	5,72	26,5	4,6	15,62	1,85/1,85	19,6	36	21	28,9	2,01	0,89
16B-1 G2	2	25,4	17,02	15,88	8,28	39,2	5,4	25,45	4,15/3,10	29,1	49	21,4	60	3,83	2,11
16B-1 G3	3	25,4	17,02	15,88	8,28	39,7	5,4	25,45	4,15/3,10	29,1	49	21,4	60	3,83	2,11
80-1 G1	1	25,4	15,75	15,88	7,94	38	5,4	22,6	3,10/3,10	27,5	46	21,4	55,6	3,97	1,79
20B-1 G1	1	31,75	19,56	19,05	10,19	48,5	6,1	29,01	4,50/3,50	36,3	58	27	95	6,19	2,96
24B-1 G2	2	38,1	25,4	25,4	14,63	61,6	6,6	37,92	6,00/4,80	47	72,6	34	160	11,25	5,55

5



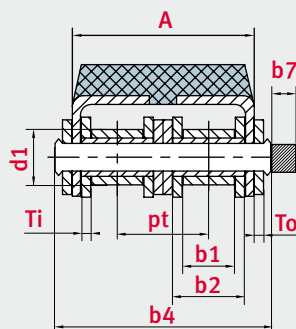
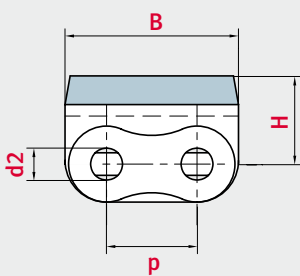


带硫化橡胶滚子链

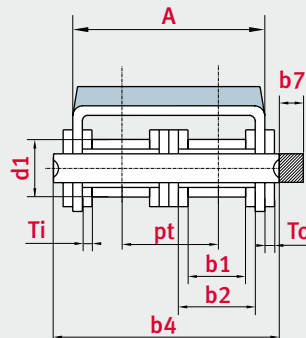
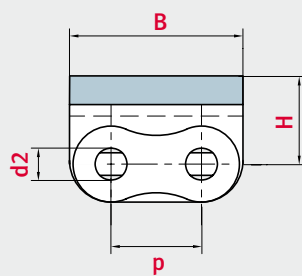
Roller chains with vulcanised elastomer profiles

链条型号	形状	节距	内节内宽	滚子直径	销轴直径	销轴长度	接头销轴增加的最大长度	内节外宽	链片厚度	排距	附板尺寸			最小抗拉强度	每米重量	承压面积
Chain type		Pitch	Width between inner plates	Roller Ø	Pin Ø	Pin length	Max. add. length of connecting link	Total width inner link	Plate thickness	Transverse pitch	Attachment dimensions			Min. tensile strength	Weight per meter	Bearing area
		p mm	最小值 b1 mm	最大值 d1 mm	最大值 d2 mm	最大值 b4 mm	最大值 b7 mm	最大值 b2 mm	Ti/To mm	Pt mm	A mm	B mm	H mm	FU kN	q kg/m	f cm ²
08B-2 G1	1	12,7	7,75	8,51	4,45	34,3	3,9	11,3	1,60/1,60	13,92	28,4	24,2	12,3	31,1	2,07	1,01
10B-2 G1	1	15,875	9,65	10,16	5,08	39,7	4,1	13,28	1,70/1,70	16,59	33,3	30	17	44,5	2,56	1,35
12B-2 G1	1	19,05	11,68	12,07	5,72	46	4,6	15,62	1,85/1,85	19,46	39,2	36	16	57,8	3,21	1,79
16B-2 G3	3	25,4	17,02	15,88	8,28	71,6	5,4	25,45	4,15/3,10	31,88	61	49	21,4	106	4,8	4,21

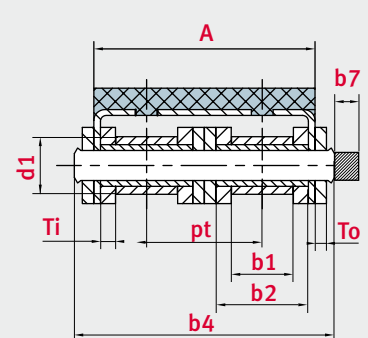
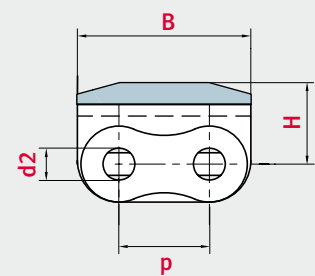
版本 1



版本 2

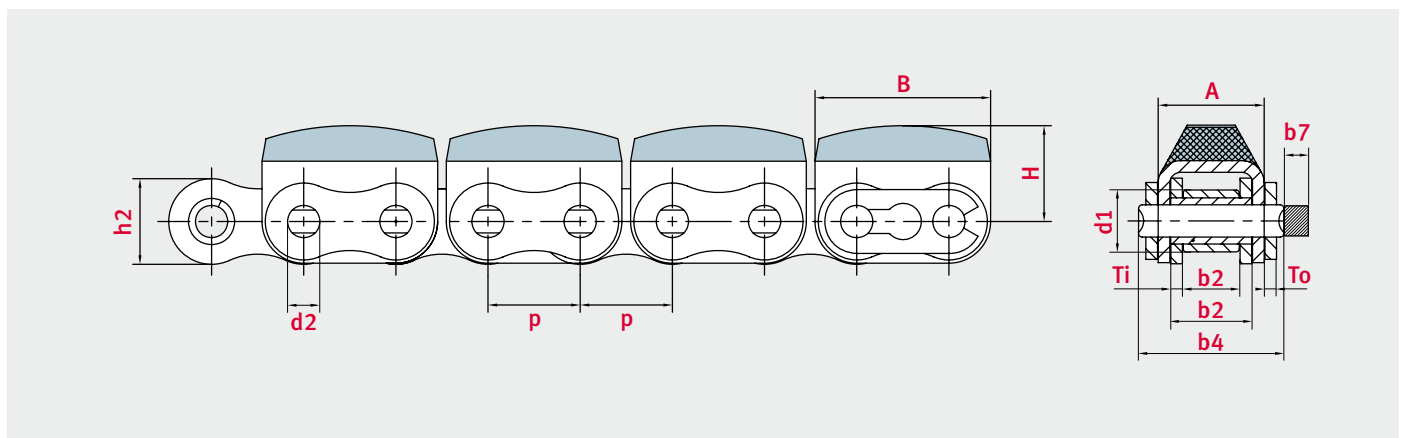


版本 3

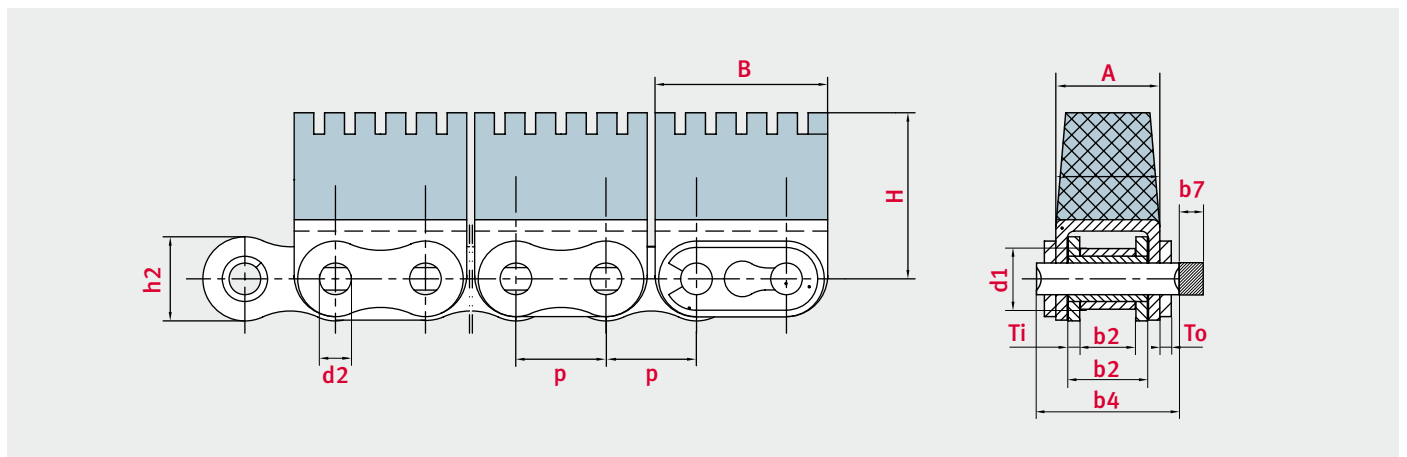


ELITE® 带硫化橡胶滚子链
Roller chains with vulcanised elastomer profiles

链条型号 Chain type	节距 Pitch	内节内宽 Width between inner plates	滚子直径 Roller Ø	销轴直径 Pin Ø	销轴长度 Pin length	接头销轴增加的最大长度 Max. add. length of connecting link	内节外宽 Total width inner link	链片厚度 Plate thickness	内链板高度 Height inner plate	附板尺寸 Attachment dimensions			最小抗拉强度 Min. tensile strength	每米重量 Weight per meter	承压面积 Bearing area
										A	B	H			
08B-1 G6	12,7	7,75	8,51	4,45	20	3	11,3	1,60/1,60	11,81	14,6	24,2	12,3	18	1,25	0,5



链条型号 Chain type	节距 Pitch	内节内宽 Width between inner plates	滚子直径 Roller Ø	销轴直径 Pin Ø	销轴长度 Pin length	接头销轴增加的最大长度 Max. add. length of connecting link	内节外宽 Total width inner link	链片厚度 Plate thickness	内链板高度 Height inner plate	附板尺寸 Attachment dimensions			最小抗拉强度 Min. tensile strength	每米重量 Weight per meter	承压面积 Bearing area
										A	B	H			
08B-1 G9	12,7	7,75	8,51	4,45	20	3	11,3	1,60/1,60	11,81	14,65	24,2	23,3	18	1,3	0,5

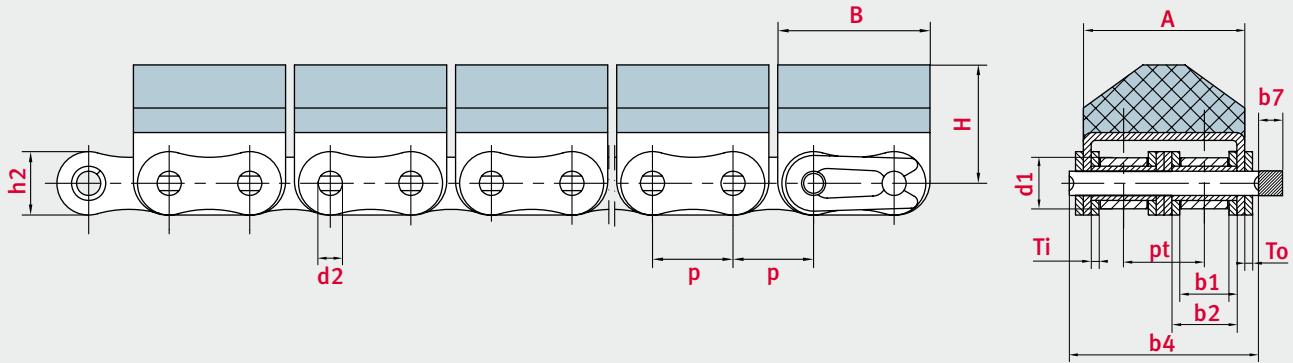




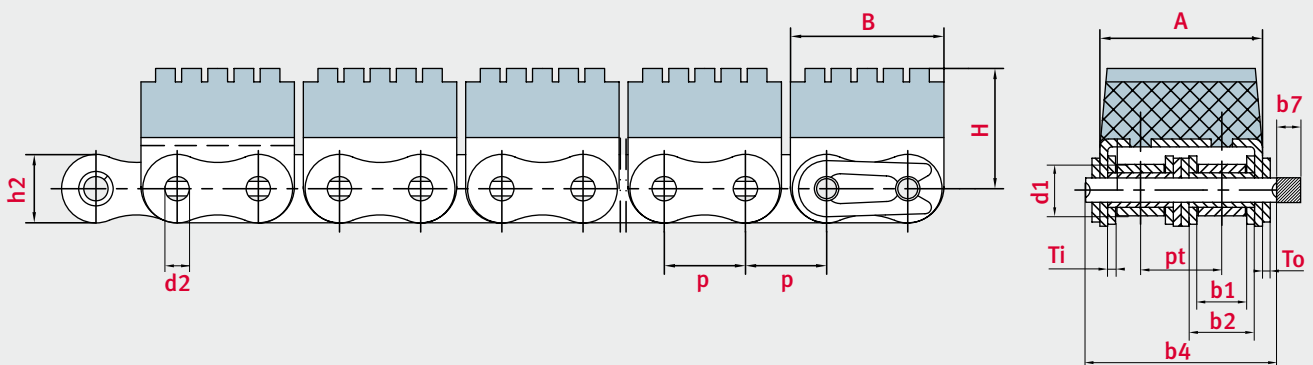
带硫化橡胶滚子链

Roller chains with vulcanised elastomer profiles

链条型号	节距	内节内宽	滚子直径	销轴直径	销轴长度	接头销轴增加的最大长度	内节外宽	链片厚度	内链板高度	排距	附板尺寸			最小抗拉强度	每米重量	承压面积
Chain type	Pitch	Width between inner plates	Roller Ø	Pin Ø	Pin length	Max. add. length of connecting link	Total width inner link	Plate thickness	Height inner plate	Transverse pitch	Attachment dimensions			Min. tensile strength	Weight per meter	Bearing area
	p mm	最小值 b1 mm	最大值 d1 mm	最大值 d2 mm	最大值 b4 mm	最大值 b7 mm	最大值 b2 mm	Ti/To mm	最大值 h2 mm	pt mm	A mm	B mm	H mm	FU kN	q kg/m	f cm ²
12B-G2F5	19,05	11,68	12,07	5,72	46,00	3,00	15,62	1,85/1,85	16,13	19,46	39,10	36,00	28,00	57,8	3,21	1,79



链条型号	节距	内节内宽	滚子直径	销轴直径	销轴长度	接头销轴增加的最大长度	内节外宽	链片厚度	内链板高度	排距	附板尺寸			最小抗拉强度	每米重量	承压面积
Chain type	Pitch	Width between inner plates	Roller Ø	Pin Ø	Pin length	Max. add. length of connecting link	Total width inner link	Plate thickness	Height inner plate	Transverse pitch	Attachment dimensions			Min. tensile strength	Weight per meter	Bearing area
	p mm	最小值 b1 mm	最大值 d1 mm	最大值 d2 mm	最大值 b4 mm	最大值 b7 mm	最大值 b2 mm	Ti/To mm	最大值 h2 mm	pt mm	A mm	B mm	H mm	FU kN	q kg/m	f cm ²
12B-G2F6	19,05	11,68	12,07	5,72	46,00	3,00	15,62	1,85/1,85	16,13	19,46	39,10	37,30	28,20	57,8	3,21	1,79



齿型链
Roller chains with sawtooth plates





齿型链

Roller chains with sawtooth plates

ELITE齿型链极其耐磨，设计采用最优疲劳强度，主要用于木材加工行业，运送原木和锯割木板。

ELITE特色

- 我公司链条以ISO 606标准最低要求为基准。
- 采用的合金钢均经过表面硬化和回火处理。
- 所有链条部件均经过优化热处理，以满足尺寸和应用要求
- 所有滚子链均按照破断强度的40%以上进行预拉伸
- 满足ISO 9001要求高质保标准
- 链板 ① 经过喷丸处理，具备最大疲劳强度
- 无缝、冷挤压、喷丸处理滚子 ②，具有非常规则的壁厚
- ELITE销轴 ③ 光滑平整，表面更坚硬，以提升耐磨特性

行业和应用

- 木材加工行业
- 锯木厂
- 其他

ELITE产品其他优点

- 应客户要求，可提供其它齿型版本
- 应客户要求，可提供可生物降解的润滑剂
- 我们还设计了复杂的集成式整套系统解决方案
- 应客户要求，还可提供适用的链条链轮
- 我们还提供多种附件和链条工具

ELITE roller chains with sawtooth plates are extremely wear-resistant and designed for optimum fatigue strength. They are used mainly in the wood processing industry for transporting raw timber and sawn planks.

ELITE highlights

- Our chains are based on the minimum requirements set out in standard ISO 606.
- The steel alloys used are case-hardened and tempered.
- Heat treatment of all chain parts is optimized to suit size and application
- All roller chains are prestretched to > 40 % of breaking load as standard
- The high quality assurance standard fulfils the requirements of ISO 9001
- Plates ① are shot-blasted for maximum fatigue strength
- Seamless, cold-extruded, shot-blasted rollers ② with extremely regular wall thickness
- ELITE pins ③ are smooth and have an extra hard surface for increased wear resistance

Industries and applications

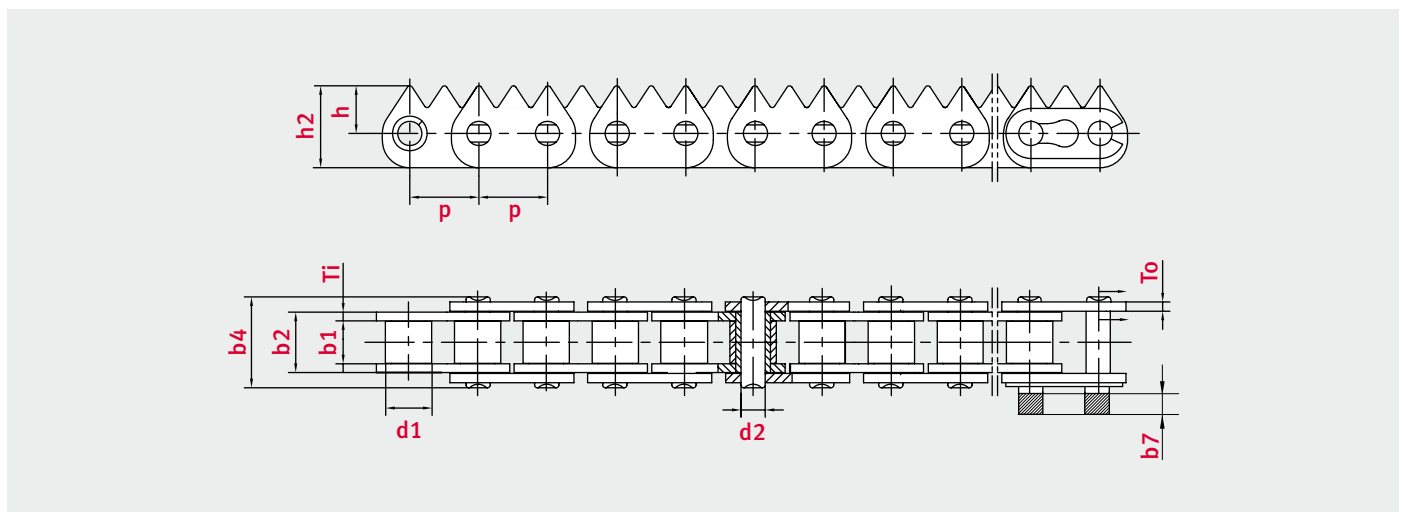
- Wood processing industry
- Sawmills
- ... and much more besides

Additional ELITE benefits

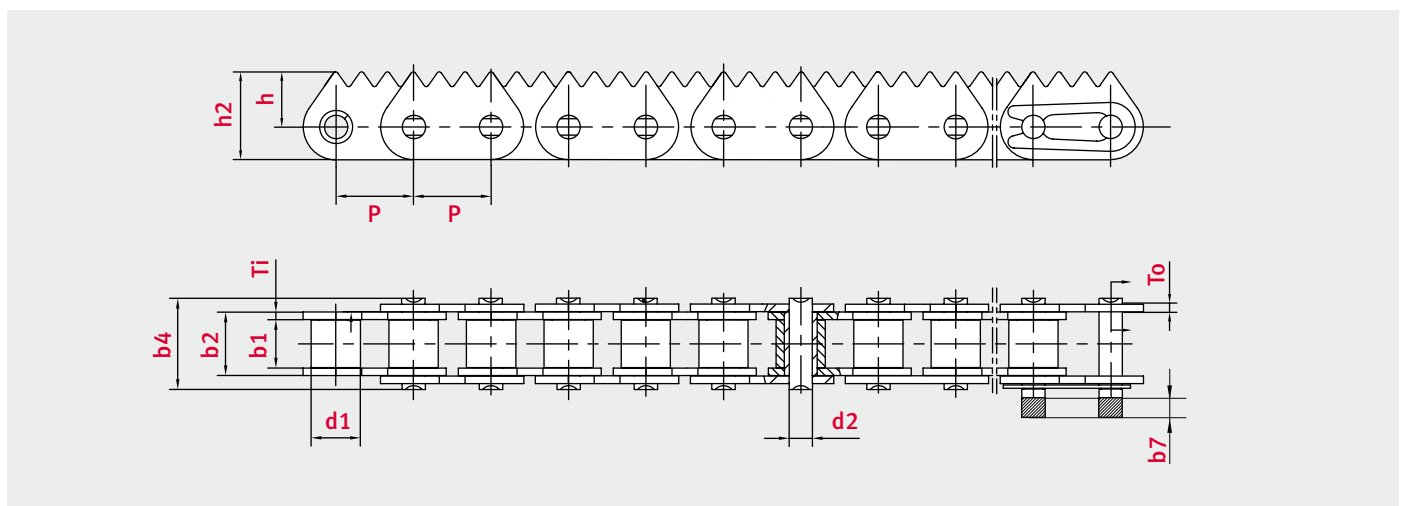
- Other sawtooth forms available on request
- Biodegradable lubricants available on request
- We also design complex solutions for integrated complete systems
- Suitable chain sprockets also available on request
- We also offer accessories and chain tools

ELITE® 齿型链
Roller chains with sawtooth plates

链条型号	节距	内节内宽	滚子直径	销轴直径	销轴长度	接头销轴增加的最大长度	内节外宽	链片厚度	内链板高度	从链条销轴中心到附板顶部的高度	最小抗拉强度	每米重量	承压面积
Chain type	Pitch	Width between inner plates	Roller Ø	Pin Ø	Pin length	Max. add. length of connecting link	Total width inner link	Plate thickness	Height inner plate	Height from middle of chain to top of attachment	Min. tensile strength	Weight per meter	Bearing area
	p mm	最小值 b1 mm	最大值 d1 mm	最大值 d2 mm	最大值 b4 mm	最大值 b7 mm	最大值 b2 mm	Ti/To mm	最大值 h2 mm	h mm	FU kN	q kg/m	f cm ²
08B-1 ZL3	12,7	7,75	8,51	4,45	17	3,9	11,3	1,60/1,60	15,05	8,75	17,8	0,75	0,5



链条型号	节距	内节内宽	滚子直径	销轴直径	销轴长度	接头销轴增加的最大长度	内节外宽	链片厚度	内链板高度	从链条销轴中心到附板顶部的高度	最小抗拉强度	每米重量	承压面积
Chain type	Pitch	Width between inner plates	Roller Ø	Pin Ø	Pin length	Max. add. length of connecting link	Total width inner link	Plate thickness	Height inner plate	Height from middle of chain to top of attachment	Min. tensile strength	Weight per meter	Bearing area
	p mm	最小值 b1 mm	最大值 d1 mm	最大值 d2 mm	最大值 b4 mm	最大值 b7 mm	最大值 b2 mm	Ti/To mm	最大值 h2 mm	h mm	FU kN	q kg/m	f cm ²
12B-1 ZL4	19,05	11,68	12,07	5,72	22,7	4,6	15,62	1,85/1,85	21,5	13,5	28,9	1,2	0,89

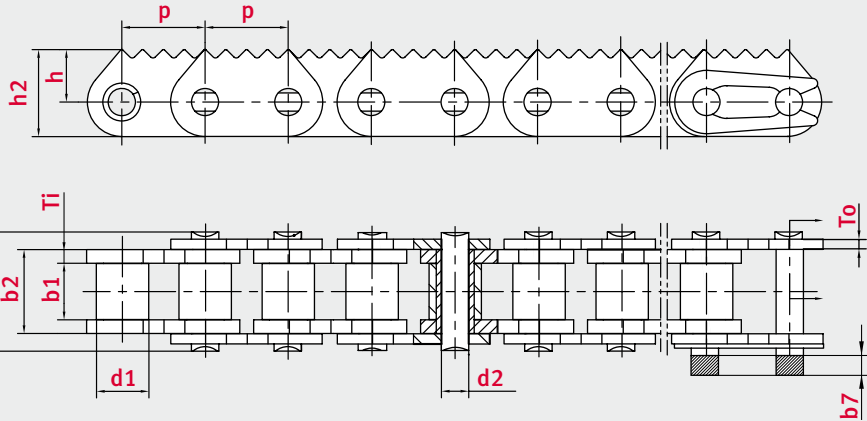




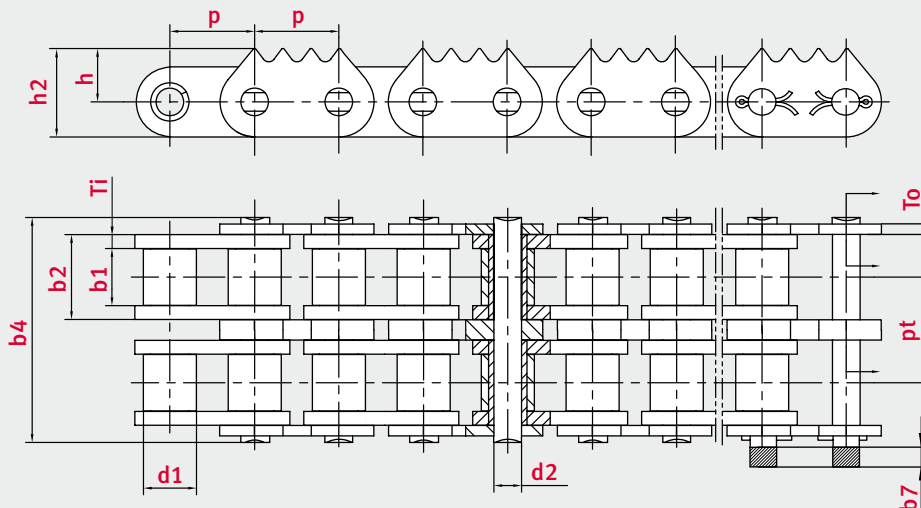
齿型链

Roller chains with sawtooth plates

链条型号	节距	内节内宽	滚子直径	销轴直径	销轴长度	接头销轴增加的最大长度	内节外宽	链片厚度	内链板高度	从链条销轴中心到附板顶部的高度	最小抗拉强度	每米重量	承压面积
Chain type	Pitch	Width between inner plates	Roller \varnothing	Pin \varnothing	Pin length	Max. add. length of connecting link	Total width inner link	Plate thickness	Height inner plate	Height from middle of chain to top of attachment	Min. tensile strength	Weight per meter	Bearing area
	p mm	最小值 b1 mm	最大值 d1 mm	最大值 d2 mm	最大值 b4 mm	最大值 b7 mm	最大值 b2 mm	Ti/To mm	最大值 h2 mm	h mm	FU kN	q kg/m	f cm ²
16B-1 ZL5	25,4	17,02	15,88	8,28	36,1	5,4	25,45	4,15/3,10	26,5	16	60	2,95	2,11
20B-1 ZL5	31,75	19,56	19,05	10,19	43,2	6,1	29,01	4,50/3,50	33	19,8	95	3,9	2,96

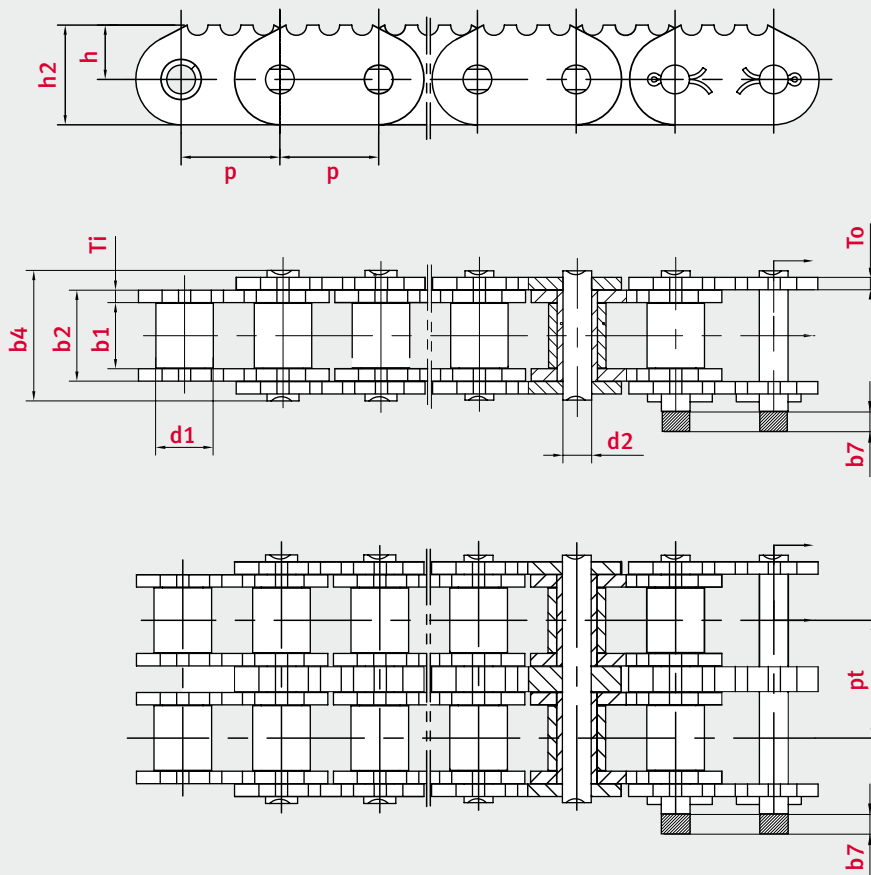


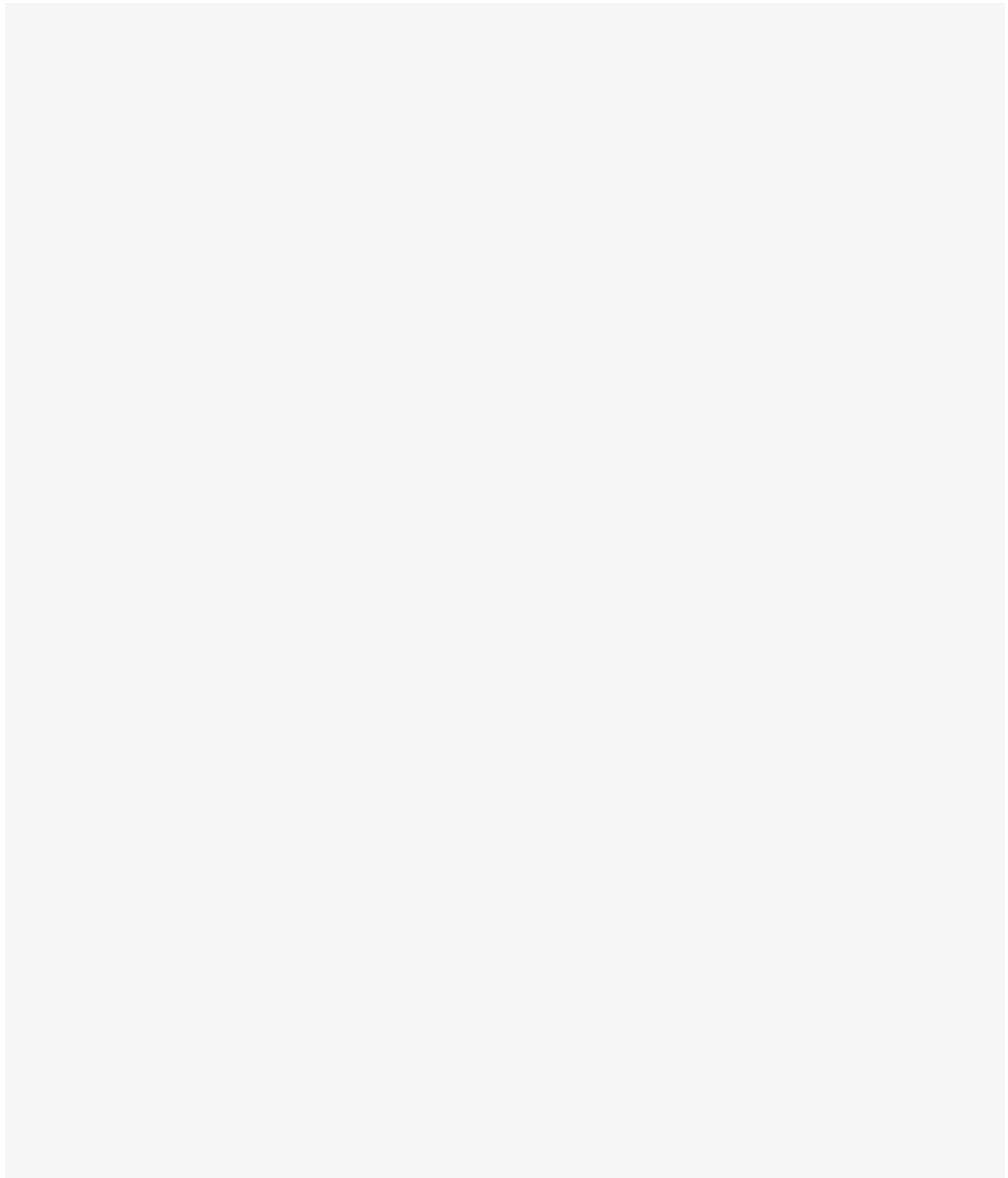
链条型号	节距	内节内宽	滚子直径	销轴直径	销轴长度	接头销轴增加的最大长度	内节外宽	链片厚度	内链板高度	从链条销轴中心到附板顶部的高度	排距	最小抗拉强度	每米重量	承压面积
Chain type	Pitch	Width between inner plates	Roller \varnothing	Pin \varnothing	Pin length	Max. add. length of connecting link	Total width inner link	Plate thickness	Height inner plate	Height from middle of chain to top of attachment	Transverse pitch	Min. tensile strength	Weight per meter	Bearing area
	p mm	最小值 b1 mm	最大值 d1 mm	最大值 d2 mm	最大值 b4 mm	最大值 b7 mm	最大值 b2 mm	Ti/To mm	最大值 h2 mm	h mm	pt mm	FU kN	q kg/m	f cm ²
16B-1 ZL4	25,4	17,02	15,88	8,28	67,5	5,4	25,45	4,15/3,10	26,5	16	-	106	2,95	4,21
16B-2 ZL4	25,4	17,02	15,88	8,28	67,5	5,4	25,45	4,15/3,10	26,5	16	31,88	106	5,9	4,21



ELITE® 齿型链
Roller chains with sawtooth plates

链条型号	节距	内节内宽	滚子直径	销轴直径	销轴长度	接头销轴增加的最大长度	内节外宽	链片厚度	内链板高度	从链条销轴中心到附板顶部的高度	排距	最小抗拉强度	每米重量	承压面积
Chain type	Pitch	Width between inner plates	Roller Ø	Pin Ø	Pin length	Max. add. length of connecting link	Total width inner link	Plate thickness	Height inner plate	Height from middle of chain to top of attachment	Transverse pitch	Min. tensile strength	Weight per meter	Bearing area
	p mm	最小值 b1 mm	最大值 d1 mm	最大值 d2 mm	最大值 b4 mm	最大值 b7 mm	最大值 b2 mm	Ti/To mm	最大值 h2 mm	h mm	pt mm	FU kN	q kg/m	f cm ²
ANSI - 单排														
120-1 ZL4S	38,1	25,22	22,23	11,11	50,8	6,6	35,45	4,80/4,80	38,5	21	-	125	5,9	3,94
ANSI - 双排														
120-2 ZL4S	38,1	25,22	22,23	11,11	96,3	6,6	35,45	4,80/4,80	38,5	21	45,44	250	11,9	7,88

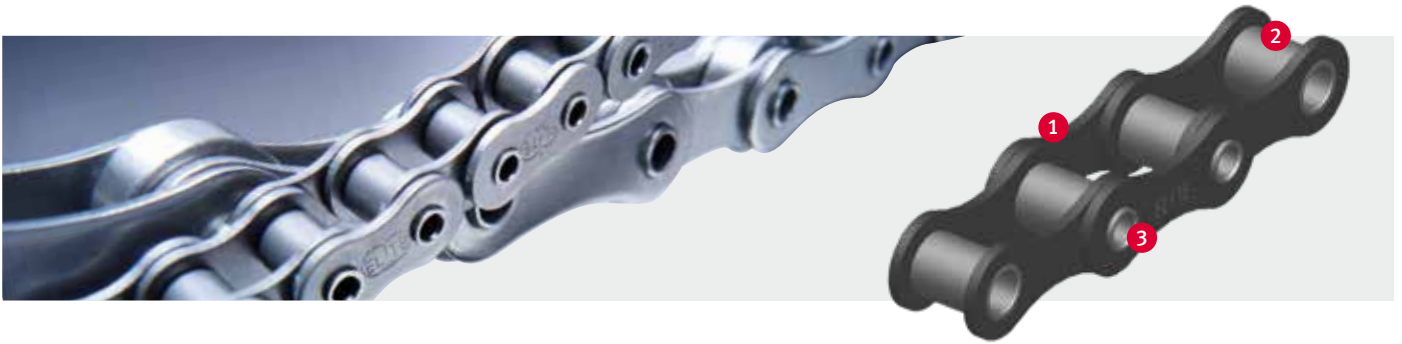






空心销轴链
Hollow pin chains





空心销轴链

Hollow pin chains

很多 ELITE 空心销轴链按照 ISO 606 标准尺寸制造。考虑到客户要求多种多样，ELITE 产品范围调整后包括该类型链条多种版本：

- 空心销轴滚子链
- 空心销轴套筒链
- 无套筒空心销轴滚子链
- 空心销轴链条 – HB50.8系列 **新**

ELITE特色

- 以按照 ISO 606 标准制造的相同链条为基准或作为特殊链条供应
- 所有ELITE链条链板 **1** 具有锥形的喷丸链板，生产制造工艺可选精冲和挤孔等，由此保证非常高的接触率。
- 实心表面硬化滚子 **2**，耐磨性能良好
- 一般来说，采用无缝精密钢管制造空心销轴 **3**，改善精密程度和耐磨性能
- 所述链条很多在供应时均可要求进行配对，保证精准的平行运行——这是这些链条必须满足的一项主要要求

行业和应用

- 输送技术
- 食品工业
- 烘焙行业
- 芯片输送技术
- 线材技术
- 其他

ELITE产品其他优点

- 也可提供防腐蚀链条版本（镀锌、镀镍和不锈钢）
- 应客户要求，可提供采用放大版套筒内径或输送滚子的其它变更版本
- 还可作为双节距空心销轴链或空心销轴套筒输送链供应。请参考章节“双节距滚子链”了解相关信息

Many ELITE hollow pin chains are constructed to the dimensions of standard ISO 606. Since customer requirements are so diverse, the ELITE product range has also been adapted to include various versions of this chain type:

- Hollow pin roller chains
- Hollow pin bush chains
- Bushless hollow pin roller chains
- Hollow pin chains – Series HB50.8 **NEW**

ELITE highlights

- Available based on the same chains manufactured to ISO 606 or as special chains
- All ELITE chain plates **1** are manufactured using processes such as fine blanking and ball-drifting, so a particularly high contact ratio is guaranteed.
- Solid, case hardened rollers **2** with good wear resistance
- In general, hollow pins **3** made of seamless precision steel tube for improved precision and wear resistance
- Many of these chains are supplied pair-matched to ensure exact parallel running, one of the main requirements that these chains must fulfil.

Industries and applications

- Conveyor technology
- Food industry
- Bakery industry
- Chip conveyor technology
- Wire technology
- ... and much more besides

Additional ELITE benefits

- Corrosion-resistant chain versions available (zinc-plated, nickel-plated, stainless steel)
- Additional variants with enlarged bush inner diameter or transport rollers available on request
- Can also be supplied as double pitch hollow pin chains or hollow pin bush conveyor chain. Please refer to chapter “Double pitch roller chains”

产品描述

空心销轴滚子链

空心销轴滚子链链节设计类似于ISO滚子链，也包含销轴、套筒和小滚子，大多数此类空心销轴链条也适合与相应的标准规格链条相同的链轮。

空心销轴套筒输送链

处于特殊技术原因，小滚子不会安装到空心销轴套筒链上，因为这种设计上的改进支持更大的空心销轴内径，由此可以安装更粗的轮轴。这种变更通常会牺牲一部分断裂强度，增加链轮磨损几率。

无套筒空心销轴滚子链

无套筒空心销轴滚子链采用与 Galle 链条相同的原理进行制造，即：链节轴承位于销轴和外链板之间，因此承载面积非常小。这样可以实现较高的断裂强度，同时扩大空心销轴内径。

匹配配置

可支持各类不同匹配选配：

- 链条间以小于 0.05% 的相对长度差异进行配对匹配
- 绝对的链条配对将每根链条挂上链条长度标签并以配对状态交付
- 按不同偏差范围区域使用颜色标示进行交付

Product descriptions

Hollow pin roller chains

Hollow pin roller chains feature links of similar design to those in ISO roller chains; as they also consist of pin, bush and small roller, most hollow pin chains of this type also fit the same sprockets as the corresponding standard specification chains.

Hollow pin bush conveyor chains

There is a specific technical reason why small rollers are not fitted to hollow pin bush chains: this design modification permits the inner diameter of hollow pins to be made larger and thicker axles can be fitted as a consequence. This change is often made at the expense of lower breaking strength and increased sprocket wear.

Hollow pin roller chains without bushes

Hollow pin roller chains without bushes are constructed on the same principle as Galle chains i.e. the link bearing is situated between pin and outer plate, resulting in an extremely small bearing area. This offers the advantage of high breaking strength and hollow pins with large inner diameters.

Match configurations

The following match configurations are possible:

- Pair-matching with $\leq 0.05\%$ relative difference in length between the chains
- Absolute pair-matching with declaration of chain length and delivery in matched pairs
- Delivered colour-coded in different tolerance zones





空心销轴滚子链

Hollow pin roller chains

链条型号 Chain type	节距 Pitch	内节内宽 Width between inner plates	滚子直径 Roller Ø	销轴直径 Pin Ø	空心销轴内径 Hollow pin inner Ø	销轴长度 Pin length	接头销轴增加的最大长度 Max. add. length of connecting link	内节外宽 Total width inner link	链片厚度 Plate thickness	内链板高度 Height inner plate	最小抗拉强度 Min. tensile strength	每米重量 Weight per meter	承压面积 Bearing area
	p mm	最小值 b1 mm	最大值 d1 mm	最大值 d2 mm	d6 min. mm	最大值 b4 mm	最大值 b7 mm	最大值 b2 mm	Ti/To mm	最大值 h2 mm	FU kN	q kg/m	f cm ²

类型 A

10HB4	15,875	9,65	10,16	5,94	4,1	19,3	1,6	13,2	1,7	14,7	17	0,86	0,78
12HB4	19,05	11,68	12,07	6,5	4	22,5	1,4	15,62	1,9	16	23,6	1,09	1,02
16HB7	25,4	12,7	15,88	9,53	7,05	30,8	1,8	21,17	4,15/3,10	23	40	2,28	2,02
60HB5	19,05	12,7	11,91	7	5,1	26,5	1,5	17,75	2,42	18	20	1,35	1,24

类型 B

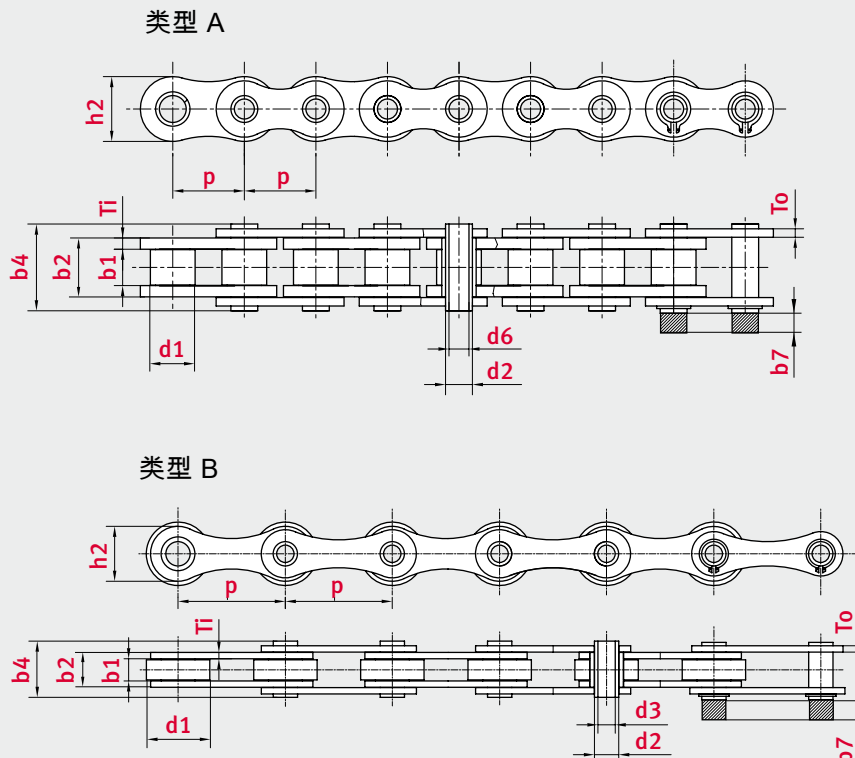
HBK 38.8.5	38,1	8	20	8	5,1	19,5	1,5	12,3	2,03	17	28	0,98	0,98
HBK 38.18.5	38,1	18	20	10,45	5,1	39	1,7	26,5	4	22	60	2,59	2,77
HBK 63.10.8	63	10	30	11,7	8,1	26,5	1,7	16,5	3	26	50	2,07	1,93

形式A = 空心销轴滚子链

Form A = Hollow pin roller chains

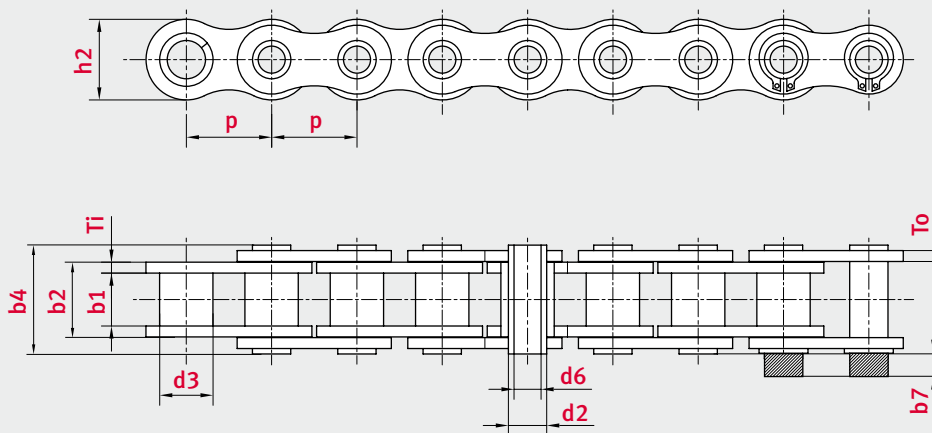
形式B = 带空心销轴的双节距输送链

Form B = Double pitch transmission chains with hollow pins



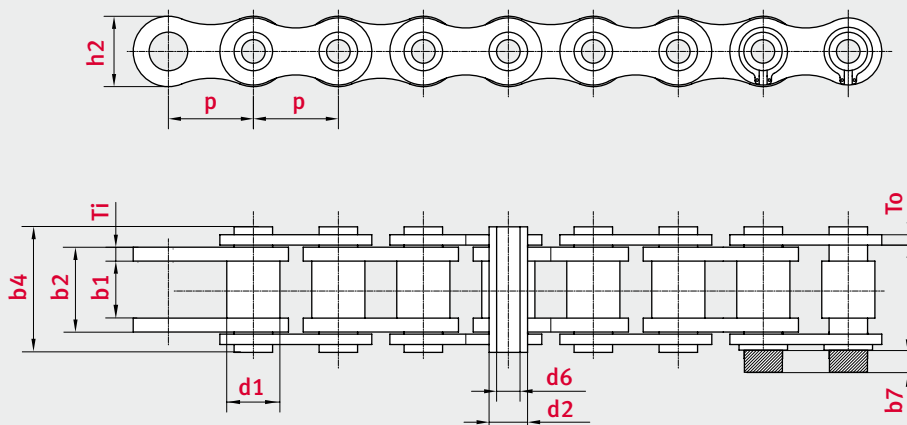
ELITE® 空心销轴套筒链
Hollow pin bushing chains

链条型号	节距	内节内宽	套筒外径 \varnothing	销轴直径	空心销轴内径 \varnothing	销轴长度	接头销轴增加的最大长度	内节外宽	链片厚度	内链板高度	最小抗拉强度	每米重量	承压面积
Chain type	Pitch	Width between inner plates	Bush \varnothing	Pin \varnothing	Hollow pin inner \varnothing	Pin length	Max. add. length of connecting link	Total width inner link	Plate thickness	Height inner plate	Min. tensile strength	Weight per meter	Bearing area
	p mm	最小值 b1 mm	最大值 d3 mm	最大值 d2 mm	d6 min. mm	最大值 b4 mm	最大值 b7 mm	最大值 b2 mm	Ti/To mm	最大值 h2 mm	FU kN	q kg/m	f cm ²
BS - 单排													
08BHP4,5	12,7	7,75	8,51	6,37	4,5	16,3	1,4	11,3	1,60/1,30	11,8	11,1	0,56	0,72
ANSI - 单排													
40HP4	12,7	7,85	7,92	5,63	4	16,5	1,4	11,18	1,5	12	11	0,54	0,63
50HP5	15,875	9,4	10,16	7,03	5,1	20,55	1,7	13,84	2,03	15	20	0,95	0,97
60HP6	19,05	12,57	11,91	8,3	6	25,8	1,6	17,75	2,42	18	24	1,29	1,47
60HP5	19,05	12,7	11,91	8,33	5	25,8	1,4	17,75	2,4	18,08	28	1,37	1,48
80HP8	25,4	15,75	15,88	11,4	8,4	32,6	1,6	22,6	3,2	24	45	2,23	2,58



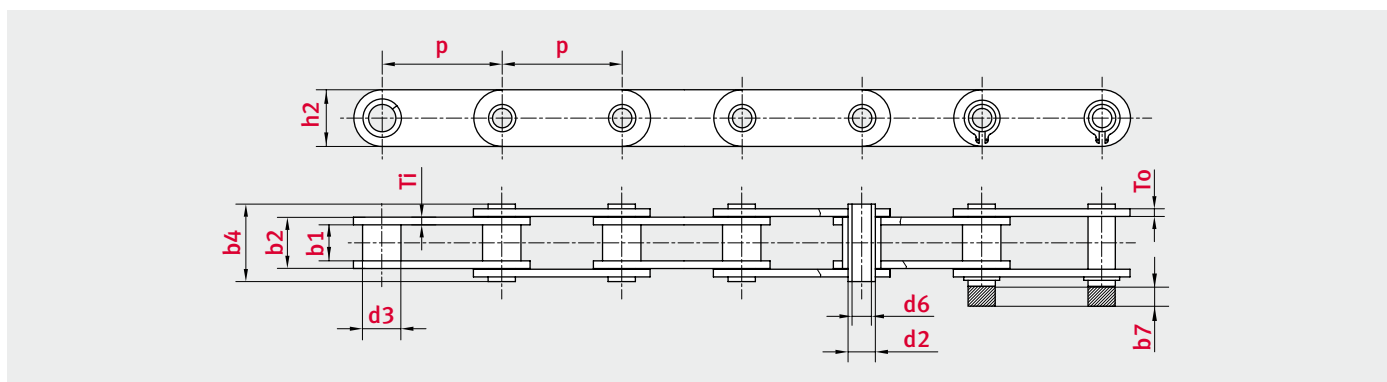
ELITE® 无套筒空心销轴滚子链
Hollow pin roller chains without bushes

链条型号 Chain type	节距 Pitch	内节内宽 Width between inner plates	滚子直径 Roller Ø	销轴直径 Pin Ø	空心销轴内径Ø Hollow pin inner Ø	销轴长度 Pin length	接头销轴增加的最大长度 Max. add. length of connecting link	内节外宽 Total width inner link	链片厚度 Plate thickness	内链板高度 Height inner plate	最小抗拉强度 Min. tensile strength	每米重量 Weight per meter	承压面积 Bearing area
	p mm	最小值 b1 mm	最大值 d1 mm	最大值 d2 mm	d6 min. mm	最大值 b4 mm	最大值 b7 mm	最大值 b2 mm	Ti/To mm	最大值 h2 mm	FU kN	q kg/m	f cm ²
BS - 单排													
08BHPR4	12,7	9,5	8,51	6,65	4	19	1,5	13,8	1,7	11,8	14	0,55	0,85
10BHPR5	15,875	9,65	10,16	7,03	5	19,5	1,7	13,2	1,7	14,7	15	0,74	0,97
12BHPR5	19,05	11,7	12,07	8,1	5	22,5	1,7	15,62	1,85	15,8	25	1,09	1,27
16BHPR8	25,4	17,02	15,88	11,5	8,1	36,5	1,6	25,45	4,15/3,10	21,08	45	2,21	2,93
ANSI - 单排													
40HPR4	12,7	7,85	7,92	5,64	4	16,6	1,5	11,18	1,5	11,9	11	0,52	0,8
50HPR5	15,875	13,6	10,16	7,1	5,1	20,7	1,7	17,85	2,03	14,4	18	0,92	1,27

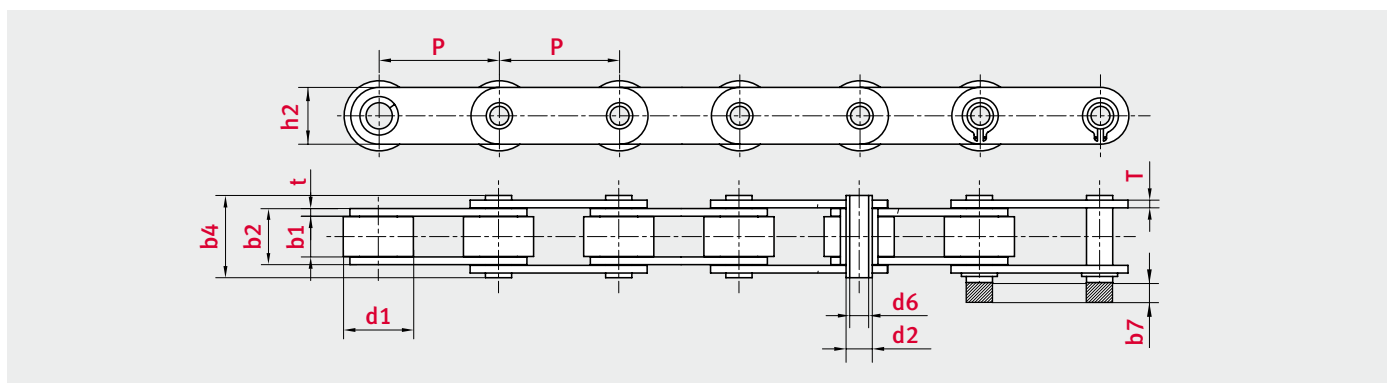


ELITE® 双节距空心销轴链条
Double pitch hollow pin chains

链条型号	节距	内节内宽	套筒外径 \varnothing	销轴直径	空心销轴内径 \varnothing	销轴长度	接头销轴增加的最大长度	内节外宽	链片厚度	内链板高度	最小抗拉强度	每米重量	承压面积
Chain type	Pitch	Width between inner plates	Bush \varnothing	Pin \varnothing	Hollow pin inner \varnothing	Pin length	Max. add. length of connecting link	Total width inner link	Plate thickness	Height inner plate	Min. tensile strength	Weight per meter	Bearing area
	p mm	最小值 $b1$ mm	最大值 $d3$ mm	最大值 $d2$ mm	$d6$ min. mm	最大值 $b4$ mm	最大值 $b7$ mm	最大值 $b2$ mm	Ti/To mm	最大值 $h2$ mm	FU kN	q kg/m	f cm ²
C2040HP	25,4	7,85	7,95	5,63	4,0	17,8	3,9	11,15	1,5	12,0	11,0	0,46	0,63
C2050HP	31,75	9,4	10,16	7,22	5,12	21,8	4,1	13,8	2,03	15,0	20,4	0,76	1,0
C2060HP	38,1	12,57	11,91	8,31	6,0	26,9	4,6	17,85	2,42	18,0	24,0	1,02	1,48
C2080HP	50,8	15,75	15,88	11,4	8,05	33,8	5,4	22,5	3,25	24,1	50,0	1,81	2,57



链条型号	节距	内节内宽	滚子直径	销轴直径	空心销轴内径 \varnothing	销轴长度	接头销轴增加的最大长度	内节外宽	链片厚度	内链板高度	最小抗拉强度	每米重量	承压面积
Chain type	Pitch	Width between inner plates	Roller \varnothing	Pin \varnothing	Hollow pin inner \varnothing	Pin length	Max. add. length of connecting link	Total width inner link	Plate thickness	Height inner plate	Min. tensile strength	Weight per meter	Bearing area
	p mm	最小值 $b1$ mm	最大值 $d1$ mm	最大值 $d2$ mm	$d6$ min. mm	最大值 $b4$ mm	最大值 $b7$ mm	最大值 $b2$ mm	Ti/To mm	最大值 $h2$ mm	FU kN	q kg/m	f cm ²
C2042HP	25,4	7,85	15,88	5,63	4,0	16,5	1,5	11,18	1,5	12,0	11,0	0,78	0,63
C2052HP	31,75	9,53	19,05	7,24	5,12	20,6	1,9	13,8	2,03	15,08	20,4	1,25	1,0
C2062HP	38,1	12,7	22,23	8,3	6,0	25,8	1,6	17,75	2,42	17,0	24,0	1,72	1,47
C2082HP	50,8	15,75	28,58	11,4	8,05	32,4	1,8	22,65	3,25	23,2	50,0	2,82	2,58
C2042H-HP	25,4	7,85	15,88	5,63	4,0	18,8	1,6	12,2	2,03	12,0	12,6	0,95	0,69
C2052H-HP	31,75	9,53	19,05	7,24	5,12	22,1	1,8	14,87	2,42	15,08	20,4	1,44	1,08
C2062H-HP	38,1	12,57	22,23	8,3	6,0	29,2	1,5	19,7	3,25	18,0	24,0	1,99	1,64
C2082H-HP	50,8	15,75	28,58	11,4	8,05	35,7	1,8	24,28	4,0	23,2	50,0	3,34	2,77





塑料滑动轴承
Plastic slide bearing

ELITE® 空心销轴链条 – HB50.8系列 Hollow pin chains – Series HB50.8

HB50.8系列的空心销轴链用于许多往复式输送应用，尤其是在烘焙中。

链轮齿磨损引起油溅和/或锌磨损，继而造成输送系统的严重污染，这对于设备供应商和用户而言是经常发生的问题。

现在，伊维氏可以对现有的空心销轴链进行进一步开发，其特点是使用寿命更长，尤其是更加耐磨。

新开发的HB50.8 ZPKDD版本优化了塑料滑动轴承，耐磨性更好。此外，安装在内链板和外链板之间的垫圈可防止不必要的链齿磨损。

Hollow pin chains from Series HB50.8 are used in many **shuttle conveyor applications**, especially in **bakeries**.

A frequently recurring problem for plant suppliers and users alike are oil splashes and/or zinc abrasion resulting from sprocket tooth wear, which in turn cause serious contamination of the conveyor system.

iwis can now offer a further development of the existing hollow pin chains characterised by its longer service life and, above all, its better abrasion resistance.

The better abrasion resistance of the newly developed **HB50.8 ZPKDD version** is achieved primarily through its optimised plastic slide bearing. In addition, thrust washers mounted between the inner and outer plates prevent undesirable tooth abrasion.

ELITE特色

- 可现货供应许多版本
- 带无缝套筒和空心销轴的版本
- 可提供碳钢版本、镀锌版本和不锈钢版本
- 可按需提供配对的链条，以确保理想的同步运行
- 耐磨POM制成的塑料滚子
- 按需提供蓝色塑料滚子
- 可按需提供含蜡润滑剂 **iwidur®** 的链条

ELITE Highlights

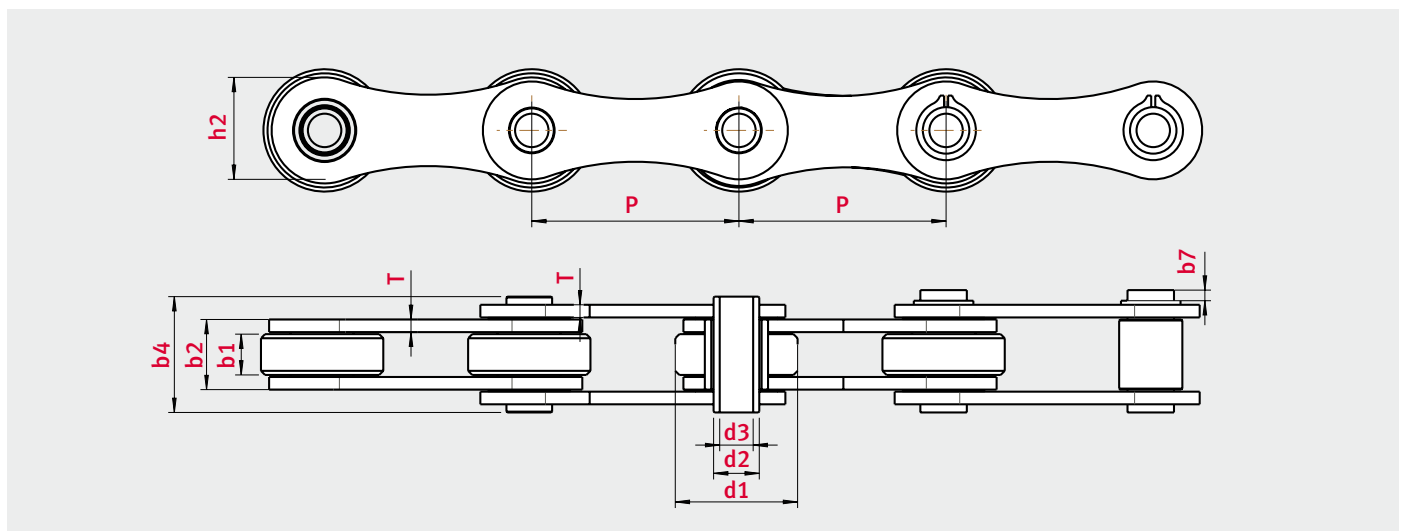
- Many versions available from stock
- Versions with seamless bushes and hollow pins
- Available in steel, zinc-plated version and stainless steel
- On request, pair-matched chains are supplied to guarantee ideal parallel running
- Plastic rollers made of wear-resistant POM
- Blue-coloured plastic rollers available on request
- Chains with wax lubricant **iwidur®** available on request

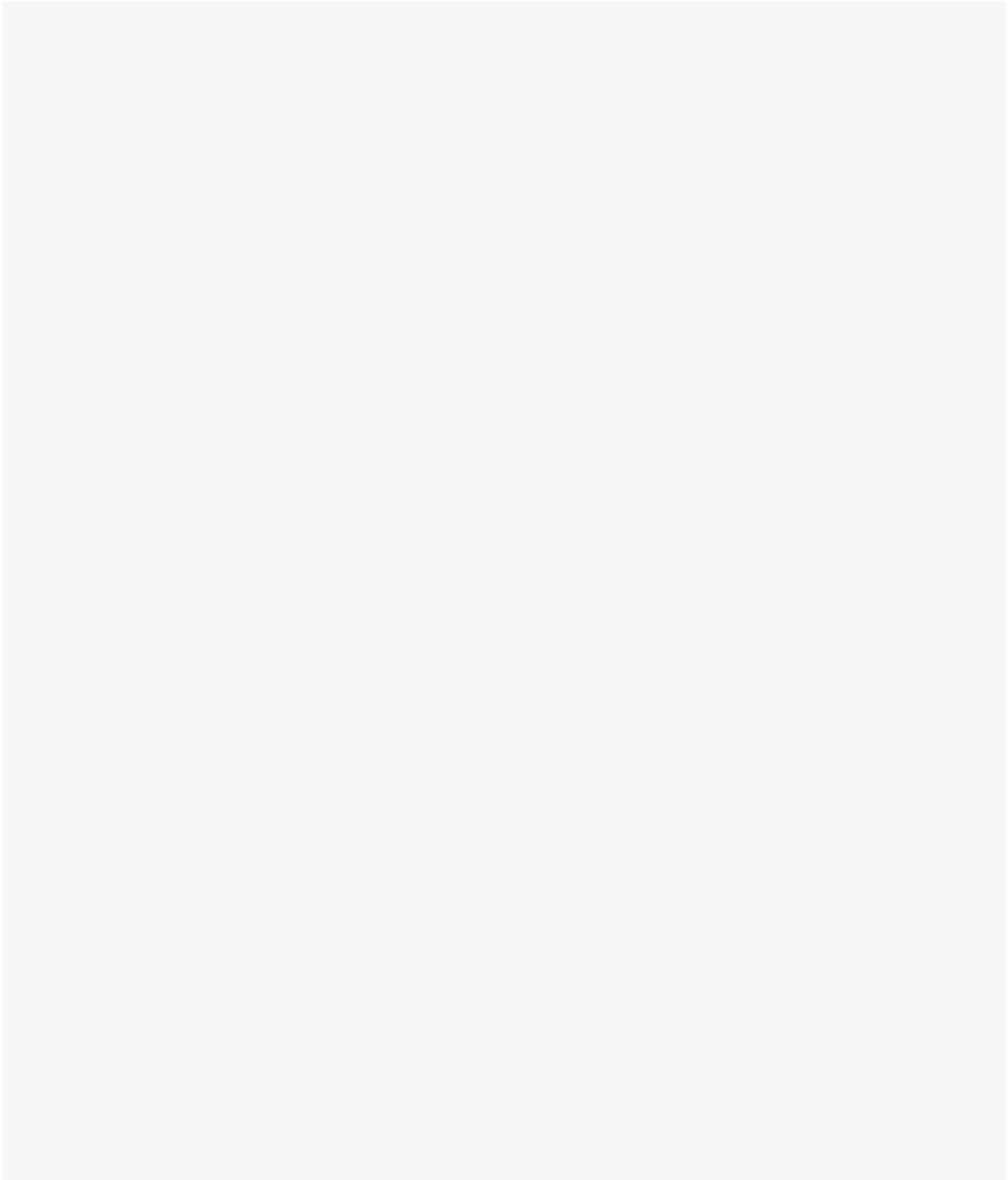


ELITE® 空心销轴链条 – HB50.8系列
Hollow pin chains – Series HB50.8

链条型号 Chain type	节距 Pitch	内节内宽 Width between inner plates	滚子直径 Roller diameter	空心销轴外径 Pin diameter	空心销轴内径Ø Hollow pin inner diameter	销轴长度 Pin length	最大接销长度 Max. pin length of connecting link	链片厚度 Plate thickness	内链板高度 Height inner plate	最小抗拉强度 Min. tensile strength	重量 Weight
	p mm	最小值 b1 mm	最大值 d1 mm	d2 mm	d3 min. mm	最大值 b4 mm	b4 + b7 mm	T mm	最大值 h2 mm	FU kN	kg/m
HB50,8	50,8	10,5	30	11,4	8,2	27,4	28,6	3,1	26	55	2,15
HB50,8 ZP	50,8	10,5	30	11,4	8,2	27,4	28,6	3,1	26	50	2,15
HB50,8 ZPK	50,8	10,5	30	11,4	8,2	27,4	28,6	3,1	26	50	1,55
新 NEW HB50,8 ZPKD	50,8	10,5	30	11,2	8,2	28,2	29,6	3,1	26	42	1,55
新 NEW HB50,8 ZPKDD	50,8	10,5	30	11,2	8,2	28,5	29,6	3,1	26	42	1,6
HB50,8 CF	50,8	10,5	30	11,4	8,2	27,4	28,6	3,1	26	35	2,15
HB50,8 CFK	50,8	10,5	30	11,4	8,2	27,4	28,6	3,1	26	35	1,55
HB50,0	50,0	10,5	30	11,4	8,2	27,4	28,6	3,1	26	55	2,2
HB50,0 ZP	50,0	10,5	30	11,4	8,2	27,4	28,6	3,1	26	50	2,2

类型 Type	链板 Plates	滚子 Rollers	套筒 Bushes	销轴 Pins	特点 Special features
HB50,8	经过热处理 Heat-treated	经过表面硬化处理 Case-hardened	经过表面硬化处理 Case-hardened	经过表面硬化处理 Case-hardened	
HB50,8 ZP	经过热处理, 镀锌 Heat-treated, zinc-plated	经过表面硬化, 镀锌 Case-hardened, zinc-plated	经过表面硬化, 镀锌 Case-hardened, zinc-plated	经过表面硬化, 镀锌 Case-hardened, zinc-plated	
HB50,8 ZPK	经过热处理, 镀锌 Heat-treated, zinc-plated	PA6/POM	经过表面硬化, 镀锌 Case-hardened, zinc-plated	经过表面硬化, 镀锌 Case-hardened, zinc-plated	
新 NEW HB50,8 ZPKD	经过热处理, 镀锌 Heat-treated, zinc-plated	PA6/POM	塑料滑动轴承 Plastic slide bearing	经过表面硬化, 镀锌 Case-hardened, zinc-plated	
新 NEW HB50,8 ZPKDD	经过热处理, 镀锌 Heat-treated, zinc-plated	PA6/POM	塑料滑动轴承 Plastic slide bearing	经过表面硬化, 镀锌 Case-hardened, zinc-plated	带止推垫圈 with thrust washer
HB50,8 CF	不锈钢 Stainless steel	不锈钢 Stainless steel	不锈钢 Stainless steel	不锈钢 Stainless steel	
HB50,8 CFK	不锈钢 Stainless steel	PA6/POM	不锈钢 Stainless steel	不锈钢 Stainless steel	
HB50,0	经过热处理 Heat-treated	经过表面硬化处理 Case-hardened	经过表面硬化处理 Case-hardened	经过表面硬化处理 Case-hardened	
HB50,0 ZP	经过热处理, 镀锌 Heat-treated, zinc-plated	经过表面硬化, 镀锌 Case-hardened, zinc-plated	经过表面硬化, 镀锌 Case-hardened, zinc-plated	经过表面硬化, 镀锌 Case-hardened, zinc-plated	







倍速链
Accumulation chains





倍速链 - 创新性解决方案，顶级品质

Accumulation chains – innovative solutions, premium quality

伊维氏提供一系列质量顶尖的倍速链。倍速链用于在间歇运行的线体上持续运转，输送物品。一方面链条的外部滚子与链轮齿啮合，传递功率；另一方面，外部滚子在导轨型材内支撑链条。

ELITE 特色

- 为延长使用寿命并保证顺畅运行，ELITE 倍速链使用一种特殊的高粘稠度、高附着力链条润滑油处理完毕后方运出厂。特殊的应用工艺确保链条的外部仅有一层薄的油膜。
- ELITE 链条链板 ① 几何性能优化，均经过热处理，精密制造。
- ELITE 销轴 ② 光滑平整，表面更坚硬，以提升耐磨特性。
- 硬化钢质或塑料输送滚子 ③ 供选配。
- 塑料输送滚子通常采用聚酰胺树脂制造。
- 倍速链条 - 因为输送滚子在链条导轨上转动，所以是传递速度的两倍。
- 也可提供不锈钢版本

行业和应用

- 进料和自动化技术
- 仓储
- 传送带和物流技术
- 医疗设备
- 电子工业和电路板制造
- 其他

产品范围

- 标准倍速链
- 带护指的倍速链
- 三排式倍速链 **NEW**
- 倍速链

ELITE 产品其他优点

- 我们还设计了复杂的集成式整套系统解决方案
- 应客户要求，还可提供适用的链条链轮
- 我们还提供多种附件和链条工具

iwis supplies a wide range of top-quality accumulation chains. Accumulation chains are used for conveying goods on lines that stop and start intermittently while the chain continues to run. The external rollers on one side of the chain mesh with the sprocket teeth to transmit drive power; on the other side they support the chain in the guide profile.

ELITE highlights

- In order to prolong their service life and guarantee smooth running, ELITE accumulation chains are treated with a special high-viscosity, high-adhesion chain oil before leaving our factory. The special application process ensures that only a thin film of oil remains on the outside of the chain.
- ELITE chain plates ① with optimum geometry are precision-formed and heat-treated.
- ELITE pins ② are smooth and have an extra hard surface for increased wear resistance
- Choice of hardened steel or plastic transport rollers ③
- Plastic transport rollers are generally usually using the material Vestamid.
- Double Speed chains – twice the conveying speed due to transport rollers turning on chain guides
- Also available in stainless steel

Industries and applications

- Feeding and automation technology
- Warehousing
- Conveyor and material flow technology
- Medical equipment
- Electronics industry and circuit board manufacture
- ... and much more besides

Product range

- Standard accumulation chains
- Accumulation chains with finger protection
- Accumulation chains triplex version **NEW**
- Double Speed chains

Additional ELITE benefits

- We also design complex solutions for integrated complete systems
- Suitable chain sprockets also available on request
- We also offer optional accessories and chain tools



ELITE® 带护指的倍速链

Accumulation chains with finger and parts protection

新型倍速链输送滚子之间安装有100%保护的盖板，覆盖住内链节区域的空隙。这一特征提供100%保护，防止颗粒物落入缝隙内，避免导致倍速滚子卡涩。同时，这一特征还可防止手指不小心卡入所述空隙和缝隙。

优点：

- 100% 覆盖保护，不会影响通过传动装置的链条的铰合。
- 独特的专利设计，保证不会有夹片脱落后落入系统
- 夹片稳定
- 通过传动装置的链条不会卡涩
- 夹片不会造成倍速滚子磨损
- 通过传动装置铰合后自动调节夹片
- 运输的产品或托盘不会受到磨损或擦伤
- 护指网防止异物落入滚子中间造成大面积磨损。
- 导电塑料部件

With the new accumulation chain version, fitted with the 100% protective tab between the accumulation rollers, covering the gap in the inner link area. This feature offers 100% protection against particles falling through the gap, leading to jamming of the accumulation rollers; it also prevents the risk of fingers accidentally getting „caught“ in that area.

Advantages

- 100% cover protection without effecting the articulation of the chain through the drive
- No possibility of clips coming loose and falling into the system, due to the unique patented design
- Stable execution of the clip
- No jamming of the chain through the drive
- The clip causes no accumulation roller wear
- Self-adjusting clip after articulation through the drive
- No abrasion or wear caused to the product or pallet transported
- Protective grid prevents foreign objects from falling between the rollers and causing large-area wear.
- Electrically conductive plastic components

ELITE® 倍速链

Double Speed chains

2.5倍速倍速链工作原理不同于标准倍速链，不是通过空载运输滚子实现倍速，而是刻意设计运输滚子在导轨上转动。滚子转动使得传送速度翻倍，这也意味着物品和材料移动速度加快，更能满足现代工业制造领域竞争需求。

Double Speed chains work on a different principle from accumulation chains; rather than accumulation resulting from an idling transport roller, the transport roller is deliberately turned on the guide. Turning the roller doubles the conveying speed, which means faster movement of goods and materials in the competitive world of modern industrial manufacturing.



倍速链

Accumulation chains

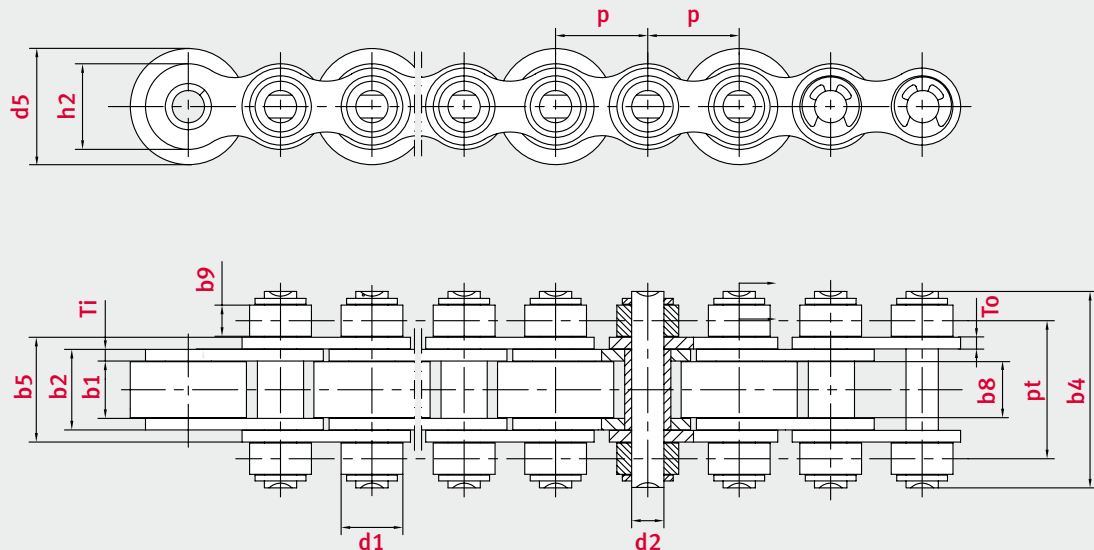
链条型号	节距	内节内宽	销轴直径	销轴长度	内节外宽	外链节外宽	滚子直径	滚子宽度	输送滚子直径	输送滚子宽度	链片厚度	内链板高度	小滚子中心距	每个输送滚子的最大载荷	最大链条载荷	每米重量	承压面积
Chain type	Pitch	Width between inner plates	Pin Ø	Pin length	Total width inner link	Width over outer plates	Roller Ø	Width of outer roller	Conveyor roller Ø	Width over conveyor roller	Plate thickness	Height inner plate	Transverse pitch	Max. load per conveyor roller	Max. chain load	Weight per meter	Bearing area
	p	最小值 b1	最大值 d2	最大值 b4	最大值 b2	b5 max.	最大值 d1	b9	d5	b8	Ti/To	最大值 h2	pt	N	N	q	f
	mm	mm	mm	mm	mm	mm	mm	mm	mm	mm	mm	mm	mm			kg/m	cm ²
ES1-1-27-S16	12,7	7,75	4,45	27	11,10	14,50	8,51	4,1	16,0	7,2	1,60/1,50	11,81	19,1	50	1780	1,1	0,50
ES1-1-27-K16	12,7	7,75	4,45	27	11,30	14,50	8,51	4,3	16,0	7,2	1,60/1,50	11,81	19,1	20	1780	0,9	0,50
ES1-1-27-S16.8-CF	12,7	7,75	4,45	27	11,10	14,50	8,51	4,1	16,8	11,0	1,60/1,50	11,81	19,1	20	1070	1,1	0,50
ES1-1-27-K16-CF	12,7	7,75	4,45	27	11,30	14,50	8,51	4,3	16,0	11,0	1,60/1,50	11,81	19,1	20	1070	0,9	0,50
ES1-1-27-S16-CF	12,7	7,75	4,45	27	11,10	14,50	8,51	4,1	16,0	11,0	1,60/1,50	11,81	19,1	20	1070	1,1	0,50
ES2-1-40-S28	19,05	11,68	5,72	40	15,62	19,55	12,07	7,5	28,0	11,0	1,85/1,85	16,13	27,0	140	2890	3,0	0,89
ES2-1-40-K28	19,05	11,68	5,72	40	15,62	19,55	12,07	7,5	28,0	11,0	1,85/1,85	16,13	27,0	90	2890	1,9	0,89
ES2-1-43-S26	19,05	11,68	5,72	43	15,36	19,55	12,07	8,8	26,0	11,0	1,85/1,85	16,13	29,2	140	2890	3,2	0,88
ES2-1-43-K26	19,05	11,68	5,72	43	15,36	19,55	12,07	8,8	26,0	11,0	1,85/1,85	16,13	29,2	90	2890	2,0	0,88
ES2-1-43-S28	19,05	11,68	5,72	43	15,36	19,55	12,07	8,8	28,0	11,0	1,85/1,85	16,13	29,2	140	2890	3,2	0,88
ES2-1-43-K28	19,05	11,68	5,72	43	15,36	19,55	12,07	8,8	28,0	16,8	1,85/1,85	16,13	29,2	90	2890	2,0	0,88
ES2-1-43-S28-CF	19,05	11,00	5,72	43	15,36	19,60	12,07	8,8	28,0	16,8	2,00/2,00	16,13	29,2	90	1850	3,0	0,89
ES2-1-48-S24	19,05	11,68	5,72	48	15,36	19,55	12,07	11,1	24,0	7,2	1,85/1,85	16,13	31,5	140	2890	3,3	0,88
ES2-1-48-K24	19,05	11,68	5,72	48	15,36	19,55	12,07	11,1	24,0	7,2	1,85/1,85	16,13	31,5	90	2890	3,3	0,88
ES2-1-48-K24-CF	19,05	11,68	5,72	48	15,62	19,55	12,07	11,1	24,0	7,2	1,85/1,85	16,13	31,5	90	1730	3,3	0,89
ES2-1-48-S28	19,05	11,68	5,72	48	15,62	20,00	12,07	11,1	28,0	11,0	1,85/1,85	16,13	29,2	140	2890	3,2	0,89
ES2-1-48-S24-CF	19,05	11,40	5,72	48	15,36	19,55	12,07	11,1	24,0	11,0	1,85/1,85	16,13	31,5	90	1850	3,3	0,88
ES3-1-65-S38	25,4	17,02	8,28	65	25,45	32,00	15,88	12,5	38,0	16,8	4,00/3,00	21,08	45,0	280	6000	6,4	2,11
ES3-1-65-K38	25,4	17,02	8,28	65	25,45	32,00	15,88	12,5	38,0	16,8	4,00/3,00	21,08	45,0	220	6000	4,8	2,11
ES3-1-65-K38-CF	25,4	17,02	8,28	65	25,45	32,00	15,88	12,5	38,0	16,8	4,00/3,00	21,08	45,0	220	4200	4,8	2,11
ES2-3-68-S24	19,05	11,40	5,72	68	15,36	19,55	12,07	11,1	24,0	11,0	1,85/1,85	16,13	52,0	140	2890	4,6	1,76

K = 塑料输送滚子
K = Plastic conveyor roller

S = 钢制输送滚子
S = Steel-conveyor roller

CF = 不锈钢链条
CF = Stainless steel chain

可按需提供其他低维护版本的规格。
Other sizes are available on request in low-maintenance versions.





带护指和部件保护的倍速链

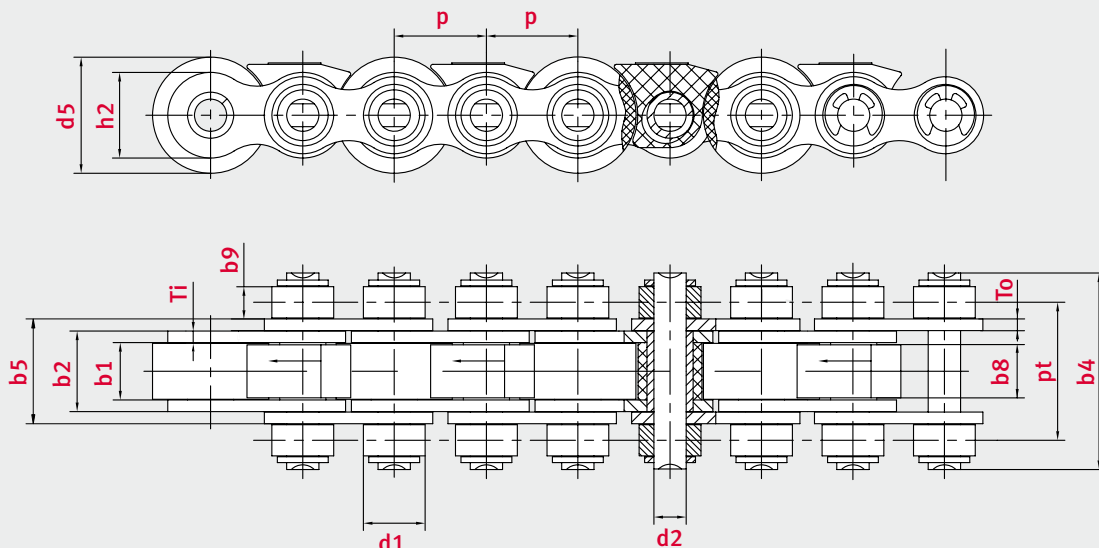
Accumulation chains with finger and parts protection

链条型号	节距	内节内宽	销轴直径	销轴长度	内节外宽	外链节外宽	滚子直径	滚子宽度	输送滚子直径	输送滚子宽度	链片厚度	内链板高度	小滚子中心距	每个输送滚子的最大载荷	最大链条载荷	每米重量	承压面积
Chain type	Pitch	Width between inner plates	Pin Ø	Pin length	Total width inner link	Width over outer plates	Roller Ø	Width of outer roller	Conveyer roller Ø	Width over conveyer roller	Plate thickness	Height inner plate	Transverse pitch	Max. load per conveyer roller	Max. chain load	Weight per meter	Bearing area
	p mm	最小值 b1 mm	最大值 d2 mm	最大值 b4 mm	最大值 b2 mm	b5 max. mm	最大值 d1 mm	b9 mm	d5 mm	b8 mm	Ti/To mm	最大值 h2 mm	pt mm	N	N	q kg/m	f cm ²
EST1-1-27-K16	12,7	7,75	4,45	27	11,30	14,50	8,51	4,3	16	7,2	1,60/1,50	11,81	19,1	20	1250	0,9	0,50
EST1-1-27-S16	12,7	7,75	4,45	27	11,30	14,50	8,51	4,3	16	7,2	1,60/1,50	11,81	19,1	50	1250	1,2	0,50
EST1-1-27-K16-CF	12,7	7,75	4,45	27	11,10	14,50	8,51	4,3	16	7,2	1,60/1,50	11,81	19,1	20	1070	0,9	0,50
EST2-1-43-K26	19,05	11,68	5,72	43	15,36	19,55	12,07	8,8	26	11,0	1,85/1,85	16,13	29,2	90	2250	2,0	0,88
EST2-1-43-S26	19,05	11,68	5,72	43	15,36	19,55	12,07	8,8	26	11,0	1,85/1,85	16,13	29,2	140	2250	3,2	0,88
EST3-1-65-S38	25,4	17,02	8,28	65	25,45	32,00	15,88	12,5	38	16,8	4,00/3,00	21,08	45,0	280	6000	4,8	2,11

K = 塑料输送滚子
K = Plastic conveyor roller

S = 钢制输送滚子
S = Steel-conveyor roller

CF = 不锈钢链条
CF = Stainless steel chain





三排式倍速链

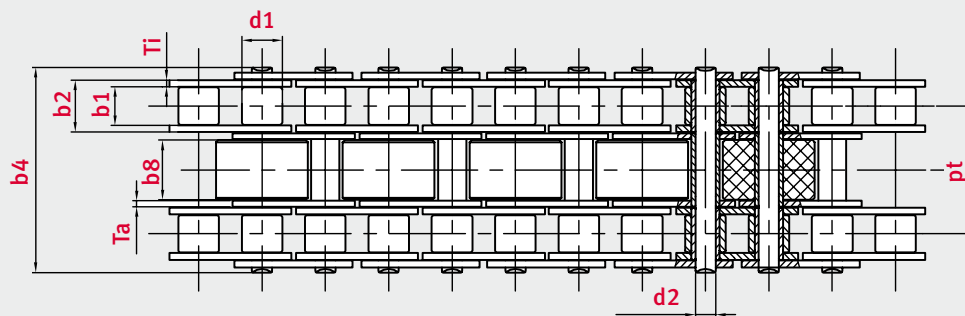
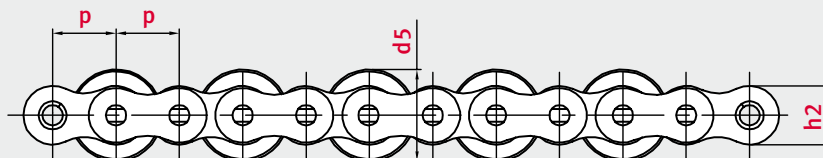
Accumulation chains triplex version

链条型号 Chain type	节距 Pitch	内节内宽 Width between inner plates	销轴直径 Pin Ø	销轴长度 Pin length	内节外宽 Total width inner link	外链节外宽 Width over outer plates	滚子直径 Roller Ø	输送滚子直径 Conveyor roller Ø	输送滚子宽度 Width over conveyor roller	链片厚度 Plate thickness	内链板高度 Height inner plate	排距 Transverse pitch	每个输送滚子的最大载荷 Max. load per conveyor roller	最大链条载荷 Max. chain load	每米重量 Weight per meter	承压面积 Bearing area
	p mm	最小值 b1 mm	最大值 d2 mm	最大值 b4 mm	最大值 b2 mm	b5 max. mm	最大值 d1 mm	d5 mm	b8 mm	Ti/To mm	最大值 h2 mm	pt mm	N	N	q kg/m	f cm ²
ESR06B-3-34-K14-CF	9,525	5,72	3,28	33,8	8,53	11,40	6,35	14	8,0	1,30/1,30	8,2	10,24	18	1150	0,50	0,56
ESR1-3-45-S17	12,7	7,75	4,45	44,9	11,30	39,72	8,51	17	12,4	1,60 / 1,60	11,8	27,84	80	3600	1,52	1,01
ESR1-3-45-K17	12,7	7,75	4,45	44,9	11,30	39,72	8,51	17	12,4	1,60 / 1,60	11,8	27,84	32	3600	0,95	1,01
ESR2-3-62-S28	19,05	11,68	5,72	61,5	15,62	54,65	12,07	28	17,5	1,88 / 1,98	16,1	38,90	210	5000	4,54	1,79
ESR2-3-62-K28	19,05	11,68	5,72	61,5	15,62	54,65	12,07	28	17,5	1,88 / 1,98	16,1	38,90	135	5000	3,40	1,79

K = 塑料输送滚子
K = Plastic conveyor roller

S = 钢制输送滚子
S = Steel-conveyor roller

CF = 不锈钢链条
CF = Stainless steel chain





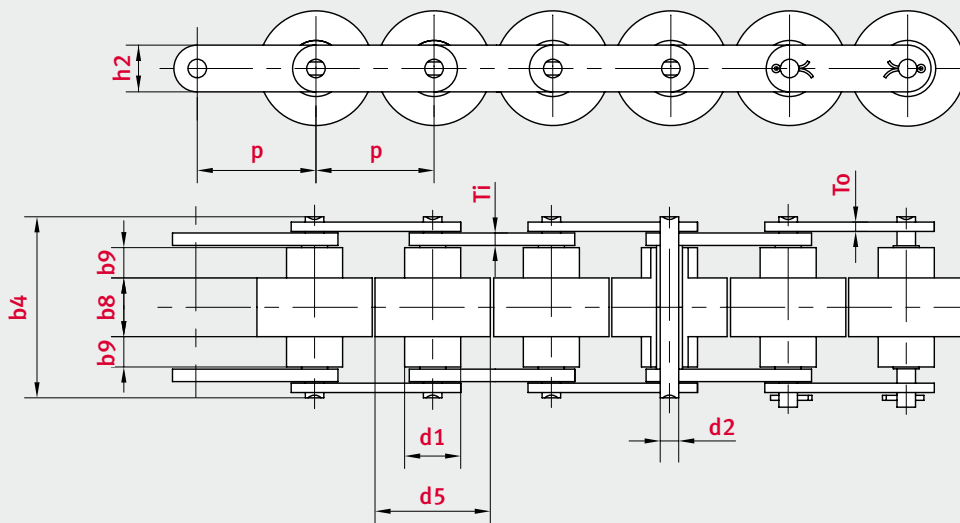
无部件防护装置的倍速链

Double Speed chains without parts protection

链条型号	节距	内节内宽	销轴直径	销轴长度	滚子直径	滚子宽度	输送滚子直径	输送滚子宽度	链片厚度	内链板高度	每米重量	承压面积
Chain type	Pitch	Width between inner plates	Pin Ø	Pin length	Roller Ø	Width outer roller	Conveyor roller Ø	Width over conveyor roller	Plate thickness	Height inner plate	Weight per meter	Bearing area
	p mm	最小值 b1 mm	最大值 d2 mm	最大值 b4 mm	最大值 d1 mm	b9 mm	d5 mm	b8 mm	Ti/To mm	最大值 h2 mm	q kg/m	f cm ²
DS C2030 S183	19,05	16,0	3,28	24,0	11,91	4,0	18,3	8,0	1,50/1,30	8,2	1,05	0,52
DS C2030 K183	19,05	16,0	3,28	24,0	11,91	4,0	18,3	8,0	1,50/1,30	8,2	0,60	0,52
DS C2040 S246	25,4	21,7	3,96	31,0	15,88	5,7	24,6	10,3	1,50/1,50	11,7	2,56	0,86
DS C2040 K246	25,4	21,7	3,96	31,0	15,88	5,7	24,6	10,3	1,50/1,50	11,7	0,85	0,86
DS C2050 S306	31,75	27,2	5,08	39,5	19,05	7,1	30,6	13,0	2,03/2,03	15,0	4,06	1,38
DS C2050 K306	31,75	27,2	5,08	39,5	19,05	7,1	30,6	13,0	2,03/2,03	15,0	1,40	1,38
DS C2060H S366	38,1	32,5	5,94	49,8	22,23	8,5	36,6	16,2	3,25/3,25	18,1	5,90	1,93
DS C2060H K366	38,1	32,5	5,94	49,8	22,23	8,5	36,6	16,2	3,25/3,25	18,1	2,30	1,93
DS C2080 S490	50,8	43,2	7,92	66,2	28,58	11,0	49,0	21,5	5,00/4,00	24,0	10,50	3,45
DS C2080 K490	50,8	43,2	7,92	66,2	28,58	11,0	49,0	21,5	5,00/4,00	24,0	10,50	3,45

K = 塑料输送滚子
K = Plastic conveyor roller

S = 钢制输送滚子
S = Steel-conveyor roller

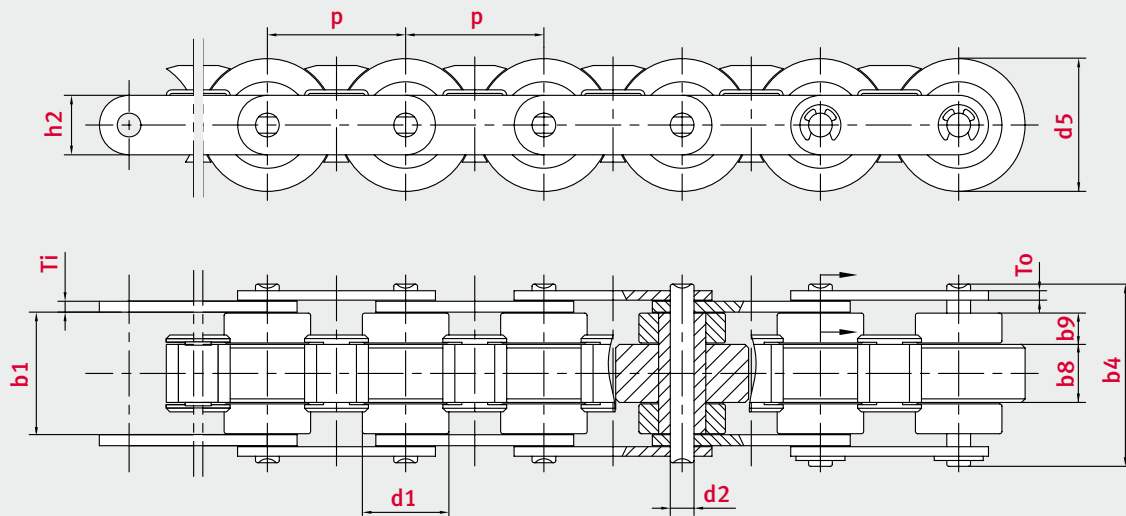




带部件防护装置的倍速链

Double Speed chains with parts protection

链条型号	节距	内节内宽	销轴直径	销轴长度	滚子直径	滚子宽度	输送滚子直径	输送滚子宽度	链片厚度	内链板高度	每米重量	承压面积
Chain type	Pitch	Width between inner plates	Pin Ø	Pin length	Roller Ø	Width outer roller	Conveyer roller Ø	Width over conveyer roller	Plate thickness	Height inner plate	Weight per meter	Bearing area
	p mm	最小值 b1 mm	最大值 d2 mm	最大值 b4 mm	最大值 d1 mm	b9 mm	d5 mm	b8 mm	Ti/To mm	最大值 h2 mm	q kg/m	f cm ²
DST C2030 S183	19,05	16,0	3,28	24,0	11,91	4,0	18,3	8,0	1,50/1,30	8,2	1,1	0,52
DST C2030 K183	19,05	16,0	3,28	24,0	11,91	4,0	18,3	8,0	1,50/1,30	8,2	0,7	0,52
DST C2040 S246	25,4	21,7	3,96	31,0	15,88	5,7	24,6	10,3	1,50/1,50	11,7	2,6	0,86
DST C2040 K246	25,4	21,7	3,96	31,0	15,88	5,7	24,6	10,3	1,50/1,50	11,7	1,0	0,86
DST C2050 S306	31,75	27,2	5,08	39,5	19,05	7,1	30,6	13,0	2,03/2,03	15,0	4,6	1,38
DST C2050 K306	31,75	27,2	5,08	39,5	19,05	7,1	30,6	13,0	2,03/2,03	15,0	1,5	1,38
DST C2060H S366	38,1	32,5	5,94	49,8	22,23	8,5	36,6	16,2	3,25/3,25	18,1	6,0	1,93
DST C2060H K366	38,1	32,5	5,94	49,8	22,23	8,5	36,6	16,2	3,25/3,25	18,1	2,4	1,93
DST C2080 S490	50,8	43,2	7,92	66,2	28,58	11,0	49,0	21,5	5,00/4,00	24,0	10,6	3,45
DST C2080 K490	50,8	43,2	7,92	66,2	28,58	11,0	49,0	21,5	5,00/4,00	24,0	10,6	3,45





板式链
Leaf chains



ELITE® 板式链

Leaf chains

ELITE 板式链用于负载物必须被提起、吊起或拉动且处于功能和安全考虑必须保证高疲劳强度的应用情境。板式链最常见的用途是在叉车上，此外也用作机床平衡链、拉拔工作台链条或集装箱起重链条。

不同于滚子链的是，板式链疲劳强度值极高，因为板式链仅包含销轴和链板；但这也牺牲了板式链的耐磨性能，因为板式链没有其它链条通常具备的销轴和套筒。

板式链分类

板式链可根据ISO 4347标准进行分类。LH系列板式链对应BL系列，而LL系列通常称为F系列。这是通过将美标和欧标以及语言表达习惯融合为同一份统一标准来确定的分类结果。

带有前缀名LH（或BL）的板式链，其基准为符合ISO 606要求的ANSI系列链条。带有前缀名LL（或F）的板式链，其基准为符合ISO 606要求的英标系列链条。前缀名后带有四位数字编码，其中前两位数表示链条节距。将链条节距除以16便可以得出链条节距的英寸数。最后两位数字代表链板配置（外链节和内链节中链板数）。

同样的原则也适用于美国BL链条分类，不同点在于：要通过把第一位数字（不超过1.0英寸的节距）或者前两位数字（等于或大于1.25英寸的节距）除以8，而不是除以16，才能得到以英寸为单位的链条节距。对于LL（或F）系列链条，前两位数字四舍五入至下一个整数英寸，作为节距数值。

ELITE leaf chains are used wherever loads must be lifted, hoisted or pulled and high fatigue strength is crucial to function and safety. The most common use of ELITE leaf chains is in forklift truck masts, but they are also used as counterbalance chains in machine tools, as draw bench chains or in container pallet jacks.

Unlike roller chains, leaf chains have very high fatigue strength values, since they consist only of pins and plates. High fatigue strength is gained at the expense of wear resistance, because leaf chains do not have the classic pin and bush bearings common to other chains.

Classification of leaf chains

Leaf chains can be classified synonymously according to standard ISO 4347. Leaf chains from the LH series correspond with the BL series, and LL series chains are commonly referred to as F series. This is a result of the harmonisation of American and European standards and language conventions in a single unified standard.

Leaf chains with the prefix “LH” [“BL”] are based on the ANSI chain series according to ISO 606, leaf chains with the prefix “LL” [F] correspond with the British Standard series according to ISO 606. The prefix is followed by a four-digit number whose first two digits represent the chain pitch. Dividing of the latter by 16 gives the chain pitch in inches. The last two digits denote the plate configuration (number of plates in outer and inner link).

The same principle applies to the American “BL” chain classification, except that the chain pitch in inches is obtained by dividing the first digit (pitch up to 1.0 inch) or the first two digits (for pitches of 1.25 inches or more) by eight rather than 16. In the case of series “LL” [F] chains, the first two digits are rounded up to the next full inch to obtain the pitch figure.

ELITE highlights

- ELITE 链条链板 ① 几何特征优化，精密制造，并经热处理。锥形及喷丸处理后的链板接触率特别高。
- ELITE 销轴 ② 光滑平整，表面更坚硬，以提升耐磨特性
- ELITE chain plates ① with optimum geometry are precision-formed and heat-treated. The tapered and shot-blasted chain plates also have particularly high contact ratios.
- ELITE pins ② are smooth and have an extra hard surface for increased wear resistance

ELITE板式链

LH [BL]系列 - 美式, 重型系列

(ISO 4347和DIN 8152)

该系列链板尺寸采用 DIN 8188 标准滚子链链板, 但是销轴直径和链板厚度与下一更大链条尺寸对应。

LL [F]系列 - 欧式, 轻型系列

(ISO 4347和DIN 8152)

该系列链板尺寸采用 DIN 8187 标准滚子链链板尺寸。

AL系列 - 美式, 轻型系列

这些板式链符合旧版美国标准。虽然这一标准在几年前便已失效, 但是对应的链条却仍在某些情况下继续使用。适用的尺寸符合ANSI标准。

行业和应用

- 叉车
- 起重设备
- 机床
- 炼钢行业
- 集装箱起重机
- 其他

产品范围

- 板式链重型LH/BL系列——美式
- 板式链轻型LL/F系列——欧式
- 板式链AL系列
- 带有导向装置和叉车桅杆液压保护的板式链

ELITE产品其他优点

- 产品型号多样
- 可提供按照工厂标准制造的多种其它特殊变更型号

ELITE leaf chains

Series LH [BL] – American type, heavy series

(ISO 4347 and DIN 8152)

For this series, the link plate dimensions of roller chains manufactured according to ANSI Standard are used, but the pin diameter and thickness of the link plate correspond to the next larger chain size.

Series LL [F] – European type, light series

(ISO 4347 and DIN 8152)

For this series, the dimensions of roller chains according to DIN 8187 are used.

Series AL – American type, light series

These leaf chains correspond to the old American standard. Although this standard was withdrawn several years ago, the chains are still used occasionally. The applicable dimensions are according to ANSI Standard.

Industries and applications

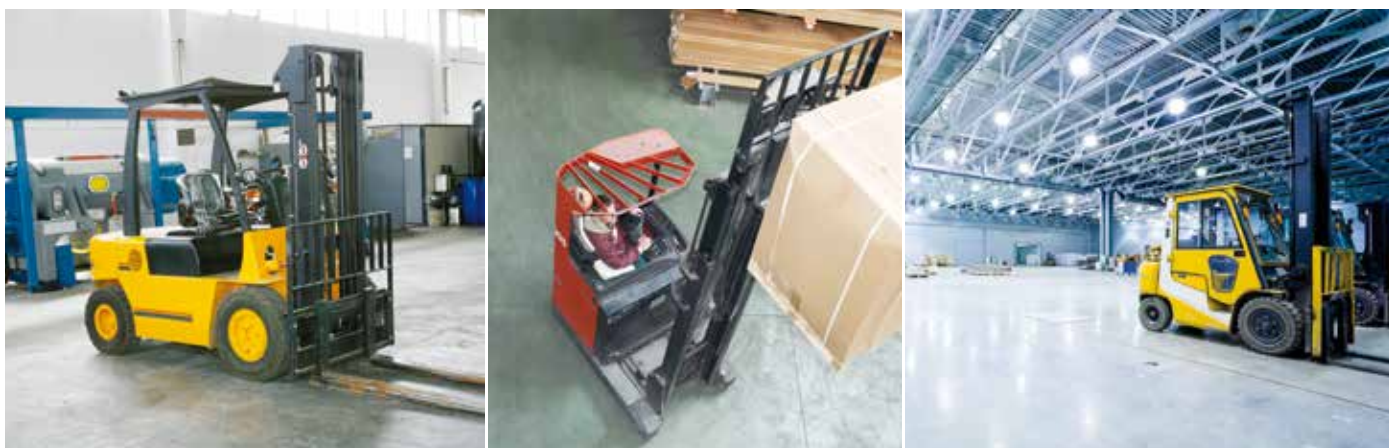
- Forklift trucks
- Lifting devices
- Machine tools
- Steelmaking industry
- Container pallet jacks
- ... and much more besides

Product range

- Leaf chains heavy series LH [BL], American type
- Leaf chains light series LL [F], European type
- Leaf chains series AL
- Leaf chains with tube guide and hydraulic mast protection for forklift trucks

Additional ELITE benefits

- Wide range of products
- Many other special variants manufactured to factory standards available

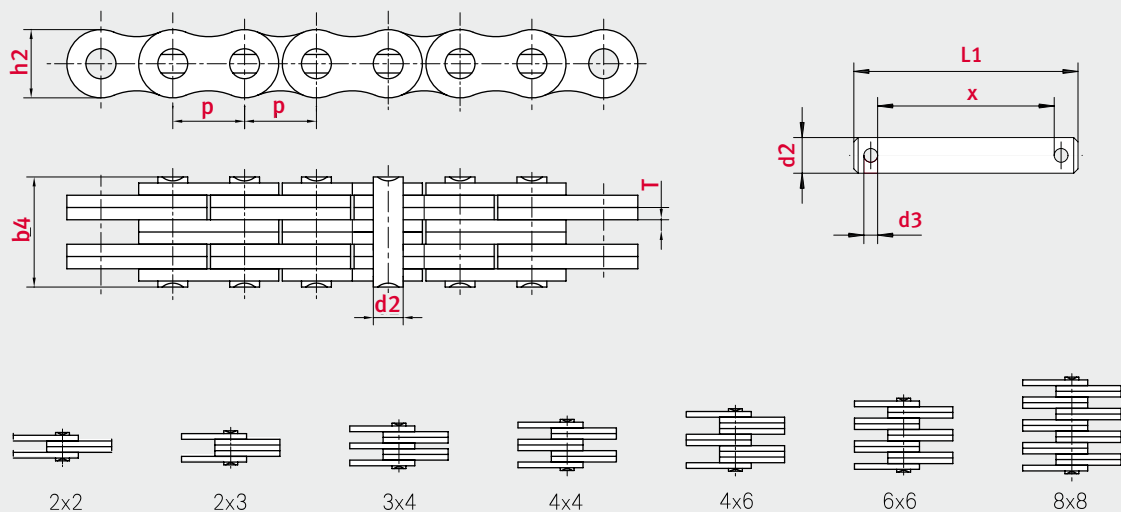




符合美国标准ISO 4347/DIN 8152的BL系列重型板式链

Leaf chains heavy series BL according to American standard ISO 4347/DIN 8152

链条型号		节距	链片组合	链片高度	链片厚度	销轴直径	销轴长度	最小抗拉强度 ISO/DIN	平均抗拉强度	每米重量	连接销		
Chain type		Pitch	Plate lacing	Plate depth	Plate thickness	Pin Ø	Pin length	Min. tensile strength ISO/DIN	Avg. tensile strength	Weight per meter	Clevis pins		
ISO	ANSI	p mm		最大值 h2 mm	最大值 T mm	最大值 d2 mm	最大值 b4 mm	FU kN	FB kN	q kg/m	d3 mm	L1 mm	x mm
LH0822	BL422	12,7	2 x 2	12	2,0	5,09	11,0	22,2	23,6	0,6	1,6	14,8	8,8
LH0823	BL423	12,7	2 x 3	12	2,0	5,09	13,2	22,2	24,5	0,8	1,6	17,0	11,0
LH0834	BL434	12,7	3 x 4	12	2,0	5,09	17,4	33,4	42,7	1,1	1,6	21,4	15,4
LH0844	BL444	12,7	4 x 4	12	2,0	5,09	19,5	44,5	57,8	1,3	1,6	23,5	17,5
LH0846	BL446	12,7	4 x 6	12	2,0	5,09	23,8	44,5	55,4	1,6	1,6	29,9	21,9
LH0866	BL466	12,7	6 x 6	12	2,0	5,09	28,0	66,7	86,9	1,9	1,6	32,3	26,3
LH0888	BL488	12,7	8 x 8	12	2,0	5,09	36,4	88,8	112,0	2,6	1,6	41,8	35,5
LH1022	BL522	15,875	2 x 2	15	2,4	5,96	12,9	33,4	41,8	0,9	2,0	17,7	10,5
LH1023	BL523	15,875	2 x 3	15	2,4	5,96	15,4	33,4	42,2	1,1	2,0	20,3	13,1
LH1034	BL534	15,875	3 x 4	15	2,4	5,96	20,3	48,9	63,0	1,5	2,0	25,5	18,3
LH1044	BL544	15,875	4 x 4	15	2,4	5,96	22,9	66,7	90,8	1,8	2,0	28,0	20,9
LH1046	BL546	15,875	4 x 6	15	2,4	5,96	27,5	66,7	88,9	2,2	2,0	33,2	26,0
LH1066	BL566	15,875	6 x 6	15	2,4	5,96	33,1	100,9	130,0	2,6	2,0	38,5	31,2
LH1088	BL588	15,875	8 x 8	15	2,4	5,96	42,2	133,6	159,6	3,5	2,0	48,8	41,7
LH1222	BL622	19,05	2 x 2	18,1	3,2	7,94	17,4	48,9	63,2	1,4	3,2	25,0	14,2
LH1223	BL623	19,05	2 x 3	18,1	3,2	7,94	20,0	48,9	71,0	1,8	3,2	28,5	17,7
LH1234	BL634	19,05	3 x 4	18,1	3,2	7,94	27,4	75,6	110,3	2,5	3,2	35,5	24,7
LH1244	BL644	19,05	4 x 4	18,1	3,2	7,94	29,8	97,6	143,1	2,9	3,2	38,8	28,3
LH1246	BL646	19,05	4 x 6	18,1	3,2	7,94	37,5	97,6	145,5	3,6	3,2	46,0	35,2
LH1266	BL666	19,05	6 x 6	18,1	3,2	7,94	43,1	146,8	213,9	4,3	3,2	52,8	42,5
LH1288	BL688	19,05	8 x 8	18,1	3,2	7,94	56,4	195,6	234,9	5,8	3,2	66,8	56,6





符合美国标准ISO 4347/DIN 8152的BL系列重型板式链

Leaf chains heavy series BL according to American standard ISO 4347/DIN 8152

链条型号		节距	链片组合	链片高度	链片厚度	销轴直径	销轴长度	最小抗拉强度 ISO/DIN	平均抗拉强度	每米重量	连接销		
Chain type		Pitch	Plate lacing	Plate depth	Plate thickness	Pin Ø	Pin length	min. tensile strength ISO/DIN	Avg. tensile strength	Weight per meter	Clevis pins		
ISO	ISO	p mm		最大值 h2 mm	最大值 T mm	最大值 d2 mm	最大值 b4 mm	FU kN	FB kN	q kg/m	d3 mm	L1 mm	x mm
LH1622	BL822	25,4	2 x 2	24,1	4,0	9,54	20,7	84,5	111,2	2,2	3,2	28,5	17,8
LH1623	BL823	25,4	2 x 3	24,1	4,0	9,54	25,5	84,5	115,6	2,7	3,2	32,9	22,1
LH1634	BL834	25,4	3 x 4	24,1	4,0	9,54	33,8	129,0	172,0	3,8	3,2	41,7	30,8
LH1644	BL844	25,4	4 x 4	24,1	4,0	9,54	37,9	169,0	243,9	4,3	3,2	47,7	37,0
LH1646	BL846	25,4	4 x 6	24,1	4,0	9,54	45,7	169,0	224,2	5,4	3,2	54,8	43,8
LH1666	BL866	25,4	6 x 6	24,1	4,0	9,54	54,5	253,6	345,2	6,5	3,2	63,3	52,4
LH1688	BL888	25,4	8 x 8	24,1	4,0	9,54	71,0	338,1	454,5	8,6	3,2	81,2	69,9
LH2022	BL1022	31,75	2 x 2	30,1	4,8	11,1	25,4	115,6	122,7	3,4	3,2	36,8	26,2
LH2023	BL1023	31,75	2 x 3	30,1	4,8	11,1	30,3	115,6	193,8	4,3	3,2	37,0	26,1
LH2034	BL1034	31,75	3 x 4	30,1	4,8	11,1	39,9	182,4	251,0	6,0	3,2	47,2	35,5
LH2044	BL1044	31,75	4 x 4	30,1	4,8	11,1	43,8	231,3	331,6	6,9	3,2	39,9	52,0
LH2046	BL1046	31,75	4 x 6	30,1	4,8	11,1	53,5	231,3	336,2	8,6	3,2	63,0	50,2
LH2066	BL1066	31,75	6 x 6	30,1	4,8	11,1	64,5	347,0	478,0	10,3	3,2	71,4	59,3
LH2088	BL1088	31,75	8 x 8	30,1	4,8	11,1	84,8	462,4	730,0	13,8	3,2	92,4	79,9
LH2422	BL1222	38,1	2 x 2	36,2	5,5	12,7	29,6	151,2	210,4	4,6	4,0	36,9	24,5
LH2423	BL1223	38,1	2 x 3	36,2	5,5	12,7	35,4	151,2	222,5	5,8	4,0	41,8	30,0
LH2434	BL1234	38,1	3 x 4	36,2	5,5	12,7	45,4	244,6	348,0	8,1	4,0	54,8	41,8
LH2444	BL1244	38,1	4 x 4	36,2	5,5	12,7	51,1	302,5	410,3	9,3	4,0	60,0	46,3
LH2446	BL1246	38,1	4 x 6	36,2	5,5	12,7	62,5	302,5	496,0	11,6	4,0	72,8	59,7
LH2466	BL1266	38,1	6 x 6	36,2	5,5	12,7	73,9	453,7	722,6	13,9	4,0	86,1	71,3
LH2488	BL1288	38,1	8 x 8	36,2	5,5	12,7	99,4	604,8	948,0	18,6	4,0	111,1	98,6
LH2822	BL1422	44,45	2 x 2	42,2	6,5	14,3	33,5	191,3	230,0	6,1	4,0	39,4	27,6
LH2823	BL1423	44,45	2 x 3	42,2	6,5	14,3	40,2	191,3	230,0	7,6	4,0	46,9	33,9
LH2834	BL1434	44,45	3 x 4	42,2	6,5	14,3	53,0	315,8	360,0	10,6	4,0	60,3	46,9
LH2844	BL1444	44,45	4 x 4	42,2	6,5	14,3	60,0	382,6	450,0	12,2	4,0	71,1	58,6
LH2846	BL1446	44,45	4 x 6	42,2	6,5	14,3	72,3	382,6	483,0	15,2	4,0	80,2	67,1
LH2866	BL1466	44,45	6 x 6	42,2	6,5	14,3	85,5	578,3	948,0	18,2	4,0	97,7	85,1
LH2888	BL1488	44,45	8 x 8	42,2	6,5	14,3	112,8	765,2	1080,0	24,3	4,0	121,6	108,6
LH3222	BL1622	50,8	2 x 2	48,2	7,2	17,5	39,0	289,1	325,0	8,0	-	-	-
LH3223	BL1623	50,8	2 x 3	48,2	7,2	17,5	46,6	289,1	340,0	10,0	5,0	51,3	37,6
LH3234	BL1634	50,8	3 x 4	48,2	7,2	17,5	59,9	440,4	594,0	14,0	5,0	66,5	52,8
LH3244	BL1644	50,8	4 x 4	48,2	7,2	17,5	73,6	578,3	812,5	16,0	5,0	82,9	65,7
LH3246	BL1646	50,8	4 x 6	48,2	7,2	17,5	84,4	578,3	805,0	20,0	5,0	89,0	75,3
LH3266	BL1666	50,8	6 x 6	48,2	7,2	17,5	97,5	867,4	1170,0	24,0	5,0	112,2	94,6
LH3288	BL1688	50,8	8 x 8	48,2	7,2	17,5	127,5	1156,4	-	32,0	5,0	141,6	124,0
LH4022	BL2022	63,5	2 x 2	60,3	9,9	23,7	51,7	433,7	-	15,8	6,2	62,2	40,0
LH4023	BL2023	63,5	2 x 3	60,3	9,9	23,7	61,7	433,7	-	19,8	6,2	71,6	49,4
LH4034	BL2034	63,5	3 x 4	60,3	9,9	23,7	81,6	649,4	-	27,7	-	-	-
LH4044	BL2044	63,5	4 x 4	60,3	9,9	23,7	91,6	867,4	-	31,6	6,2	101,0	78,8
LH4046	BL2046	63,5	4 x 6	60,3	9,9	23,7	111,5	867,4	-	39,5	6,2	120,9	98,7
LH4066	BL2066	63,5	6 x 6	60,3	9,9	23,7	131,4	1301,1	-	47,4	6,2	143,3	120,6
LH4088	BL2088	63,5	8 x 8	60,3	9,9	23,7	171,2	1734,8	-	63,2	6,2	182,5	157,2

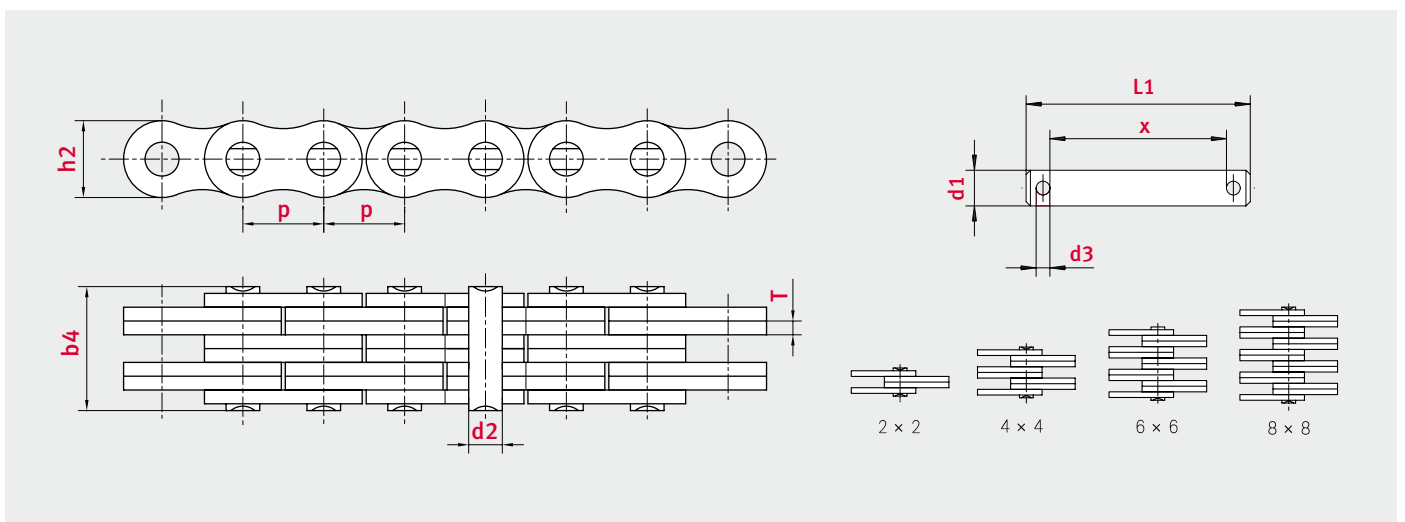
有关图纸，请参见第104页
For drawing, see page 104



符合欧洲标准ISO 4347/DIN 8152的LL系列轻型板式链

Leaf chains light series LL according to European standard ISO 4347/DIN 8152

链条型号	节距	链片组合	链片高度	链片厚度	销轴直径	销轴长度	最小抗拉强度 ISO/DIN	平均抗拉强度	每米重量	连接销			
Chain type	Pitch	Plate lacing	Plate depth	Plate thickness	Pin Ø	Pin length	Min. tensile strength ISO/DIN	Avg. tensile strength	Weight per meter	Clevis pins			
DIN/ISO	p mm		最大值 h2 mm	最大值 T mm	最大值 d2 mm	最大值 b4 mm	FU kN	FB kN	q kg/m	d1 mm	d3 mm	L1 mm	x mm
LL0822	12,7	2 x 2	10,4	1,6	4,4	8,7	18,0	20,0	0,4	4,4	1,6	13,1	6,9
LL0844	12,7	4 x 4	10,4	1,6	4,4	15,4	36,0	39,6	0,8	4,4	1,6	20,1	13,7
LL0866	12,7	6 x 6	10,4	1,6	4,4	22,1	54,0	57,9	1,2	4,4	1,6	27,1	20,5
LL0888	12,7	8 x 8	10,4	1,6	4,4	29,3	72,8	84,0	1,6	4,4	1,6	34,0	27,4
LL1022	15,875	2 x 2	13,7	1,5	5,1	9,2	22,0	26,4	0,5	5,1	1,6	13,5	7,0
LL1044	15,875	4 x 4	13,7	1,5	5,1	15,8	44,0	52,6	1,1	5,1	1,6	20,1	14,0
LL1066	15,875	6 x 6	13,7	1,5	5,1	22,9	66,0	79,5	1,6	5,1	1,6	27,1	21,0
LL1088	15,875	8 x 8	13,7	1,5	5,1	28,1	90,8	102,6	2,1	5,1	1,6	34,1	28,0
LL1222	19,05	2 x 2	16,0	1,8	5,7	10,4	29,0	33,6	0,7	5,7	1,6	13,9	7,7
LL1244	19,05	4 x 4	16,0	1,8	5,7	17,9	58,0	71,3	1,4	5,7	1,6	21,7	15,3
LL1266	19,05	6 x 6	16,0	1,8	5,7	25,5	87,0	110,3	2,1	5,7	1,6	29,5	22,9
LL1288	19,05	8 x 8	16,0	1,8	5,7	33,1	115,6	149,0	2,8	5,7	1,3	37,9	31,2
LL1622	25,4	2 x 2	20,8	3,2	8,3	17,2	60,0	73,4	1,5	8,3	3,2	24,0	13,8
LL1644	25,4	4 x 4	20,8	3,2	8,3	30,5	120,0	159,8	2,9	8,3	3,2	37,0	27,4
LL1666	25,4	6 x 6	20,8	3,2	8,3	43,7	180,0	232,4	4,3	8,3	3,2	50,0	41,0
LL1688	25,4	8 x 8	20,8	3,2	8,3	56,5	232,0	281,3	5,7	8,3	3,2	63,0	54,6
LL2022	31,75	2 x 2	26,4	3,5	10,2	20,1	95,0	102,0	2,3	10,2	3,2	26,0	15,2
LL2044	31,75	4 x 4	26,4	3,5	10,2	32,8	190,0	219,7	4,4	10,2	3,2	41,0	30,3
LL2066	31,75	6 x 6	26,4	3,5	10,2	50,1	285,0	325,7	6,8	10,2	3,2	56,0	45,2
LL2088	31,75	8 x 8	26,4	3,5	10,2	64,0	380,0	444,8	8,9	10,2	3,2	71,0	60,2
LL2422	38,1	2 x 2	33,4	5,2	14,6	26,5	170,0	212,0	4,5	14,6	4,0	34,0	21,7
LL2444	38,1	4 x 4	33,4	5,2	14,6	48,6	340,0	448,0	8,2	14,6	4,0	56,3	43,2
LL2466	38,1	6 x 6	33,4	5,2	14,6	69,5	510,0	651,0	12,2	14,6	4,0	77,7	64,5
LL2488	38,1	8 x 8	33,4	5,2	14,6	86,6	680,0	801,0	16,3	14,6	4,0	99,1	86,0
LL2822	44,45	2 x 2	37,1	6,5	15,9	32,2	200,0	240,0	5,1	15,9	4,0	39,4	26,2
LL2844	44,45	4 x 4	37,1	6,5	15,9	56,4	400,0	518,0	9,9	15,9	4,0	65,2	52,0
LL2866	44,45	6 x 6	37,1	6,5	15,9	80,8	600,0	713,0	14,6	15,9	4,0	91,0	77,8
LL2888	44,45	8 x 8	37,1	6,5	15,9	105,2	800,0	916,0	19,4	15,9	4,0	116,4	103,6





符合欧洲标准ISO 4347/DIN 8152的LL系列轻型板式链

Leaf chains light series LL according to European standard ISO 4347/DIN 8152

链条型号	节距	链片组合	链片高度	链片厚度	销轴直径	销轴长度	最小抗拉强度 ISO/DIN	平均抗拉强度	每米重量	连接销			
Chain type	Pitch	Plate lacing	Plate depth	Plate thickness	Pin Ø	Pin length	Min. tensile strength ISO/DIN	Avg. tensile strength	Weight per meter	Clevis pins			
DIN/ISO	p mm		最大值 h2 mm	最大值 T mm	最大值 d2 mm	最大值 b4 mm	FU kN	FB kN	q kg/m	d1 mm	d3 mm	L1 mm	x mm
LL3222	50,8	2 x 2	42,0	6,5	17,8	34,8	260,0	304,6	6,2	17,8	5,0	46,6	27,7
LL3244	50,8	4 x 4	42,0	6,5	17,8	60,6	520,0	589,0	12,3	17,8	5,0	70,6	54,9
LL3266	50,8	6 x 6	42,0	6,5	17,8	87,2	780,0	870,0	18,3	17,8	5,0	97,6	82,1
LL3288	50,8	8 x 8	42,0	6,5	17,8	112,8	1040,0	-	24,0	17,8	5,0	124,6	109,3
LL4022	63,5	2 x 2	52,7	8,0	22,9	42,2	360,0	-	10,3	22,9	6,3	54,6	34,5
LL4044	63,5	4 x 4	52,7	8,0	22,9	74,4	720,0	-	20,0	22,9	6,3	88,5	68,5
LL4066	63,5	6 x 6	52,7	8,0	22,9	106,5	1080,0	1270,0	30,0	22,9	6,3	122,6	102,5
LL4088	63,5	8 x 8	52,7	8,0	22,9	140,0	1440,0	-	39,1	22,9	6,3	156,6	136,5
LL4822	76,2	2 x 2	63,9	10,3	29,2	54,6	560,0	-	18,5	-	-	-	-
LL4844	76,2	4 x 4	63,9	10,3	29,2	92,6	1120,0	-	35,7	-	-	-	-
LL4866	76,2	6 x 6	63,9	10,3	29,2	133,4	1680,0	-	53,0	-	-	-	-
LL4888	76,2	8 x 8	63,9	10,3	29,2	174,2	2240,0	-	70,4	-	-	-	-

有关图纸，请参见第106页
For drawing, see page 106

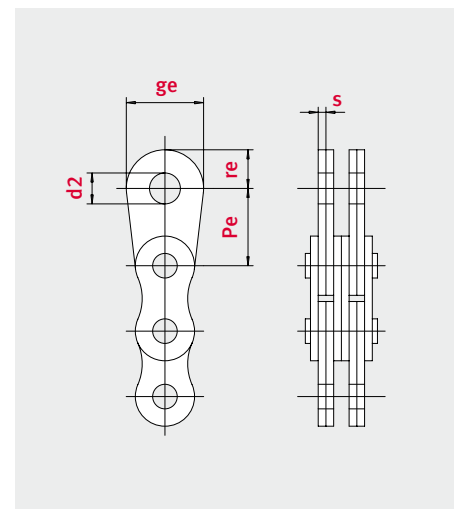


板式链特殊端部链节

Pear drop end links for Leaf chains

链条类型 Chain type	梨形末端链节 Pear drop end links				
	pe mm	d2 mm	ge mm	s max. mm	re mm
LL0822	15,00	6,00	16,00	1,60	10,00
LL0844	15,00	6,00	16,00	1,60	10,00
LL0866	15,00	6,00	16,00	1,60	10,00
LL1022	20,00	8,00	18,00	1,60	11,00
LL1044	20,00	8,00	18,00	1,60	11,00
LL1066	20,00	8,00	18,00	1,60	11,00
LL1088	20,00	8,00	18,00	1,60	11,00
LL1222	30,00	10,00	20,00	1,90	12,00
LL1244	30,00	10,00	20,00	1,90	12,00
LL1266	30,00	10,00	20,00	1,90	12,00
LL1622	30,00	12,00	25,00	3,00	15,00
LL1644	30,00	12,00	25,00	3,00	15,00
LL1666	30,00	12,00	25,00	3,00	15,00
LL1688	30,00	12,00	25,00	3,00	15,00
LL2022	50,00	18,00	40,00	3,50	25,00
LL2044	50,00	18,00	40,00	3,50	25,00
LL2066	50,00	18,00	40,00	3,50	25,00
LL2088	50,00	18,00	40,00	3,50	25,00

链条类型 Chain type	梨形末端链节 Pear drop end links				
	pe mm	d2 mm	ge mm	s max. mm	re mm
LL2422	65,00	24,00	50,00	5,00	29,00
LL2444	65,00	24,00	50,00	5,00	29,00
LL2466	65,00	24,00	50,00	5,00	29,00
LL2488	65,00	24,00	50,00	5,00	29,00
LL2822	80,00	28,00	60,00	6,00	32,00
LL2844	80,00	28,00	60,00	6,00	32,00
LL2866	80,00	28,00	60,00	6,00	32,00
LL2888	80,00	28,00	60,00	6,00	32,00
LL3222	90,00	32,00	70,00	6,30	43,00
LL3244	90,00	32,00	70,00	6,30	43,00
LL3266	90,00	32,00	70,00	6,30	43,00
LL3288	90,00	32,00	70,00	6,30	43,00
LL4022	100,00	38,00	80,00	8,00	46,50
LL4044	100,00	38,00	80,00	8,00	46,50
LL4066	100,00	38,00	80,00	8,00	46,50
LL4088	100,00	38,00	80,00	8,00	46,50



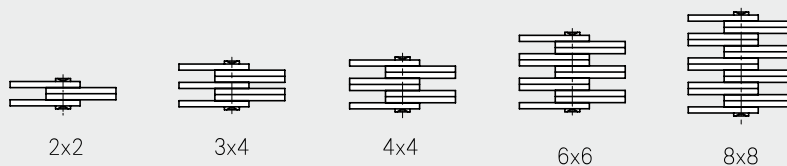
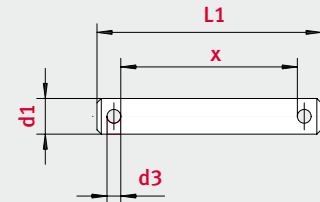
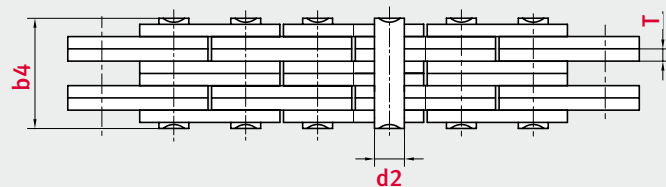
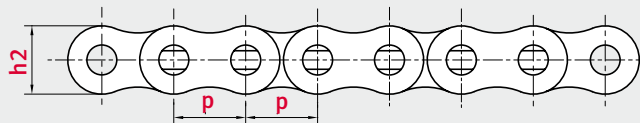
滑轮 : b最小值= 链条总宽度 (B x 1.05)
Idler wheel: bmin= overall width of chain (B x 1.05)



板式链AL系列

Leaf chains AL series

链条型号	节距	链片组合	链片高度	链片厚度	销轴直径	销轴长度	最小抗拉强度 ISO/DIN	每米重量	连接销			
Chain type	Pitch	Plate lacing	Plate depth	Plate thickness	Pin Ø	Pin length	Min. tensile strength ISO/DIN	Weight per meter	Clevis pins			
ANSI	p mm		最大值 h2 mm	最大值 T mm	最大值 d2 mm	b4 mm	FU kN	q kg/m	d1 mm	d3 mm	L1 mm	x mm
AL322	9,525	2 X 2	7,3	1,3	3,58	8,9	8,5	0,23	-	-	-	-
AL344	9,525	4 X 4	7,3	1,3	3,58	13,1	17,0	0,46	-	-	-	-
AL422	12,7	2 X 2	10,4	1,5	3,96	8,1	13,9	0,39	3,96	1,6	12,75	6,5
AL444	12,7	4 X 4	10,4	1,5	3,96	14,4	27,8	0,74	3,96	1,6	19,35	12,9
AL466	12,7	6 X 6	10,4	1,5	3,96	20,6	41,7	1,13	3,96	1,6	25,95	19,3
AL522	15,875	2 X 2	13,0	2,0	5,08	10,7	21,8	0,64	5,07	1,6	14,63	8,5
AL534	15,875	3 X 4	13,0	2,0	5,08	17,0	33,0	1,1	5,07	1,6	21,0	15,1
AL544	15,875	4 X 4	13,0	2,0	5,08	19,3	43,6	1,25	5,07	1,6	23,11	16,8
AL566	15,875	6 X 6	13,0	2,0	5,08	27,9	65,4	1,79	5,07	1,6	31,59	25,0
AL622	19,05	2 X 2	15,6	2,4	5,94	12,9	31,3	0,86	5,07	1,6	19,4	12,8
AL644	19,05	4 X 4	15,6	2,4	5,94	22,9	62,6	1,76	5,91	2,0	27,32	21,32
AL666	19,05	6 X 6	15,6	2,4	5,94	33,1	93,9	2,6	5,91	2,0	37,68	31,88
AL688	19,05	8 X 8	15,6	2,4	5,94	43,2	125,2	3,49	5,91	2,0	49,3	42,5
AL822	25,4	2 X 2	20,8	3,2	7,92	16,0	55,6	1,54	7,92	3,2	24,15	13,55
AL844	25,4	4 X 4	20,8	3,2	7,92	29,8	111,2	3,0	7,92	3,2	37,4	26,6
AL866	25,4	6 X 6	20,8	3,2	7,92	43,1	166,8	4,46	7,92	3,2	50,6	39,8



 **板式链AL系列**
Leaf chains AL series

链条型号	节距	链片组合	链片高度	链片厚度	销轴直径	销轴长度	最小抗拉强度 ISO/DIN	每米重量	连接销			
Chain type	Pitch	Plate lacing	Plate depth	Plate thickness	Pin Ø	Pin length	Min. tensile strength ISO/DIN	Weight per meter	Clevis pins			
ANSI	p mm		最大值 h2 mm	最大值 T mm	最大值 d2 mm	b4 mm	FU kN	q kg/m	d1 mm	d3 mm	L1 mm	x mm
AL1022	31,75	2 X 2	26,0	4,0	9,53	20,70	87	2,37	9,51	3,2	28,8	18,3
AL1044	31,75	4 X 4	26,0	4,0	9,53	37,3	174	4,68	9,51	3,2	45,58	34,78
AL1066	31,75	6 X 6	26,0	4,0	9,53	53,8	261	7,2	9,51	3,2	63,7	52,2
AL1088	31,75	8 X 8	26,0	4,0	9,53	69,9	348	9,94	9,51	3,2	80,3	69,0
AL1222	38,1	2 X 2	31,2	4,8	11,1	24,3	125	3,65	11,09	4,0	34,4	21,1
AL1244	38,1	4 X 4	31,2	4,8	11,1	43,8	250	7,05	11,09	4,0	54,99	41,4
AL1266	38,1	6 X 6	31,2	4,8	11,1	64,7	375	10,5	11,09	4,0	75,71	62,0
AL1288	38,1	8 X 8	31,2	4,8	11,1	82,6	500	14,03	11,09	4,0	92,4	79,9
AL1444	44,45	4 X 4	36,4	5,6	12,64	51,3	340	10,34	12,67	4,0	61,23	48,03
AL1466	44,45	6 X 6	36,4	5,6	12,64	74,6	510	15,16	12,67	4,0	85,07	71,87
AL1644	50,8	4 X 4	41,6	6,5	14,21	58,0	446	12,98	14,22	4,0	71,69	55,5
AL1666	50,8	6 X 6	41,6	6,5	14,21	85,5	669	19,76	14,22	4,0	98,6	83,01
AL1688	50,8	8 X 8	41,6	6,5	14,21	109,5	892	25,47	14,22	4,0	126,9	111,6

有关图纸，请参见第108页
For drawing, see page 108



叉车用带有导向装置的特殊板式链

Special leaf chains with tube guides for forklifts

叉车上经常使用外部固定有塑料管导向装置的板式链作为负载链条。塑料链节链板通常安装在轴销外部，具有以下效果：若链条经受不可避免的震颤或卡涩，链条链节不会撞击液压缸的活塞杆，而是撞击突出的塑料链节链板。这意味着，不会遭受或者造成破坏。还可提供 T、U 或 L 形塑料覆盖物进行内部定位。

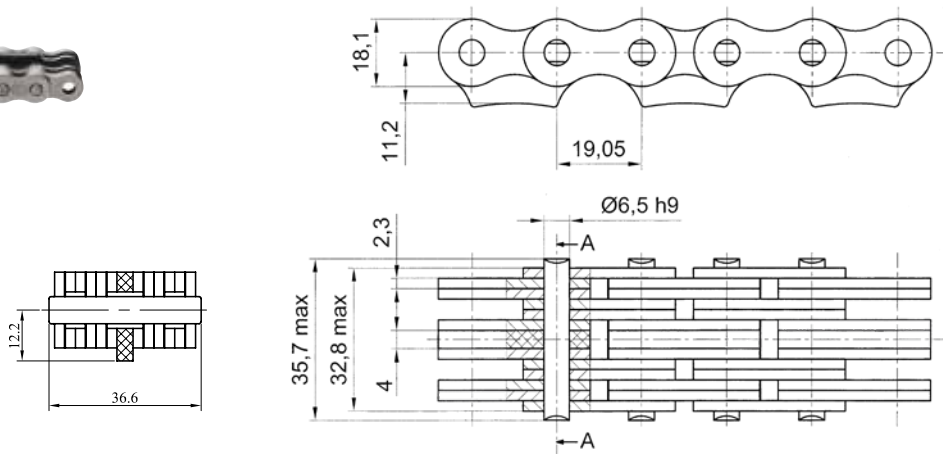
板式链 特色

- 因销轴和外链板过盈配合优化，实现更高的疲劳强度
- 链板强度优化，拉伸强度更大
- 销轴表面硬度更高，更耐磨
- 用冷轧钢带作链节链板时，对偏差范围进行限制，保证安装高度精确。

TYP LL1266 KS



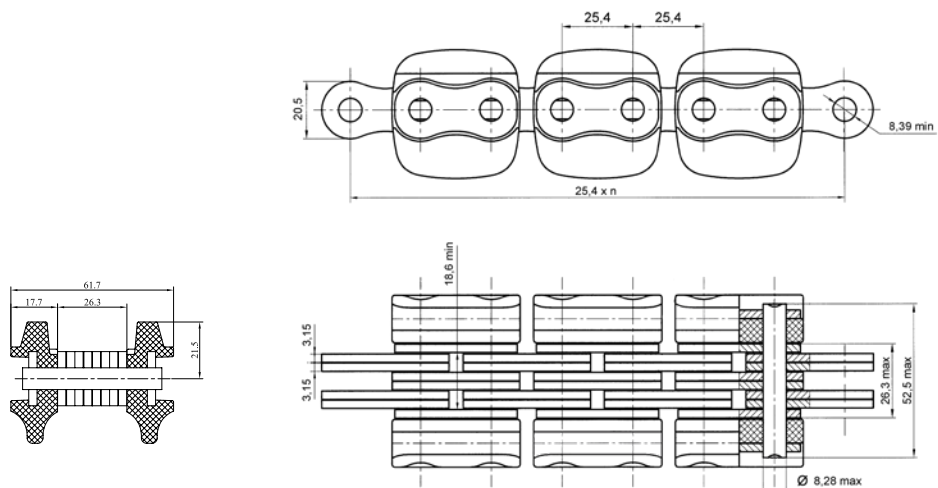
货号：81013553



TYP LL1644 KS105



货号：81013552



ELITE® 叉车用带有导向装置的特殊板式链
Special leaf chains with tube guides for forklifts

Leaf chains with externally positioned plastic tube guides are generally used in forklifts as load chains. The plastic link plates are usually mounted on the outside of the pins and have the following effect: When the unavoidable vibration or jamming of the chain occurs, not the chain links will hit the piston rod of the hydraulic cylinder, but the protruding plastic link plates. This means that neither chain nor aggregates are damaged. The plastic coverings are also available as inside-positioned, T-U-or L-formed coverings.

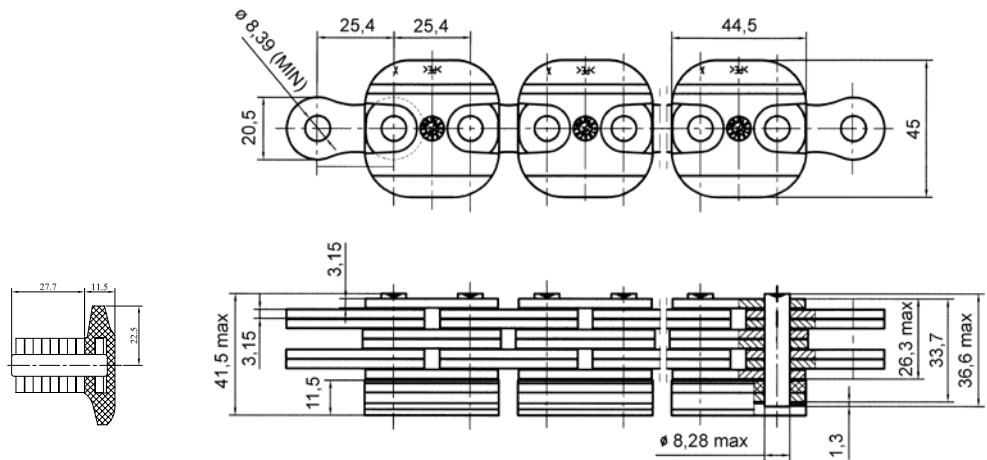
Highlights of the **ELITE** leaf chains

- Higher fatigue strength due to optimized press fit of pin and outer link plate
- Higher tensile strength due to optimized plate strength
- Higher wear resistance due to higher surface hardness of the pins
- High fitting accuracy due to limiting the tolerances when using cold rolled strips for all link plates

TYP LL1644 KS103



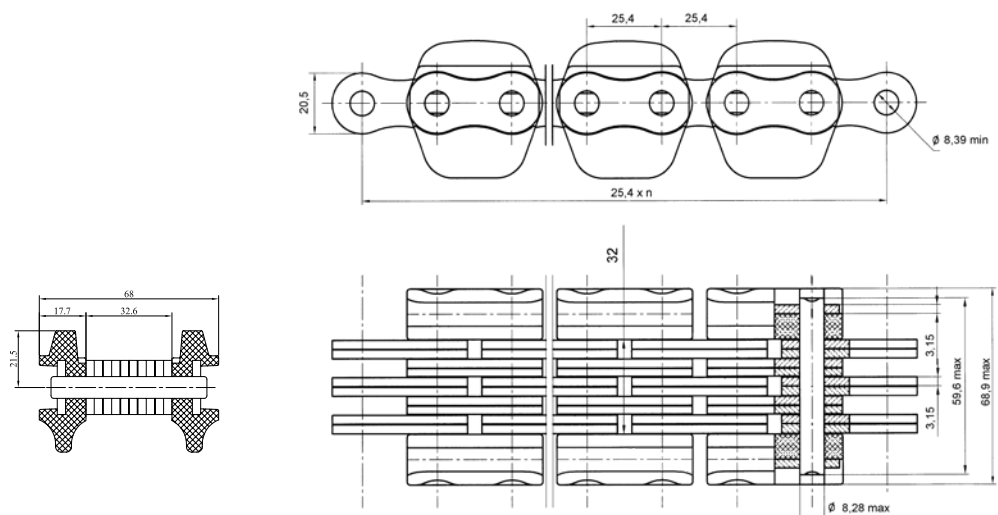
货号：81013553



TYP LL1666 KS106



货号：81013554





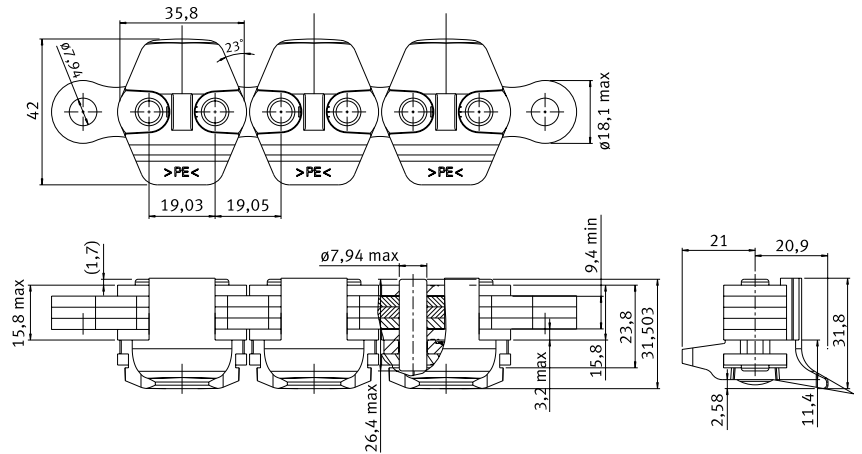
叉车用带有导向装置的特殊板式链

Special leaf chains with tube guides for forklifts

TYP BL633 KS



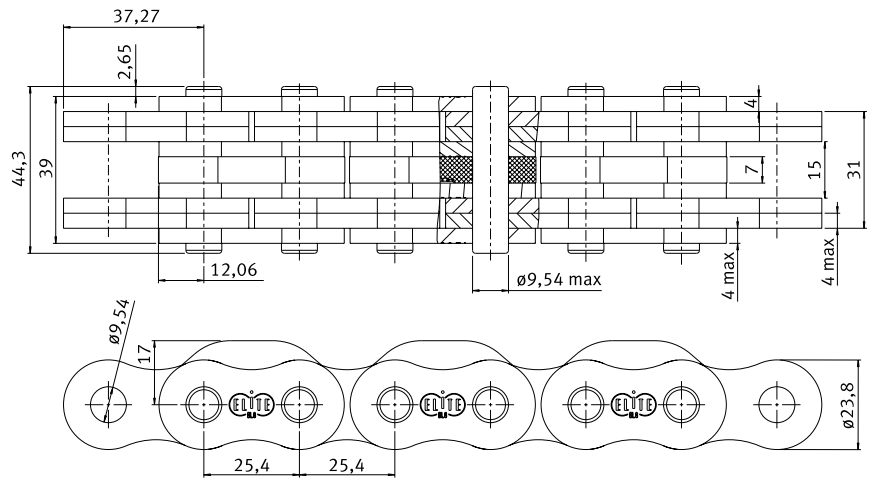
货号：81013550



TYP BL844 LKS



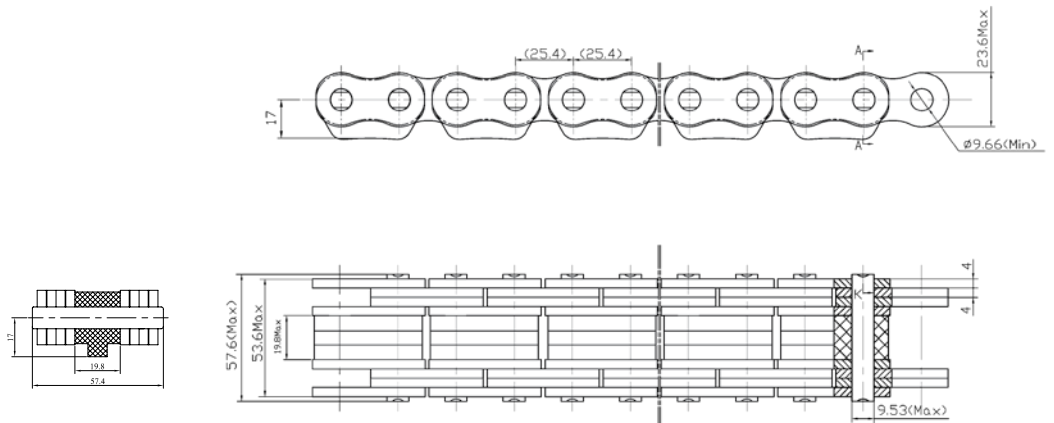
货号：81013821



TYP BL 844 KS109



货号：81012723

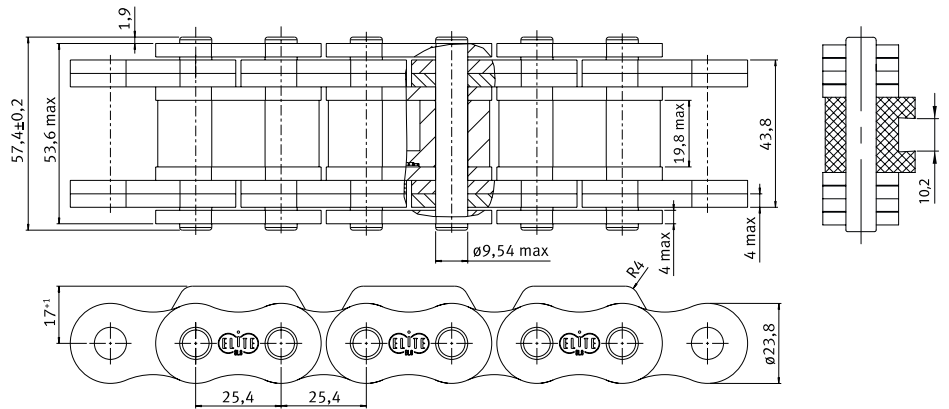


ELITE 叉车用带有导向装置的特殊板式链
Special leaf chains with tube guides for forklifts

TYP BL 844 KS116



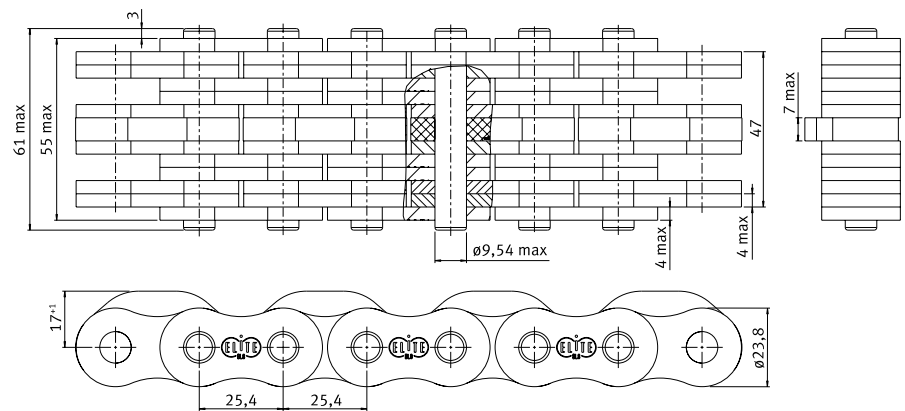
货号：81012722



TYP BL866 KS102



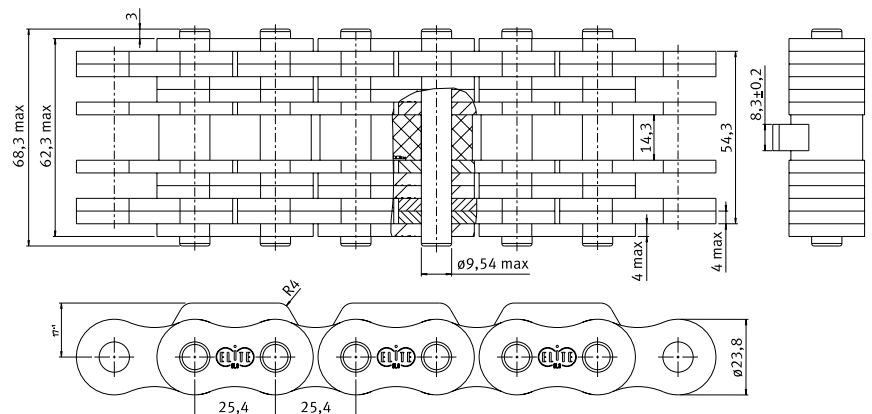
货号：81012415



TYP BL866 KS104



货号：81013551

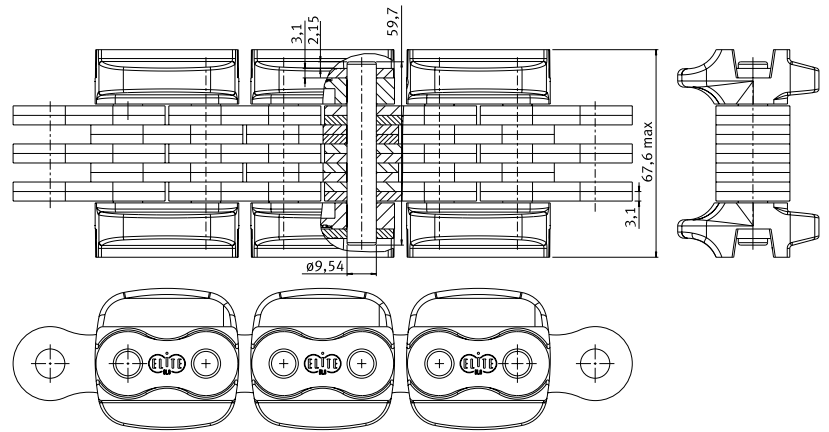


ELITE 叉车用带有导向装置的特殊板式链
Special leaf chains with tube guides for forklifts

TYP BL866 KS111



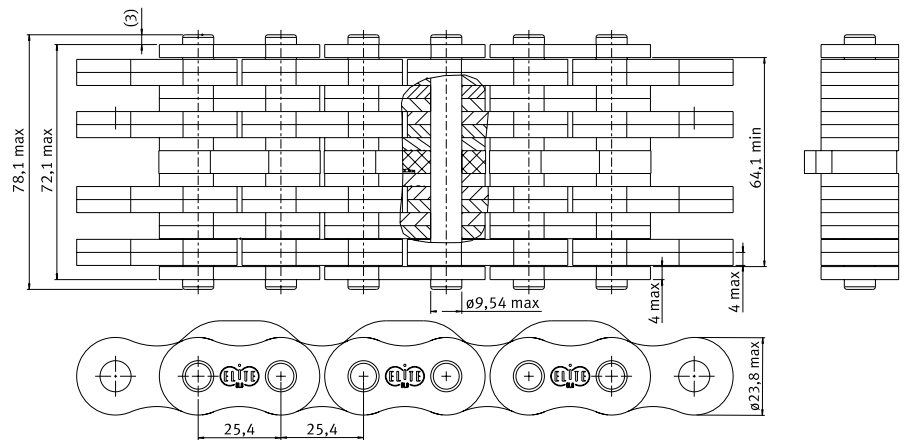
货号：81012399



TYP BL888 KS



货号：81012721





输送链
Conveyor chains



ELITE® 输送链

Conveyor chains

伊维氏 ELITE 输送链系列包含多种符合DIN 8165和DIN 8167标准要求的链条，还包含根据英标制造的以英寸为单位计算尺寸的链条型号，以及十分多元化的特殊链条版本。**套筒输送链**通常用于涉及长距离低速运输的传送任务。我们建议在“重型负载”应用项目中采用伊维氏重型过渡链节输送链。此输送链带有过渡链节，弹性更高，更能经受负载冲击。

考虑到工业中仅有很少一部分链条是完全符合某一特定标准的，**ELITE输送链根据客户特定要求实现客制化，因此满足大量特殊要求。**

ELITE特色

- 销轴 ① 通常采用热处理合金钢制造，高频淬火
- 套筒 ② 采用无缝精密钢管制造，且表面经受硬化处理
- 链板 ③ 由高强度回火钢或表面硬化钢合金制成
- 滚子 ④ (若存在) 采用表面硬化钢制造，且表面经受硬化处理

行业及应用

木材加工
炼钢行业
汽车工业
批量货物运输
回收行业
其他

产品范围

- 符合DIN 8167要求的套筒输送链——M系列
- 带滚子的输送链——符合DIN 8167标准，MT系列
- 符合DIN 8168要求的空心销轴链——MC系列
- 符合DIN 8165要求的空心销轴链——FVC系列
- 符合BS 4116的套筒输送链 - Z系列 **新**
- 符合BS 4116的空心销轴输送链 - ZC系列 **新**
- 符合DIN 8165/DIN 8167要求的刮板链
- 造纸行业输送链
- 重型过渡链节输送链

In the context of the ELITE conveyor chain range, iwis supplies a wide variety of chains according to standards DIN 8165 and DIN 8167, as well as models manufactured according to British Standard with dimensions in inches, and highly diverse special versions. **Bush conveyor chains** are often used for conveying tasks involving long transport distances at relatively low speeds. We recommend iwis **Rotary chains** for “heavy-duty” applications. Rotary chains are fitted with cranked links, which gives them greater elasticity and the ability to withstand shock loads.

Since only a small minority of chains used in the industry are totally compliant with one specific standard, **ELITE conveyor chains are custom-made to a specific customer order** and consequently **fulfil a large number of special requirements.**

ELITE highlights

- Pins ① usually made of heat-treated alloy steel, induction-hardened
- Bushes ② made from seamless precision steel tube, case-hardened
- Link plates ③ made of high-strength tempered steel or case-hardened steel alloy
- Rollers ④ (where present) made of case-hardened steel, case-hardened

Industries and applications

- Wood processing
- Steelmaking industry
- Automotive industry
- Bulk goods transport
- Recycling industry
- ... and much more besides

Product range

- Bush conveyor chains according to DIN 8167 – M Series
- Carrier chains with rollers according to DIN 8167 – MT Series
- Hollow pin chains according to DIN 8168 – MC Series
- Hollow pin chains according to DIN 8165 – FVC Series
- Bush conveyor chains according to BS 4116 – Z series **NEW**
- Hollow pin conveyor chains according to BS 4116 – ZC series **NEW**
- Scraper chains according to DIN 8165/DIN 8167
- Conveyor chains for the paper industry
- Rotary chains



ELITE® 重型过渡链节输送链
Heavy-duty cranked-link transmission chains

重型过渡链节输送链主要开发用于涉及极重负载或极端恶劣操作条件的链条传动应用项目。该类型链条具有卓越的抗剧烈震动、抗磨损以及适应极端操作条件的能力，近年来在一系列应用项目中取得了越来越多的成功。重型过渡链节输送链的尺寸基本上均根据 ISO 3512、ANSI B 29.10 和 DIN 8182 进行了标准化。

重型过渡链节输送链一大显著优势在于：其链节全部采用同一模式制造，更容易根据要求加长或缩短。与标准滚链相比，其另一优势在于：所有链节耐磨水平均相同。

带过渡链节的 ELITE 重载输送链安装有开口销轴 ①。链板 ② 可采用自然硬化钢或特殊回火钢，具体根据目标机械负载确认。链条若需承受极高负载，则配有高频淬火销轴 ③，不但坚韧无比，而且还具有最高水平的表面硬度。

行业及应用

- 挖掘机
- 履带车辆
- 钻机
- 其他

Rotary chains were developed primarily for chain drive applications involving extremely heavy loads or particularly adverse operating conditions. Chains of this type are particularly resistant to violent shocks, wear and extreme operating conditions, and have consequently enjoyed increasing success in a wide range of applications in recent years. For the most part, rotary chain dimensions are standardized under ISO 3512, ANSI B 29.10 and DIN 8182.

One significant advantage of rotary chains is that their links are all constructed to the same pattern, making it easier to lengthen or shorten the chains when required. They have another advantage over standard roller chains – all links are subject to the same level of wear.

ELITE rotary chains with cranked links ① are fitted with cotter pins. The chain plates ② are available in naturally hardened steel or special tempered steel, according to the expected mechanical load. Chains subjected to extremely high loads are fitted with induction-hardened pins ③, making them not only extremely tough, but also giving them the highest possible level of surface hardness.

Industries and applications

- Excavators
- Caterpillar track vehicles
- Drilling rigs
- ... and much more besides

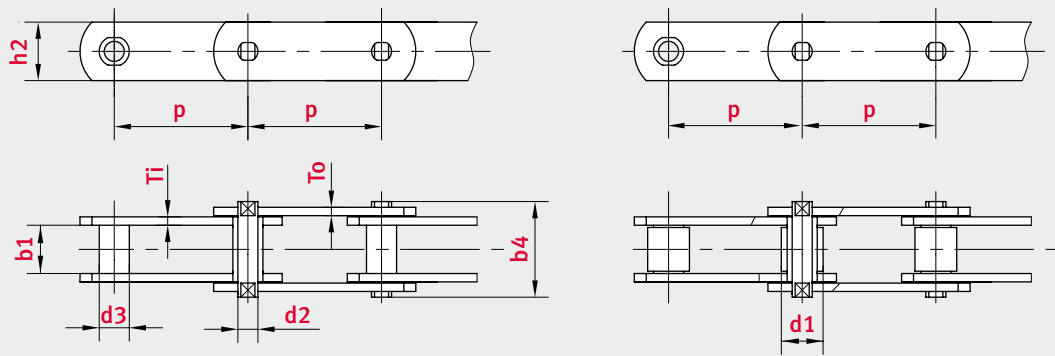




符合DIN 8167要求的套筒输送链——M系列

Bush conveyor chains according to DIN 8167 – M series

链条型号 Chain type	节距 Pitch								内节内宽 Width between inner plates	销轴直径 Pin \varnothing	销轴长度 Pin length	套筒外径 Bush \varnothing	小滚子直径 Small roller \varnothing	大滚子直径 Large roller \varnothing	法兰滚子法兰直径 Flanged roller \varnothing	链片高度 Plate height	链片厚度 Plate thickness	最小抗拉强度 Min. tensile strength	承压面积 Bearing area						
	p								最小值 b1	最大值 d2	最大值 b4	d3	最大值 d1	最大值 d4	d7	最大值 h2	Ti/To	FU	f						
	mm								mm	mm	mm	mm	mm	mm	mm	mm	mm	kN	cm ²						
M20	40	50	63	80	100	125	160		16	6	35	9	12,5	25	32	18	2,5	20	1,26						
M28		50	63	80	100	125	160	200	18	7	40	10	15	30	36	20	3	28	1,68						
M40			63	80	100	125	160	200	250	20	8,5	45	12,5	18	36	42	25	3,5	40	2,3					
M56			63	80	100	125	160	200	250	24	10	52	15	21	42	50	30	4	56	3,2					
M80				80	100	125	160	200	250	315	28	12	62	18	25	50	60	35	5	80	4,56				
M112				80	100	125	160	200	250	315	400	32	15	73	21	30	60	70	40	6	112	6,6			
M160					100	125	160	200	250	315	400	500	37	18	85	25	36	70	85	50	7	160	9,18		
M224						125	160	200	250	315	400	500	630	43	21	98	30	42	85	100	60	8	224	12,39	
M315							160	200	250	315	400	500	630	48	25	112	36	50	100	120	70	10	315	17	
M450								200	250	315	400	500	630	800	56	30	135	42	60	120	140	80	12	450	24

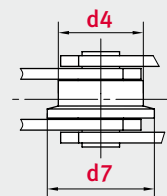
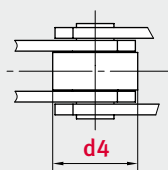
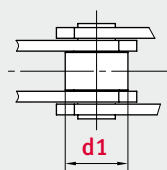
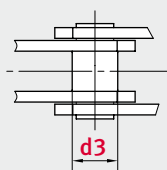


无滚子
without roller

S (小滚子型)
S (small roller type)

P (大滚子型)
P (large roller type)

F (带法兰滚子型)
F (with flanged roller type)

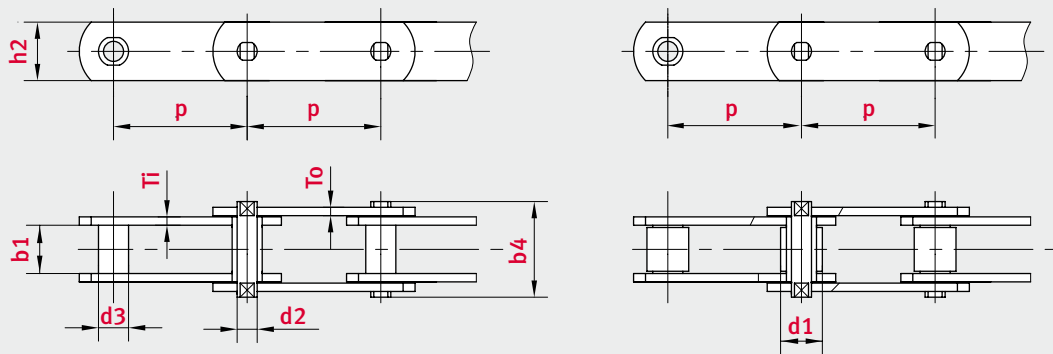




符合DIN 8165要求的套筒输送链——FV系列

Bush conveyor chains according to DIN 8165 – FV series

链条型号 Chain type	节距 Pitch								内节内宽 Width between inner plates	销轴直径 Pin Ø	销轴长度 Pin length	套筒外径Ø Bush Ø	小滚子直径 Small roller Ø	大滚子直径 Large roller Ø	法兰滚子法兰直径 Flanged roller Ø		链片高度 Plate height	链片厚度 Plate thickness	最小抗拉强度 Min. tensile strength	承压面积 Bearing area		
	p								最小值 b1	最大值 d2	最大值 b4	d3	最大值 d1	最大值 d4	d5	d7	最大值 h2	Ti/To	FU	f		
	mm								mm	mm	mm	mm	mm	mm	mm	mm	mm	mm	mm	kN	cm ²	
FV40	50	63	80	100	125				18	10	39	15	20	32	40	48	25	3	40	2,5		
FV63		63	80	100	125	160			22	12	48,5	18	26	40	50	60	30	4	63	3,7		
FV90		63	80	100	125	160	200	250	25	14	56,5	20	30	48	63	73	35	5	90	5		
FV112				100	125	160	200	250	30	16	66	22	32	55	72	87	40	6	112	6,8		
FV140				100	125	160	200	250	35	18	71,5	26	36	60	80	95	45	6	140	8,6		
FV180					125	160	200	250	315	45	20	92	30	42	70	100	120	50	8	180	12,3	
FV250						160	200	250	315	400	55	26	103,5	36	50	80	125	145	60	8	250	18,7
FV315						160	200	250	315	400	65	30	126,5	42	60	90	140	170	70	10	315	25,8

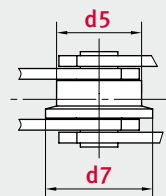
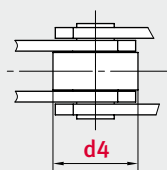
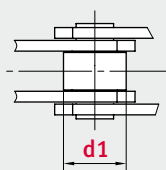
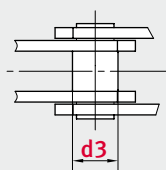


无滚子
without roller

S (小滚子型)
S (small roller type)

P (大滚子型)
P (large roller type)

F (带法兰滚子型)
F (with flanged roller type)

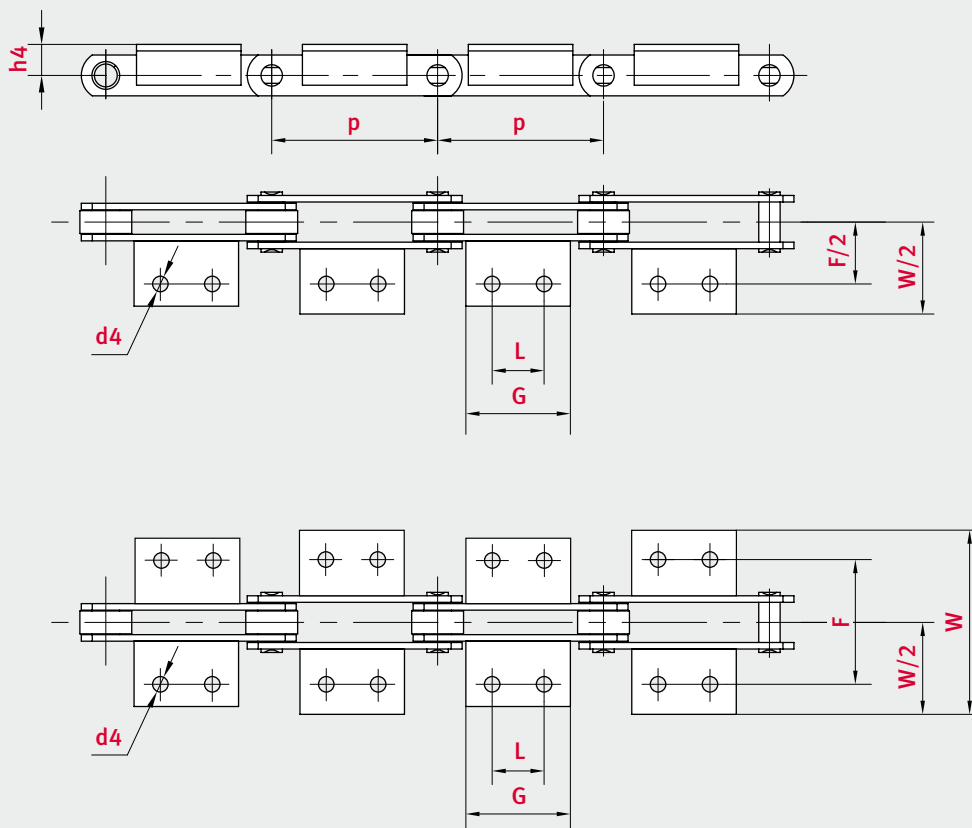




符合DIN 8167要求的套筒输送链附板——M系列

Attachments for bush conveyor chains according to DIN 8167 – M series

链条类型 Chain type	节距 Pitch	从链条中部到孔中部距离 Distance from middle of chain to middle of bore	从链条中部到外链板端部距离 Distance from middle of chain to end of outer plate	链条销轴中心至附板顶部 Middle of chain to top of attachment	孔直径 Bore diameter	孔中心间距 Distance from middle of bore to middle of bore	附板的长度 Length of attachment plate
	p mm	F mm	W mm	h_4 mm	d_4 mm	L mm	G mm
M20	40	54	80	16	6,6		14
M20	50	54	80	16	6,6		14
M20	63	54	80	16	6,6	20	35
M20	80	54	80	16	6,6	35	50
M28	50	64	94	20	9		20
M28	63	64	94	20	9		20
M28	80	64	94	20	9	25	45
M28	100	64	94	20	9	40	60





符合DIN 8167要求的套筒输送链附板——M系列

Attachments for bush conveyor chains according to DIN 8167 – M series

链条类型 Chain type	节距 Pitch	从链条中部到孔中 部距离 Distance from middle of chain to middle of bore	从链条中部到外链板端 部距离 Distance from middle of chain to end of outer plate	链条销轴中心至附 板顶部 Middle of chain to top of attachment	孔直径 Bore diameter	孔中心间距 Distance from middle of bore to middle of bore	附板的长度 Length of attachment plate
	p mm	F mm	W mm	h4 mm	d4 mm	L mm	G mm
M40	63	70	100	25	9		31
M40	80	70	100	25	9	20	45
M40	100	70	100	25	9	40	60
M40	125	70	100	25	9	65	85
M56	63	88	122	30	11		22
M56	80	88	122	30	11		30
M56	100	88	122	30	11	25	50
M56	125	88	122	30	11	50	75
M56	160	88	122	30	11	85	110
M80	80	96	130	35	11		30
M80	100	96	130	35	11	25	50
M80	125	96	130	35	11	50	75
M80	160	96	130	35	11	85	110
M80	200	96	130	35	11	125	150
M112	80	110	160	40	14		28
M112	100	110	160	40	14		40
M112	125	110	160	40	14	35	65
M112	160	110	160	40	14	65	95
M112	200	110	160	40	14	100	130
M160	100	124	170	45	14		30
M160	125	124	170	45	14	25	50
M160	160	124	170	45	14	50	80
M160	200	124	170	45	14	85	115
M160	250	124	170	45	14	145	175
M224	125	140	200	55	18		35
M224	160	140	200	55	18		60
M224	200	140	200	55	18	65	100
M224	250	140	200	55	18	125	160
M224	315	140	200	55	18	190	230
M315	160	160	230	65	18		35
M315	200	160	230	65	18	50	85
M315	250	160	230	65	18	100	140
M315	315	160	230	65	18	155	190
M315	400	160	230	65	18	155	205

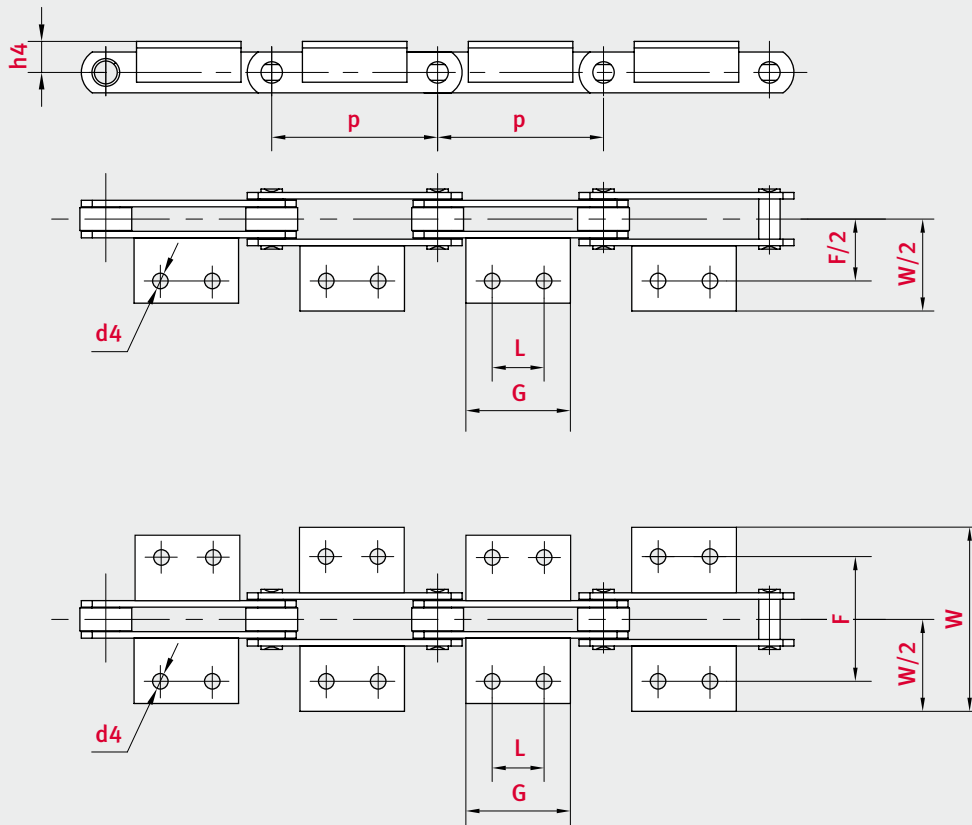
有关图纸，请参见第120页
For drawing, see page 120



符合DIN 8165要求的套筒输送链附板——FV系列

Attachments for bush conveyor chains according to DIN 8165 – FV series

链条类型 Chain type	节距 Pitch	从链条中部到孔中部距离 Distance from middle of chain to middle of bore	从链条中部到外链板端部距离 Distance from middle of chain to end of outer plate	链条销轴中心至附板顶部 Middle of chain to top of attachment	孔直径 Bore diameter	孔中心间距 Distance from middle of bore to middle of bore	附板的长度 Length of attachment plate
	p mm	F mm	W mm	h_4 mm	d_4 mm	L mm	G mm
FV40	50	50	81	20	6,6		20
FV40	63	50	81	20	6,6		31
FV40	80	50	81	20	6,6	25	45
FV40	100	50	81	20	6,6	30	50
FV40	125	50	81	20	6,6	30	60
FV63	63	68	100	30	9		40
FV63	80	68	100	30	9	25	45
FV63	100	68	100	30	9	30	50
FV63	125	68	100	30	9	40	60
FV63	160	68	100	30	9	50	70





符合DIN 8165要求的套筒输送链条——FV系列

Attachments for bush conveyor chains according to DIN 8165 – FV series

链条类型 Chain type	节距 Pitch	从链条中部到孔中部距离 Distance from middle of chain to middle of bore	从链条中部到外链板端部距离 Distance from middle of chain to end of outer plate	链条销轴中心至附板顶部 Middle of chain to top of attachment	孔直径 Bore diameter	孔中心间距 Distance from middle of bore to middle of bore	附板的长度 Length of attachment plate
	p mm	F mm	W mm	h4 mm	d4 mm	L mm	G mm
FV90	63	80	128	35	9		30
FV90	80	80	128	35	9	25	45
FV90	100	80	128	35	9	30	50
FV90	125	80	128	35	9	40	60
FV90	160	80	128	35	9	50	70
FV90	200	80	128	35	9	60	80
FV90	250	80	128	35	9	65	85
FV112	100	100	140	40	11	30	50
FV112	125	100	140	40	11	40	65
FV112	160	100	140	40	11	50	75
FV112	200	100	140	40	11	65	90
FV112	250	100	140	40	11	80	105
FV140	100	100	162	45	11	30	55
FV140	125	100	162	45	11	40	65
FV140	160	100	162	45	11	50	75
FV140	200	100	162	45	11	65	90
FV140	250	100	162	45	11	80	105
FV180	125	128	182	45	13	35	63
FV180	160	128	182	45	13	50	80
FV180	200	128	182	45	13	65	95
FV180	250	128	182	45	13	80	110
FV180	315	128	182	45	13	100	130
FV250	160	138	212	55	14	50	80
FV250	200	138	212	55	14	65	95
FV250	250	138	212	55	14	80	110
FV250	315	138	212	55	14	100	130
FV250	400	138	212	55	14	100	130
FV315	160	170	260	60	14		50
FV315	200	170	260	60	14	65	95
FV315	250	170	260	60	14	80	110
FV315	315	170	260	60	14	100	130
FV315	400	170	260	60	14	100	130

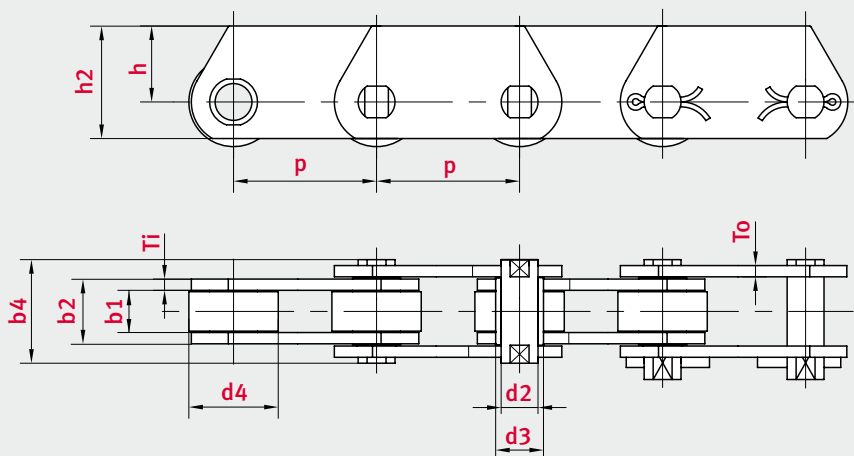
有关图纸，请参见第122页
For drawing, see page 122



符合DIN 8167要求的带滚子深链节链——MT系列

Roller deep link chains according to DIN 8167 – MT series

链条型号	节距										内节内宽	销轴直径	套筒外径 \varnothing	滚子直径	销轴长度	链片高度	链片厚度	最小抗拉强度	承压面积			
Chain type	Pitch										Width between inner plates	Pin \varnothing	Bush \varnothing	Roller \varnothing	Pin length	Plate height	Plate thickness	Min. tensile strength	Bearing area			
	p										最小值 b_1	最大值 d_2	d_3	最大值 d_4	最大值 b_4	最大值 h_2	h	T_i/T_o	F_U	f		
	mm										mm	mm	mm	mm	mm	mm	mm	mm	kN	cm ²		
MT20	40	50	63	80	100						16	6	9	25	35	25	16	2,5	20	1,3		
MT28		50	63	80	100	125					18	7	10	30	40	30	20	3	28	1,8		
MT40			63	80	100	125	160				20	8,5	12,5	36	45	35	22,5	3,5	40	2,4		
MT56			63	80	100	125	160				24	10	15	42	52	45	30	4	56	3,3		
MT80				80	100	125	160	200			28	12	18	50	62	50	32,5	5	80	4,7		
MT112				80	100	125	160	200			32	15	21	60	73	60	40	6	112	6,9		
MT160					100	125	160	200	250		37	18	25	70	85	70	45	7	160	9,3		
MT224						125	160	200	250	315	43	21	30	85	98	90	60	8	224	12,6		
MT315							160	200	250	315	400	48	25	36	100	112	100	10	315	17,5		
MT450								200	250	315	400	500	56	30	42	120	135	120	80	12	450	24,6

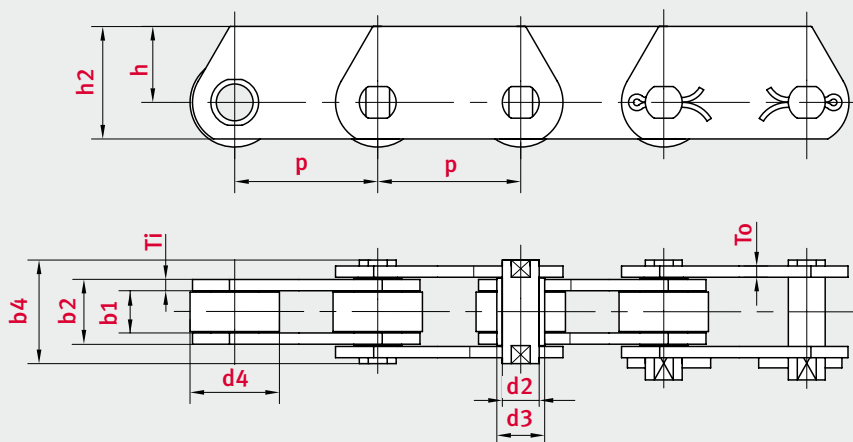




符合DIN 8165要求的带滚子深链节链——FV系列

Roller deep link chains according to DIN 8165 – FVT series

链条型号	节距								内节内宽	销轴直径	套筒外 径 \varnothing	滚子直径	销轴长度	链片高度		链片厚度	最小抗拉 强度	承压面积	
Chain type	Pitch								Width between inner plates	Pin \varnothing	Bush \varnothing	Roller \varnothing	Pin length	Plate height		Plate thickness	Min. tensile strength	Bearing area	
	p								最小值 b1	最大值 d2	d3	最大值 d4	最大值 b4	最大值 h2	h	Ti/To	FU	f	
	mm								mm	mm	mm	mm	mm	mm	mm	mm	mm	kN	cm ²
FVT40	50	63	80	100	125				18	10	15	32	39	35	22,5	3	40	2,5	
FVT63		63	80	100	125	160			22	12	18	40	48,5	40	25	4	63	3,7	
FVT90		63	80	100	125	160	200	250	25	14	20	48	56,5	45	27,5	5	90	5,1	
FVT112				100	125	160	200	250	30	16	22	55	66	50	30	6	112	6,8	
FVT140				100	125	160	200	250	35	18	25	60	71,5	60	37,5	6	140	8,6	
FVT180					125	160	200	250	45	20	30	70	92	70	45	8	180	12,3	
FVT250						160	200	250	55	26	36	80	103,5	80	50	8	250	18,7	
FVT315						160	200	250	65	30	42	90	126,5	90	55	10	315	25,8	

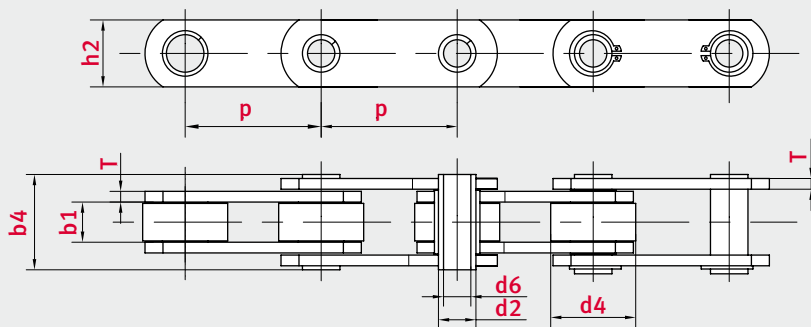




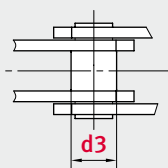
符合DIN 8168要求的空心销轴输送链——MC系列

Hollow pin conveyor chains according to DIN 8168 – MC series

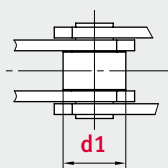
链条型号 Chain type	节距 Pitch								内节内宽 Width between inner plates	销轴直径 Pin Ø			滚子 Roller			销轴长度 Pin length	链片高度 Plate height	链片厚度 Plate thickness	最小抗拉强度 Min. tensile strength	承压面积 Bearing area		
	p mm									最小值 b1 mm	最大值 d2 mm	d6 min. mm	d3 mm	小滚子直径 Small roller Ø	大滚子直径 Large roller Ø						法兰滚子法兰直径 Flanged roller Ø	
MC28	63	80	100	125	160					20	13	8,2	17,5	25	36	45	38,5	25	3,5	28	3,6	
MC56		80	100	125	160	200	250			24	15,5	10,2	21	30	50	60	47,5	35	4	56	5,1	
MC112			100	125	160	200	250	315		32	22	14,3	29	42	70	85	64,5	50	6	112	9,9	
MC224					160	200	250	315	400	500	43	30	20,3	41	60	100	120	85,5	70	8	224	18,6



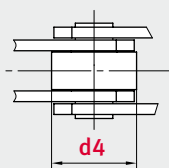
无滚子
without roller



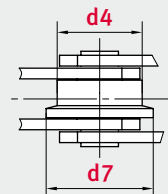
S (小滚子型)
S (small roller type)



P (大滚子型)
P (large roller type)



F (带法兰滚子型)
F (with flanged roller type)

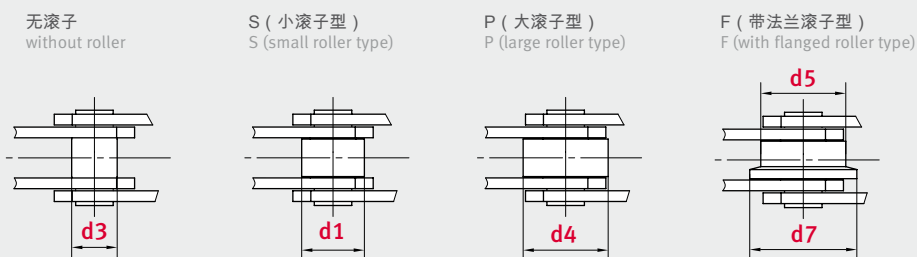
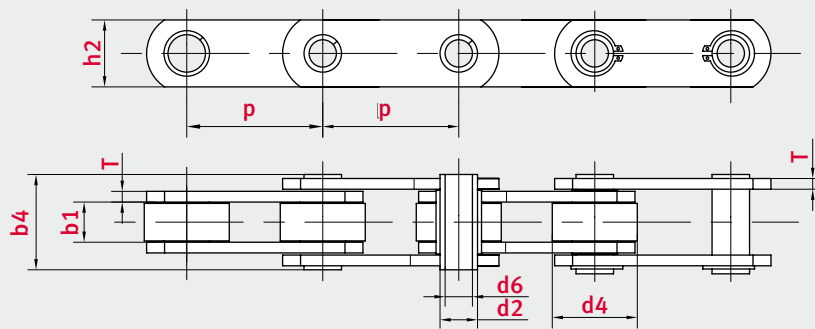




符合DIN 8165要求的空心销轴输送链——FVC系列

Hollow pin conveyor chains according to DIN 8165 – FVC series

链条型号 Chain type	节距 Pitch								内节内宽 Width between inner plates		销轴直径 Pin Ø		套筒外径 Ø Bush Ø		滚子 Roller				销轴长度 Pin length	链片高度 Plate height	链片厚度 Plate thickness	最小抗拉强度 Min. tensile strength	承压面积 Bearing area
	p mm								最小值 b1 mm	最大值 d2 mm	d6 min. mm	d3 mm	小滚子直径 Small roller Ø	大滚子直径 Large roller Ø	法兰滚子法兰直径 Flanged roller Ø		最大值 b4 mm	最大值 h2 mm					
FVC63	63	80	100	125	160					22	12	8	18	26	40	50	63	50,5	30	4	46	3,6	
FVC90	63	80	100	125	160	200	250			25	14	10	20	30	48	63	78	56,5	35	5	73	4,9	
FVC112			100	125	160	200	250			30	16	11	22	32	55	72	90	63	40	6	90	6,2	
FVC140			100	125	160	200	250			35	18	12	26	36	60	80	100	68,5	45	6	110	8,5	
FVC180				125	160	200	250	315		45	20	14	30	42	70	100	125	88	50	8	145	12,2	
FVC250					160	200	250	315	400	55	26	18	36	50	80	125	155	103,5	60	8	215	18,5	
FVC315					160	200	250	315	400	65	30	20	42	60	90	140	175	121,5	70	10	295	25,5	

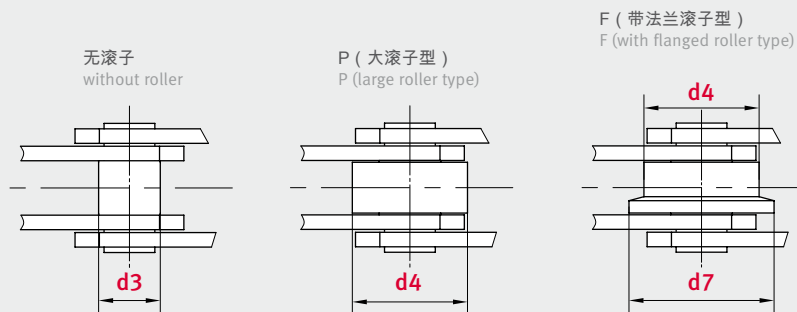
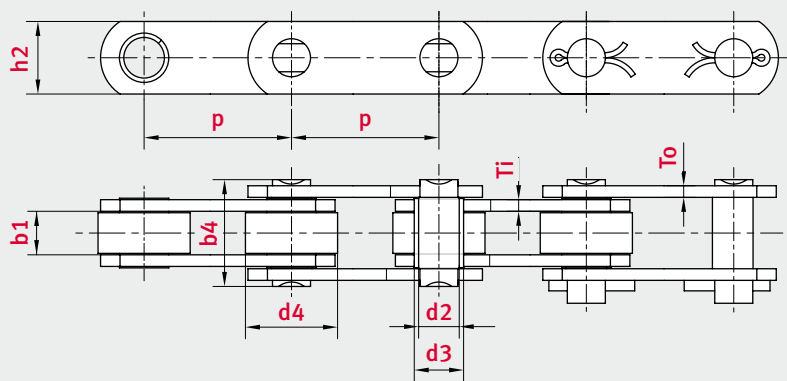




符合BS 4116的套筒输送链——Z系列

Bush conveyor chains according to BS 4116 – Z series

链条型号	节距							内节内宽	销轴直径	套筒外径 \varnothing	大滚子直径	法兰滚子法兰直径	销轴长度	链片高度	链片厚度	最小抗拉强度	承压面积	
Chain type	Pitch							Width between inner plates	Pin \varnothing	Bush \varnothing	Large roller \varnothing	Flanged roller \varnothing	Pin length	Plate height	Plate thickness	Min. tensile strength	Bearing area	
	p							最小值 b1	最大值 d2	最大值 d3	最大值 d4	d7	最大值 b4	h2	Ti/To	FU	f	
	mm							mm	mm	mm	mm	mm	mm	mm	mm	mm	kN	cm ²
Z40	50,8	63,5	76,2	88,9	101,6	127	152,4	15	14	17	31,75	40	40,5	25	4	40	3,2	
Z100	76,2	88,9	101,6	127	152,4	177,8	203,2	19	19	23	47,5	60	50,5	40	5/4	100	5,5	
Z160	101,6	127	152,4	177,8	203,2	228,6	254,0	26	26,9	33	66,7	82	63,5	50	7/5	156	10,7	
Z300	152,4	177,8	203,2	254,0	304,8	-	-	38	32	38	88,9	114	94	60	10/8	300	18,5	

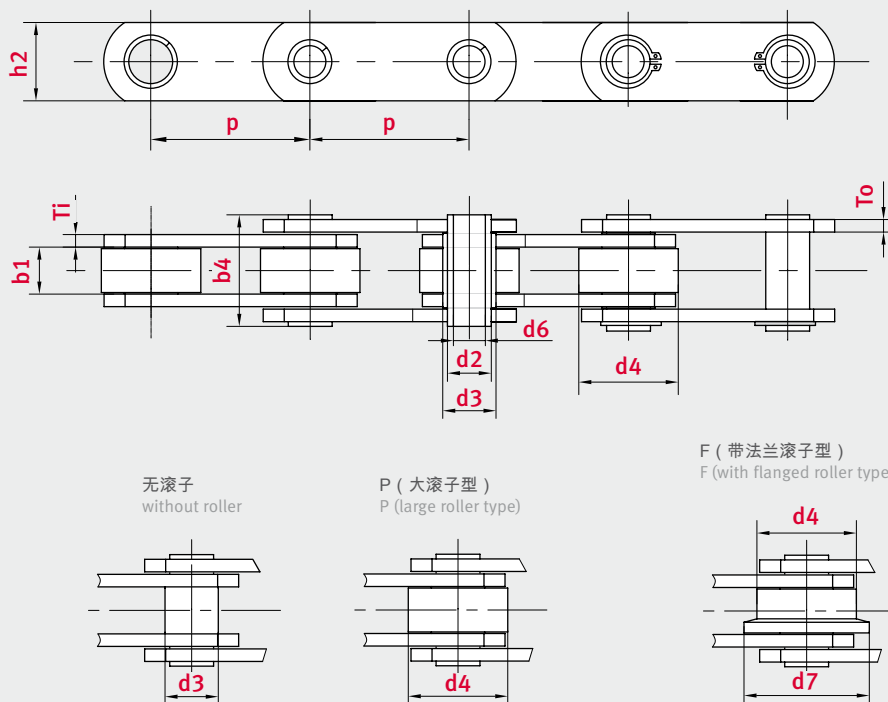




符合DIN 4116的空心销轴输送链 - ZC系列

Hollow pin conveyor chains according to BS 4116 – ZC series

链条型号	节距							内节内宽	销轴直径			套筒外	大滚子	法兰滚子	销轴长	链片高	链片厚	最小抗拉	承压
Chain type	Pitch							Width between inner plates	Pin Ø			Bush Ø	Large roller Ø	Flanged roller Ø	Pin length	Plate height	Plate thickness	Min. tensile strength	Bearing area
	p							最小值 b1	最大值 d2	d6 min.	最大值 d3	最大值 d4	d7	最大值 b4	h2	Ti/To	FU	f	
	mm							mm	mm	mm	mm	mm	mm	mm	mm	mm	mm	kN	cm ²
ZC21	38,1	50,8	63,5	76,2	-	-	-	12,7	9	6,5	11	25,4		27,5	18	2,5	21	1,6	
ZC40	50,8	63,5	76,2	88,9	101,6	127,0	152,4	15	14	10,2	17	31,75	40	37,7	25	4	40	3,2	
ZC60	76,2	88,9	101,6	127,0	152,4	177,8	203,2	19	19	13,2	23	47,5	60	46	40	5/4	60	4,9	
ZC150	101,6	127,0	152,4	177,8	203,2	228,6	254,0	26	26,9	20,2	33	66,7	82	60,5	50	7/5	150	6,2	
ZC300	152,4	177,8	203,2	254,0	304,8	-	-	38	32	23,1	38	88,9	114	85	60	10/8	300	8,5	



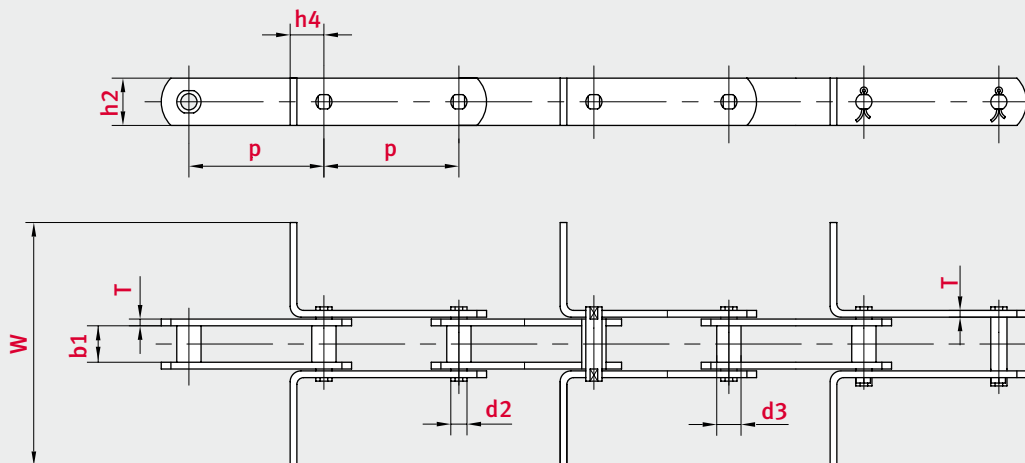


符合DIN 8165和DIN 8167要求的刮板输送链

Scraper conveyor chains according to DIN 8165 and DIN 8167

链条型号	节距					内节内宽	销轴直径	套筒外径 \varnothing	内链板高度	链片厚度	销轴中心到刮板顶部距离	刮板长度	最小抗拉强度
Chain type	Pitch					Width between inner plates	Pin \varnothing	Bush \varnothing	Plate height	Plate thickness	Pin to top of scraper	Length of scraper	Min. tensile strength
	p mm					最小值 $b1$ mm	最大值 $d2$ mm	$d3$ mm	最大值 $h2$ mm	T mm	$h4$ mm	W mm	FU kN
MR系列 / DIN 8167													
MR 56	100	125				24	10	15	30	4	20		56
MR 80	100	125	160			28	12	18	35	5	25		80
MR 112	100	125	160			32	15	21	40	6	35		112
MR 160	100	125	160			37	18	25	50	7	40		160
MR 224		125	160	200		43	21	30	60	8	44		224
MR 315			160	200	250	48	25	36	70	10	50		315
FVR系列 / DIN 8165													
FVR 40	80	100	125			18	10	15	25	3	20		40
FVR 63		100	125	160		22	12	18	30	4	25		63
FVR 90		100	125	160		25	14	20	35	5	30		90
FVR 112		100	125	160		30	16	22	40	6	35		112
FVR 140			125	160	200	35	18	26	45	6	38		140
FVR 180			125	160	200	45	20	30	50	8	44		180
FVR 250				160	200	55	26	36	60	8	50		250

请在订单中明确尺寸要求
Please specify dimension with the order

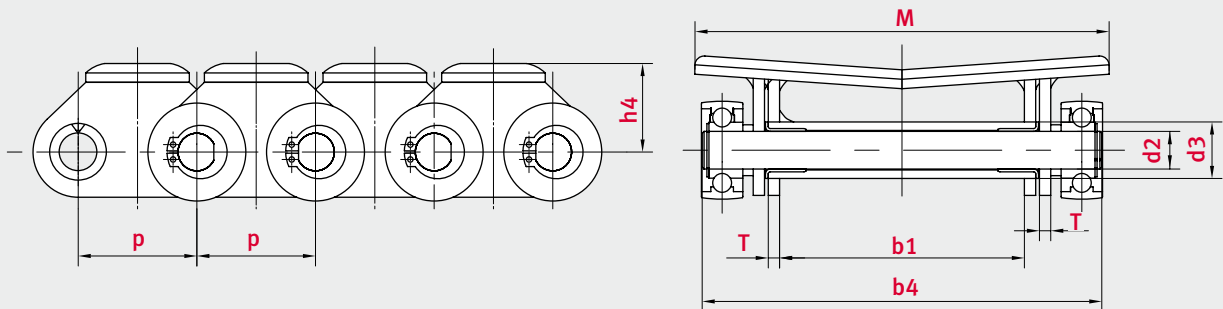




造纸业输送链

Conveyor chains for the paper industry

链条型号 Chain type	节距 Pitch	套筒外径 \varnothing Bush \varnothing	内节内宽 Width between inner plates	销轴直径 Pin \varnothing	销轴长度 Pin length	链片厚度 Plate thickness	附板尺寸 Attachment dimensions		最小抗拉强度 Min. tensile strength
	p mm	d3 mm	最小值 b1 mm	最大值 d2 mm	最大值 b4 mm	T mm	M mm	h4 mm	FU kN
63PF-220	63	30	130	20	213,2	6	220	50	160
63PF-300	63	30	210	20	293	6	300	50	160
63PF-320	63	30	230	20	313	6	320	50	160

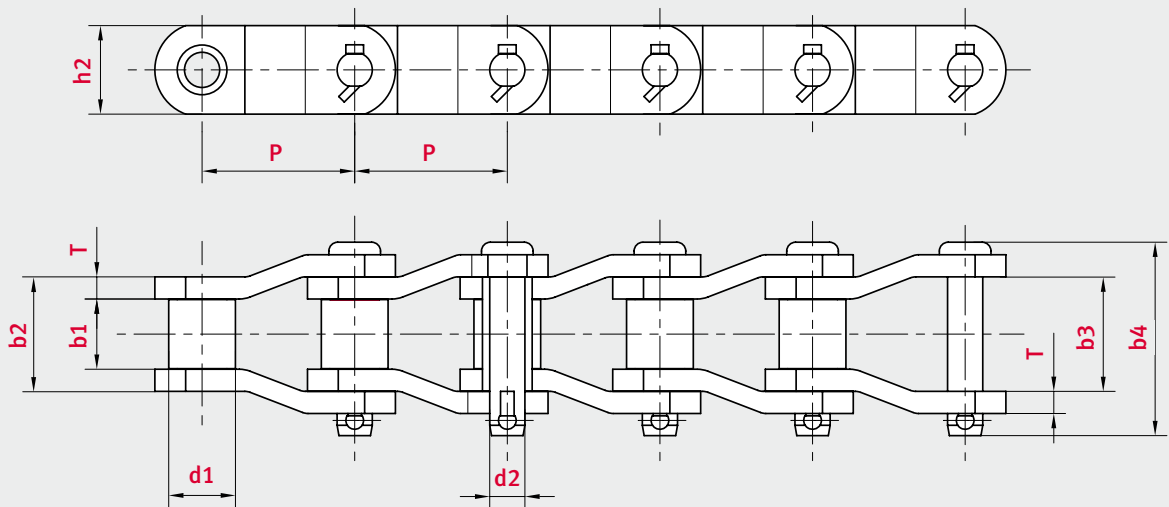




符合DIN 8182 / 8183和ANSI 29.10要求的重型过渡链节输送链

Heavy-duty cranked-link transmission chains according to DIN 8182 / 8183 and ANSI 29.10

链条型号 Chain type	节距 Pitch	内节内宽 Width between inner plates	内节外宽 Total width of inner link	外节外宽 Total width of outer link	滚子直径 Roller diameter	销轴直径 Pin diameter	销轴长度 Pin length	链片厚度 Plate thickness	内链板高度 Height of inner plate	最小抗拉强度 Min. tensile strength	每米重量 Weight per meter	承压面积 Bearing area
ISO	p mm	最小值 b1 mm	最大值 b2 mm	b3 mm	最大值 d1 mm	最大值 d2 mm	最大值 b4 mm	T mm	最大值 h2 mm	F min. kN	kg/m	cm ²
RO 3	78,1	36,9	55,2	55,4	31,75	16	94,8	8	40	271	11	8,8
RO 3b	77,9	38,5	59,2	59,3	41,28	19,05	103,4	10	60	400	19	11,2
RO 3c	78,1	36,9	57,2	57,4	31,75	16,5	95,3	9,5	45	298	12	9,8
RO 3,5	88,9	36,9	64	64,4	44,45	22,25	117,6	13,5	60	556	25,5	14,2
RO 4	103,2	48	76,2	76,8	44,45	22	123,5	13	55	476	23	16,7
RO 4b	103,45	47,6	78,28	78,41	45,24	23,85	133	15	60	650	29	18,6
RO 4,5	114,3	50,8	81,0	81,58	57,15	27,78	136,6	14,3	76,5	894	32,9	22,5
RO 5b	127	68,3	102,39	102,51	63,5	31,78	168,1	17	90	1.100	54	32,5





链条工具与链条拉拔器
Chain tools and chain pullers

iwiTools

用于轻松拆装和铆接滚子链和板式链

Chain tools for breaking roller and leaf chains

MULTI.PRESS 150-10

坚固耐用的MULTI.PRESS 150-10是iwis现有链条裁切工具系列的进一步发展。由于全封闭的液压泵可确保设备运行时始终保持高压并易于分离，MULTI.PRESS 150-10非常适用于专业使用

亮点

- MULTI.PRESS 150-10标准用于分离3/4到2英寸大小的滚子链和板式链
- 如果需要，可以提供用于较小和较大尺寸的工具套件
- 根据要求，还可以提供用于特殊链条和套筒输送链的工具套件
- 与其他固定工具不同，MULTI.PRESS 150-10还额外配备了移动单元。这使得可以直接在生产线上方便地进行水平使用。新的集成链条台使得可以可靠地支持水平操作中的各种链条尺寸。

我们可以裁切以下型号的链条

滚子链

- 12B-1/ANSI 60-1 至 12B-3/ANSI 60-3
- 16B-1/ANSI 80-1 至 16B-3/ANSI 80-3
- 20B-1/ANSI 100-1 至 20B-2/ANSI 100-2
- 24B-1/ANSI 120-1 至 24B-2/ANSI 120-2
- 28B-1/ANSI 140-1
- 32B-1/ANSI 160-1

板式链

- LH0822/BL422 至 LH0888/BL488
- LH1022/BL522 至 LH1088/BL588
- LH1222/BL622 至 LH1288/BL688
- LH1622/BL822 至 LH1688/BL888
- LH2022/BL1022 至 LH2088/BL1088
- LH2422/BL1222 至 LH2466/BL1266
- LH2822/BL1422 至 LH2866/BL1466
- LH3222/BL1622 至 LH3244/BL1644

The robust MULTI.PRESS 150-10 is a further development of the existing range of iwis fixed chain breaking tools. As the fully enclosed hydraulic pump ensures constantly high pressure and easy separation while the device is in operation, MULTI.PRESS 150-10 is ideal for professional use.

Highlights

- MULTI.PRESS 150-10 is used as standard for separating roller and flyer chains in sizes 3/4 to 2".
- Tool sets for smaller and larger sizes are available if needed.
- Tool sets for special chains and bush conveyor chains are also possible upon request.
- In contrast to other stationary tools, MULTI.PRESS 150-10 additionally has a mobile unit. This allows easy horizontal use directly at the production line.

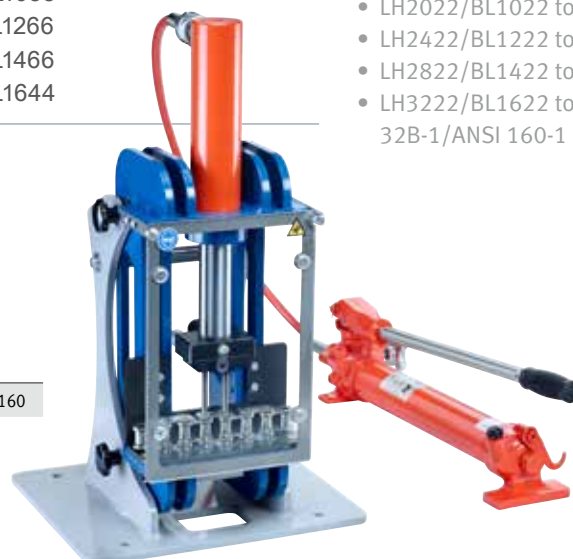
We can break these chains

Roller chains:

- 12B-1/ANSI 60-1 to 12B-3/ANSI 60-3
- 16B-1/ANSI 80-1 to 16B-3/ANSI 80-3
- 20B-1/ANSI 100-1 to 20B-2/ANSI 100-2
- 24B-1/ANSI 120-1 to 24B-2/ANSI 120-2
- 28B-1/ANSI 140-1
- 32B-1/ANSI 160-1

Leaf chains:

- LH0822/BL422 to LH0888/BL488
- LH1022/BL522 to LH1088/BL588
- LH1222/BL622 to LH1288/BL688
- LH1622/BL822 to LH1688/BL888
- LH2022/BL1022 to LH2088/BL1088
- LH2422/BL1222 to LH2466/BL1266
- LH2822/BL1422 to LH2866/BL1466
- LH3222/BL1622 to LH3244/BL1644
- 32B-1/ANSI 160-1



料号 Material No.	节距 Pitch
81050828	12B-32B, ANSI 60 - ANSI 160

iwisTools

适用于滚子链和板式链的链条工具

Chain tools for breaking roller and leaf chains

JWIS链条拆分工具

JWIS Chain Breaker

伊维氏工具非常便于在车间使用，因为它们可以按照ISO 606 (DIN 8187/8188) 和我公司标准将滚子链割分成不同长度。

iwis tools are very handy for the workshop as they make it easy to cut roller chains made to ISO 606 (DIN 8187/8188) and to our works standard in different lengths.

链条拆分工具可以夹在老虎钳中或用螺丝固定在工作台上。将工具定位在工作台边缘，以提供足够的空间，使控制杆可以完全向下摆动。用于沿左右方向放置链条的平面使长链条处理更方便。

This chain breaker can be clamped in a vice or screwed onto a workbench. Position it at the front edge of the bench to provide enough space for the lever to swing down fully. Surfaces to rest the chain to the left and right will make it easier to handle long chains.

旋转头有五套销轴压出器工具，其中每一个都标有对应链条尺寸。正确设置后，带有带肩轴销的链条和带有顺直轴销的链条都可以进行拆分。

The rotating head holds five sets of ejector tools, each of which is marked with the respective size of chain. If set correctly, both chains with shouldered and chains with straight pins can be broken.

可使用 JWIS 链条拆分工具对以下尺寸链条的长度进行划分：

- 06B至12B
- 08A至12A

The following chain sizes can be cut in lengths by the JWIS Chain Breaker:

- 06B to 12B
- 08A to 12A



通用链条销轴拆除器H

Universal chain pin extractor H

类型 Type	节距 Pitch	滚子链 Roller chains
CT 101	1/4" - 3/4"	05B-1 - 12B-1, ANSI 25-1 - 60-1
CT 102	3/4" - 1 1/4"	12B-1 - 20B-1, ANSI 60-1 - 100-1
CT 103	1 1/4" - 2 1/4"	20B-1 - 32B-1, ANSI 100-1 - 180-1



将链条夹在拆除器夹爪之间，然后旋转拆除器手柄，逐一压出销轴。

The chain is clamped between the extractor jaws and the pins are then pressed out one by one by rotating the extractor handle.

iwTools

适用于滚子链，板式链和倍速链的裁切工具

Chain tools for breaking roller, leaf and accumulation chains

CT 25-120型

简单的断链工具，可现场使用，质量可靠。对于LL/AL板式链，仅在有限程度上适用。适用于节距从6.35毫米到1 1/2英寸的滚子链。

Simple breaking tools for roller, leaf and accumulation chains in solid quality to use on site. For LL/AL leaf chains suitable only to a limited extent. Available for roller, leaf and accumulation chains with a pitch from 6.35 mm up to 1 1/2".



伊维氏链条号 Type	节距 Pitch	滚子链 Roller chains	板式链 Leaf chains
单排			
CT 25	6,35 mm	05 B-1, ANSI 25-1	-
CT 35/40	3/8" - 1/2"	06 B-1, 08 B-1, ANSI 35-1, ANSI 40-1	LL 0822-44, AL 322-44, AL 422-44
CT 50 S	5/8"	10 B-1, ANSI 50-1	LL 1022-66, AL 522-44
CT 60 S	3/4"	12 B-1, ANSI 60-1	LL 1222-44, AL 622
CT 80 S	1"	16 B-1, ANSI 80-1	LL 1622-44, AL 822-44, BL 622-644
CT 100 S	1 1/4"	20 B-1, ANSI 100	LL 2022-44, AL 1022, BL 822-23
CT 120 S	1 1/2"	ANSI 120	LL 2022-44, AL 1022-44, BL 822-44

双排			
CT 35/40 W	3/8" - 1/2"	06B-2, 08B-2, ANSI 35-2, ANSI 40-2	LL0866; AL 366; AL 466
CT 50 W	5/8"	10 B-2, ANSI 50-2	LL 1088, AL 566
CT 60 W	3/4"	12 B-2, ANSI 60-2	LL 1266-88, AL 666-888
CT 80 W	1"	16 B-2, ANSI 80-2	AL 866, BL 646-88

链条拉拔器

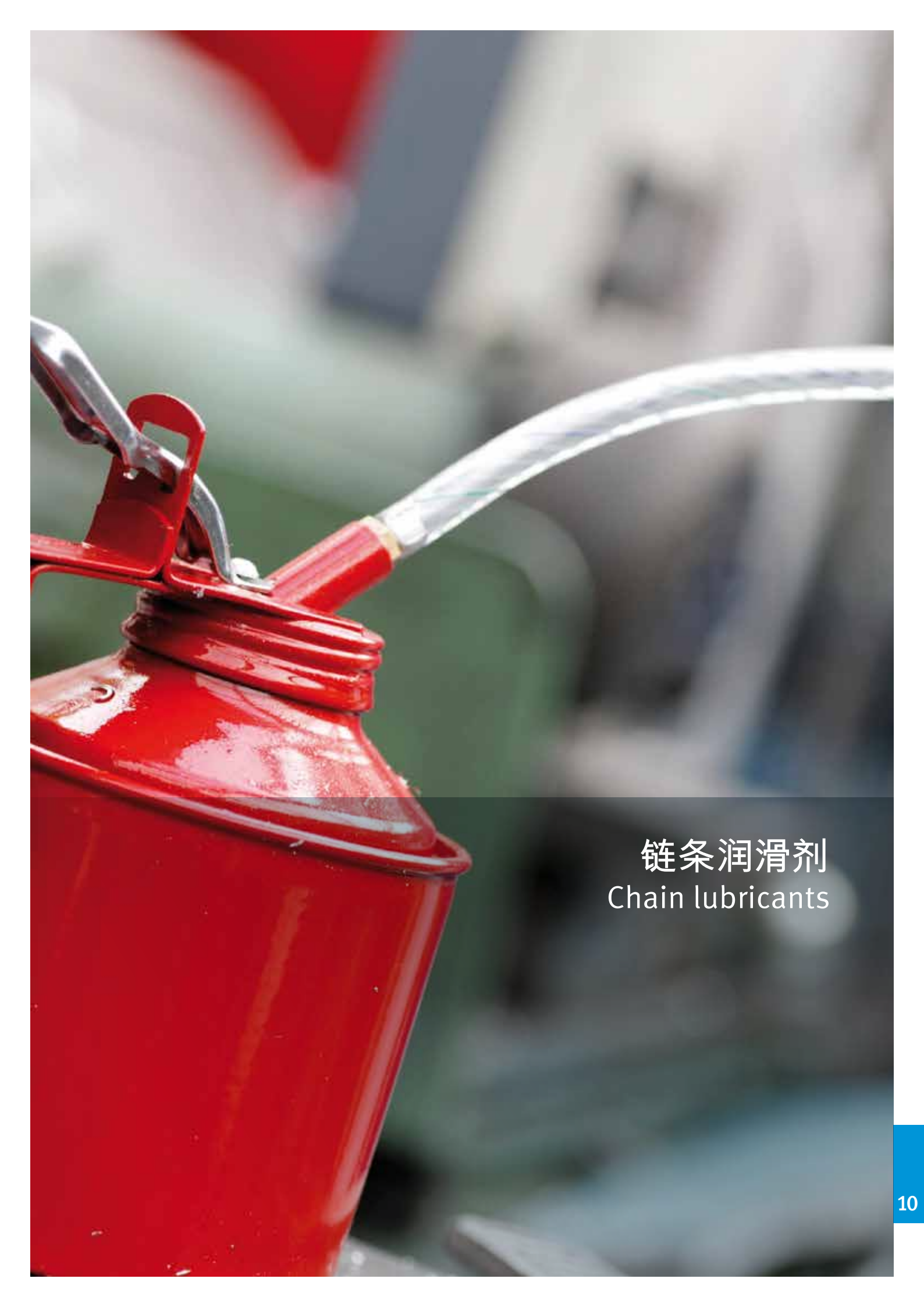
Chain pullers

伊维氏链条拉拔器有助于将连接链节插入开口的滚子链。旋转螺丝将链条的开口的两端朝彼此拉动，以便可以安装连接链节。快速便捷。

iwis chain pullers facilitate the insertion of connecting links into open roller chains. Turning the screws pulls the open ends of the chain towards each other so that the connecting link can be fitted. Quick and easy.



伊维氏链条号 Type	节距 Pitch
Nr 35-60	3/8" - 3/4"
Nr 60-100	3/4" - 1 1/4"
Nr 100-200	1 1/4" - 2 1/2"



链条润滑剂
Chain lubricants

定期润滑-打造您的优势

Regular lubrication – your advantages

定期进行维护和润滑对保证链条传动系统低磨损和较长使用寿命具有十分重要的意义。充分有效的润滑可显著提高链条使用寿命。

链条传动系统的维护和润滑频率由系统的操作条件确定。选择正确的润滑剂和适当的润滑方法可以保证有效减少磨损，提供充分保护，使链条免受磨损和其它方面的损耗。

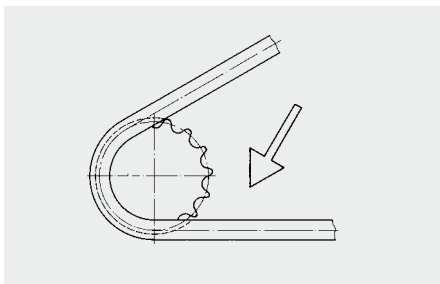
Regular maintenance and lubrication are essential to ensure low wear and a long service life for a chain drive. Sufficient and effective lubrication can dramatically improve the lifespan of a chain. The maintenance and lubrication frequency of the chain drive are determined by the operating conditions of the system. The selection of the correct lubricant and the appropriate method of lubrication guarantee good reduction of wear, sufficient protection from corrosion and optional damping characteristics.

润滑方法

Lubrication methods

手动润滑

Manual lubrication

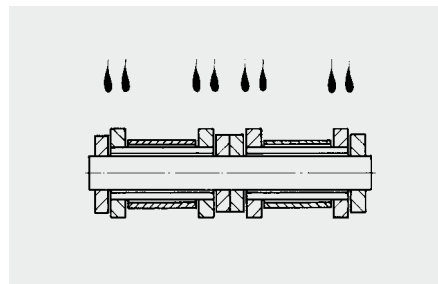


慢速运行的链条传动系统可使用油漆刷、油罐或喷雾罐进行润滑。我们建议使用经过验证有效的 VP6-Kombi superplus 喷雾剂。

Using a paint brush, oil can or spray can for slow-running chain drives. We recommend the proven VP6-Kombi superplus spray.

滴油润滑

Drip lubrication

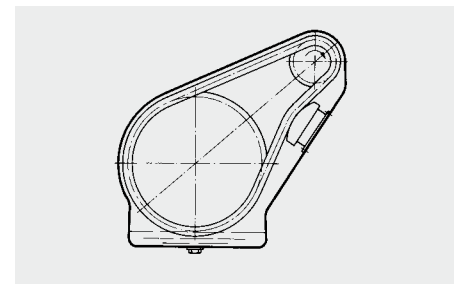


用滴液式注油器、自动润滑设备或集中润滑系统对中等速度链条进行润滑。

Using drip oilers, automatic lubricant feed or central lubrication units at medium chain speeds.

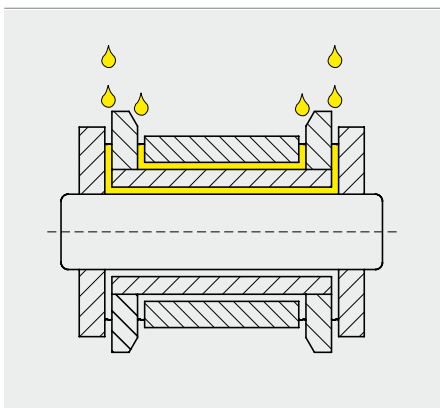
油浴润滑

Oil bath lubrication



使用封闭链盒或者在必要时外加离心盘润滑快速运转的链条传动装置。

Using enclosed chain boxes and, if necessary, additional centrifugal disc for fast-running chain drives.



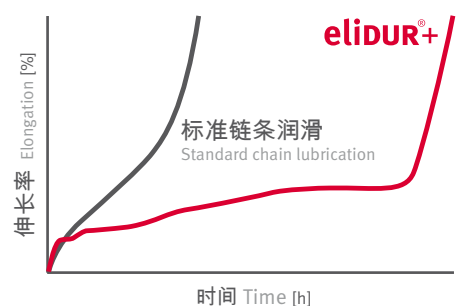
请注意：

润滑剂产品必须能够渗透进入链条的轴承区域。为了保证这一点，必须注意将润滑剂涂抹到内外链板之间的空隙中。

Please note:

The lubricant product must be able to penetrate into the bearing area of the chain. To guarantee this the lubricant must be applied deliberately to the gap between the inner and outer plates.

12B-1型ELITE滚子链的链伸长性能 Chain elongation performance of ELITE roller chain 12B-1



elidUR[®]+ 优质高科技初始润滑剂 Premium high-technological initial lubricant

elidUR[®]+ 是一种出色的润滑剂和防腐剂，专门用于滚子链。使用时先加热至液体状态，并使其冷却至室温，呈现出类似油脂的稠度。

elidUR[®]+ 包含极限压力、抗磨和防腐蚀添加剂。它在四方形测试仪上提供了出色的性能。与标准润滑相比，其耐磨性了 **高300%**。

产品优势：

- 与标准预润滑链条相比，链条拉伸率最小
- 与传统长期润滑相比，耐磨寿命大幅延长
- 卓越的粘合性能
- 出色的腐蚀保护
- 降噪特性
- 与其它链条润滑剂实现良好兼容

技术参数：

颜色/外观	透明的淡黄色油脂
粘度	100°C时大约52.5 mm ² /s
液滴熔点	84°C
滴落点	76°C
工作温度	-5°C至+70°C

elidUR[®]+ is an excellent lubricant and corrosion preventive designed for use on roller chains. It is applied in an heated liquid state and allowed to cool to room temperature where it assumes a grease-like consistency.

elidUR[®]+ contains extreme pressure, antiwear and corrosion preventive additives. It provides excellent performance on the Four Square Tester. In comparison to standard lubrications the wear resistance is **up to 300 %** higher.

Product advantages:

- Minimum chain elongation compared to standard prelubricated chains
- Significant extension of wear lifespan compared to conventional, long-term lubricated chains
- Excellent adhesion properties
- Outstanding corrosion protection
- Noise-reducing properties
- Good compatibility with other chain lubricants

Technical data:

Colour/appearance	Clear, light amber grease
Viscosity	Approx. 52.5 mm ² /s at +100 °C
Drop melting point	+84 °C
Dropping point	+76 °C
Operating temperature	-5 °C to +70 °C

iwiDUR[®] 符合FDA-H1分类的新一代食品级蜡润滑

iwiDUR (EL-6) 是一种链条润滑蜡，适用于iwis特殊的热浸浴方式。该产品专为链条的初始润滑而开发，因此具有出色的耐磨性和良好的腐蚀防护性能。除食品工业外，iwiDUR还用于许多其他应用中，例如木材加工业。

技术参数：

结构	糊状
颜色	米色
粘度	100°C时大约125 mm ² /s
密度	约为0.89
工作温度	-25°C至80°C (变化状态)

iwiDUR[®] New generation of food-grade wax lubrication with FDA-H1 classification

iwiDUR (EL-6) is a chain lubricating wax applied to the chain link in special hot immersion baths at iwis. This product was developed specifically for the initial lubrication of chains and consequently offers excellent wear resistance and good corrosion protection. Besides the food industry, iwiDUR is also used in many other applications such as the woodworking industry for example.

Technical data:

Structure	Paste
Colour	Beige
Viscosity	Approx. 125 mm ² /s at +100 °C
Density	Approx. 0.89
Operating temperature	-25 °C to approx. +80 °C (changes state)

各应用项目附加高性能初始润滑剂

Additional high-performance initial lubricants for every application

EL-1 高性能润滑剂，支持操作温度高达250°C

链条润滑剂为一种合成链条润滑油，即使在较高工作温度下仍可保证可靠润滑。润滑油具有优异的耐压性和抗磨损性能，在高温条件下蒸发速率仍维持在较低水平。

技术参数：

基础油	合成
颜色	黄色
粘度	40°C时大约100 mm ² /s
密度	约为0.91
工作温度	0°C至250°C

EL-2 评级食用级别润滑剂 EL-2 FDA H1

润滑剂专门开发用于满足食品行业特定需求。除具备高压吸收能力外，该润滑剂产品具有防水特性，无臭无味，具有针对性地提供防腐蚀保护。

技术参数：

基础油	合成
颜色	无色
粘度	40°C时大约36 mm ² /s
密度	约为0.83
工作温度	-60°C至+150°C

EL-3 矿物油基长寿命润滑剂

EL-3是专门设计的矿物润滑剂，含有特殊的添加剂，可改善附着并显著降低油滴或飞溅的风险。链条润滑剂EL-3也会渗入水分，从而大大提高防腐性能。

技术参数：

基础油	矿物油
颜色	褐色
粘度	40°C时大约460 mm ² /s
密度	约为0.89
工作温度	-5°C至+120°C

EL-1 High-performance lubricant for operating temperatures up to +250 °C

The EL-1 chain lubricant is a synthetic chain oil that provides reliable lubrication even at high operating temperatures. This lubricant is characterized by excellent pressure resistance and anti-wear properties, as well as by a low evaporation rate at high temperatures.

Technical data:

Base oil	Synthetic
Colour	Yellow
Viscosity	Approx. 100 mm ² /s at +40 °C
Density	Approx. 0.91
Operating temperature	0 °C to +250 °C

EL-2 FDA H1-rated food-grade lubricant

The EL-2 lubricant has been developed specially to meet the particular needs of the food industry. As well as having a high pressure absorption capacity, it is water-resistant, odourless, tasteless and provides targeted protection against corrosion.

Technical data:

Base oil	Synthetic
Colour	Colourless
Viscosity	Approx. 36 mm ² /s at +40 °C
Density	Approx. 0.83
Operating temperature	-60 °C to +150 °C

EL-3 Mineral oil-based long-life lubricant

EL-3 is a purpose-designed mineral lubricant with special additives that improve adhesion and significantly reduce the risk of oil drops or splashes. Chain lubricant EL-3 also infiltrates moisture, resulting in greatly improved corrosion protection.

Technical data:

Base oil	Mineral oil
Colour	Brown
Viscosity	Approx. 460 mm ² /s at +40 °C
Density	Approx. 0.89
Operating temperature	-5 °C to +120 °C

EL-4 合成高温油

EL-4是一种合成高温润滑油。EL-4确实在混合摩擦的关键领域中独树一帜，是延长链条使用寿命的有效手段。润滑剂EL-4的一个突出特点是可用于极大的温度范围。

技术参数：

结构	合成
颜色	红褐色
粘度	100°C时大约225 mm ² /s
密度	约为0.94
工作温度	-25°C至+250°C

EL-5 合成特氟龙长寿命润滑剂，用于高温应用

EL-5可确保在高温和大负荷下长期润滑。EL-5不含溶剂，在高温下可完全渗透到所有链环和轴承中，即使在低温下也可提供可靠润滑。

技术参数：

结构	与特氟龙添加剂合成
颜色	混浊/黄褐色
粘度	40°C时大约445 mm ² /s
密度	0,995
工作温度	-10°C至250°C

EL-7 FDA H1 级食品级润滑油，具有更高的粘度

EL-7 | OFG-40 润滑油是专为满足食品工业的特殊需求而开发的。它不仅具有较高的压力吸收能力，而且无臭无味。

技术参数:

结构	酯类油
颜色	无色
粘度	40°C时约144mm ² /s
密度	0,85
工作温度	零下40°C至200°C

EL-4 Synthetic high-temperature oil

EL-4 is a synthetic high-temperature lubricating oil. EL-4 really comes into its own in the critical area of mixed friction, where it is an effective means of extending chain service life. One outstanding feature of lubricant EL-4 is that it can be used over an extremely broad temperature range.

Technical data:

Structure	Synthetic
Colour	Reddish-brown
Viscosity	Approx. 225 mm ² /s at +100 °C
Density	Approx. 0.94
Operating temperature	-25 °C to +250 °C

EL-5 Synthetic Teflon long-life lubricant for high-temperature applications

EL-5 ensures long-term lubrication at high temperatures and heavy loads. EL-5 contains no solvents, penetrates thoroughly into all chain joints and bearings at high temperatures and provides reliable lubrication even at low temperatures.

Technical data:

Structure	Synthetic with Teflon additives
Colour	Cloudy / yellowish-brown colour
Viscosity	Approx. 445 mm ² /s at +40 °C
Density	0,995
Operating temperature	-10 °C to +250 °C

EL-7 FDA H1 rated food grade lubricant with higher viscosity

The EL-7 | OFG-40 lubricant has been developed specially to meet the particular needs of the food industry. As well as having a high pressure absorption it is odour- and tasteless.

Technical data:

Structure	Ester oil
Colour	Colorless
Viscosity	Approx. 144 mm ² /s at +40 °C
Density	0.85
Operating temperature	-40 °C to +200 °C

推荐二次润滑剂

Recommended re-lubricants

VP6 伊维氏 VP6-Kombi superplus 喷雾剂

伊维氏 VP6-Kombi superplus 喷雾剂为高附着性高温链条润滑油，适用于多种工业链条应用项目。

优势：

- 卓越的高温稳定性
- 低挥发性
- 优越的粘合性能
- 高粘度和良好渗透性的完美结合
- 超强耐磨保护

技术参数：

基础油	合成烃油
颜色	绿色，透明
粘度	40°C时大约1800~2200 mm ² /s
工作温度	0°C至250°C

VP8 iwis VP8 FoodPlus 喷雾剂

是一种用于食品行业链条的再润滑剂。它在食品工业中应用广泛，具有出色的耐磨保护性能、宽泛的温度范围和食品认证

技术参数:

基础油	含 PTFE 的全合成高性能油
颜色	白色/米色
粘度	40°C时110mm ² /s
密度	约0.85 g/cm ³
工作温度	零下35°C至135°C

VP6 iwis VP6 Kombi Superplus Spray

The iwis VP6 Kombi Superplus Spray is a high-adhesion, high temperature chain oil for diverse industrial chain applications.

Advantages:

- Very high temperature stability
- Low evaporation
- Very good adhesion properties
- Good penetration despite high viscosity
- Extremely high wear protection

Technical data:

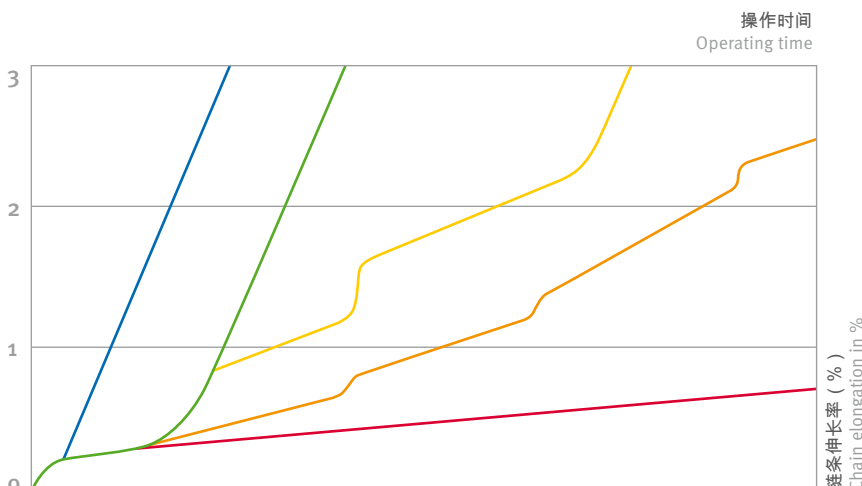
Base oil	Synthetic hydrocarbon oil
Colour	Green, transparent
Viscosity	Approx. 1800-2200 mm ² /s at +40 °C
Operating temperature	0 °C to +250 °C

VP8 iwis VP8 FoodPlus Spray

VP8 FoodPlus Spray is a re-lubricant for chains in food applications. It serves a wide range of applications in the food industry thru outstanding wear protection properties, combined with a wide temperature range and food certificates.

Technical data:

Base oil	fully synthetic high-performance oil with PTFE
Colour	white/beige
Viscosity	110 mm ² /s at +40 °C
Density	Approx. 0.85 g/cm ³
Operating temperature	-35 °C to +135 °C



干燥运转：
链条未进行初始润滑和二次润滑
Dry running:
Chain without initial and re-lubrication

初始润滑但不进行二次润滑
Initial lubrication without re-lubrication

二次润滑周期太长：
偶尔出现干燥运转
Re-lubrication interval too long: occasional dry-running

典型手动再润滑
Typical manual re-lubrication

最佳再润滑或免维护链条
Optimum re-lubrication or maintenance free chains



高精度链条



链条工程



平顶链



模块化皮带



滚子链和传送链



板式链



农机链



链轮和传动部件



传动链和输送链



传送滚子链



您可以访问网址 iwis.com/downloads
下载我公司产品目录图册。

分支机构

Our subsidiaries

德国

Germany

iwis antriebssysteme GmbH & Co. KG
Albert-Roßhaupter-Straße 53
81369 München
Tel. +49 89 76909-1600
Fax +49 89 76909-1198
sales@iwis.com

德国

Germany

iwis antriebssysteme GmbH
Essener Straße 23
57234 Wilnsdorf
Tel. +49 2739 86-0
Fax +49 2739 86-22
sales-wilnsdorf@iwis.com

德国

Germany

iwis agrisystems
Schützenweg 5
36205 Sontra
Tel. +49 5653 9778-0
Fax +49 5653 9778-26
agrisystems@iwis.com

巴西

Brazil

iwis Sistemas de Transmissão
de Energia Mecânica Ltda.
Rua Bento Rosa, nº 1816
Bairro Hidráulica
95.900-000 Lajeado, RS
Tel. +55 51 3748-7402
salesbrazil@iwis.com

中国

China

iwis drive systems (Suzhou) Co., Ltd.
No. 266 LvliangShan Road
215153 Suzhou SND
Tel. +86 512 8566-3020
Fax +86 512 8566-3009
sales-cn@iwis.com

法国

France

iwis antriebssysteme GmbH
10 rue du Luxembourg
69330 Meyzieu
Tel. +33 4374515-70
Fax +33 4374515-71
sales-fr@iwis.com

英国

Great Britain

iwis drive systems Ltd.
Unit 8c Bloomfield Park
Bloomfield Road, Tipton
West Midlands, DY4 9AP
Tel. +44 12 15213600
Fax +44 12 15200822
salesuk@iwis.com

印度

India

iwis drive systems India Pvt. Ltd.
„Anisha“, Unit No3, SR. No. 84/1
Regency Cosmos, Baner Mahalunge Road,
Opposite to Amruta Hotel
Baner, Pune, Maharashtra-411045
Tel. +91 20 67110305
salesin@iwis.com

意大利

Italy

iwis drive systems Srl
Via Carlo Rota, 10
20090 Monza (MB)
Tel. +39 340 9296142
Fax +49 89 7690949-1726
italia@iwis.com

加拿大

Canada

iwis drive systems, Inc.
101-19097, 26th Avenue,
Surrey BC V3Z 3V7
Tel. +1 604 560-6395
Fax +1 604 560-6397
salesca@iwisusa.com

韩国

South Korea

iwis korea Co., Ltd.
Kyungki-do bucheon si yangjiro 237
ZIP 14786, Bucheon
Tel. +82 32-341-7542
Fax +82 32-341-7546
saleskor@iwis.com

瑞士

Switzerland

iwis AG Kettentechnik
Bahnweg 4 (Postfach)
5504 Othmarsingen
Tel. +41 62 8898999
Fax +41 62 8898990
info@iwis-ketten.ch

斯堪的纳维亚

Scandinavia

iwis Scandinavia
Tel. +45 31 390819
salesscandic@iwis.com

捷克

Czechia

iwis antriebssysteme spol. s r.o.
Přísecká 893
38601 Strakonice
Tel. +420 383 411811
Fax +420 383 321695
salescz@iwis.com

土耳其

Turkey

iwis tahrik sistemleri ltd. sti.
Aydınlı - BİRLİK Org. San. Bol.
5. Sokak No. 18/Z1
34953 Tuzla-Istanbul
Tel. +90 216 912 4947
salestr@iwis.com

美国

USA

iwis drive systems, LLC
3581 South 450 East
Whitestown, IN 46075
Tel. +1 317 821-3539
Fax +1 317 821-3569
sales-us@iwis.com

www.iwis.com

销售代表
Your sales representative

iwis
wir bewegen die welt

