



Deep link power and free conveyor chain

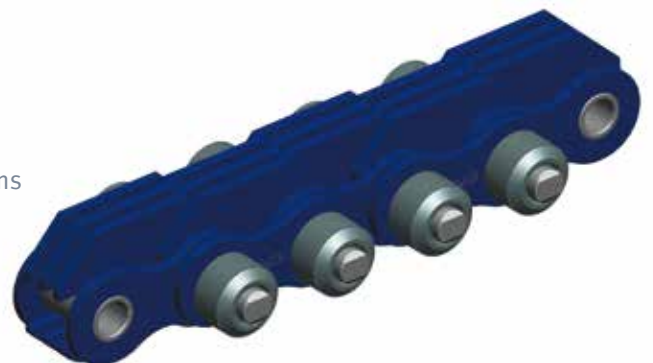
iwis deep link power and free conveyor chains – the optimum solution for conveyor system construction. Unlike standard power and free conveyor chains, deep link chains **can overcome gradients** and have a larger surface area, making them suitable for the **stable transportation of heavy loads**.

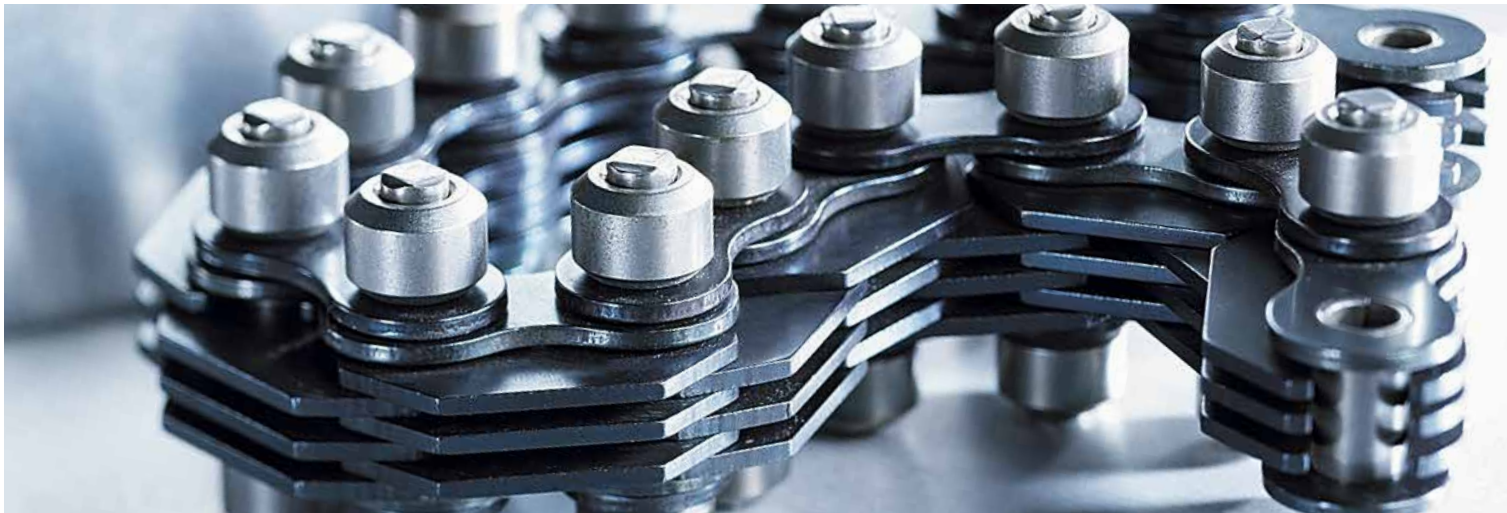
Highlights

- Extremely robust power and free conveyor chain as an alternative to standard accumulation chains
- Suitable for same application profiles as accumulation chains
- Compatible with all guide systems
- Larger load-bearing surface than roller chains with straight attachment plates
- Workpieces can be conveyed with or without workpiece carrier
- Conveyor plates ensure optimum load distribution on guide systems
- Stable transport of all loads, regardless of weight
- No relative movement between chain and load
- Can overcome gradients

Areas of application

- Modular transfer systems for production and assembly lines with high demands on the position of the conveyor goods
- Flexible conveyor systems, Conveyor carousels





Technical dimensions

Ref. no. iwis	Pitch p (mm)	Chain width B (mm)	e (mm)	Width b ₁ (mm) max.	b ₂ (mm)	b ₄ (mm)	Overall height G (mm)	Deep link roller		Pin d ₁ (mm)	Weight (kg/m)
								b ₃ (mm)	Transport roller d ₂ (mm)		
M127SFTLK-B40-SR	19,05	40,5	27,5	11,1	15,44	19,55	22,5	13,5	12,07	5,72	2,8
M127SFTLK-B40-LR	19,05	40,5	27,5	11,1	15,44	19,55	22,5	13,5	12,07	5,72	2,8
M127SFTLK-B48-SR	19,05	48,0	31,5	11,1	15,44	19,55	24,5	13,5	12,07	5,72	3,2

iwis product programme

- Sizes available: ¾"
- Attachment plates optimized for wear
- Available with steel rollers or light-running rollers (SR or LR)
- **Maintenance-free conveyor chains** available on request

